

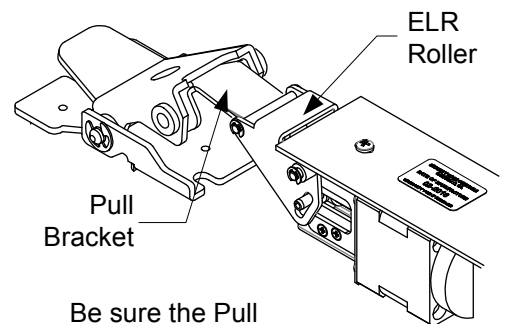
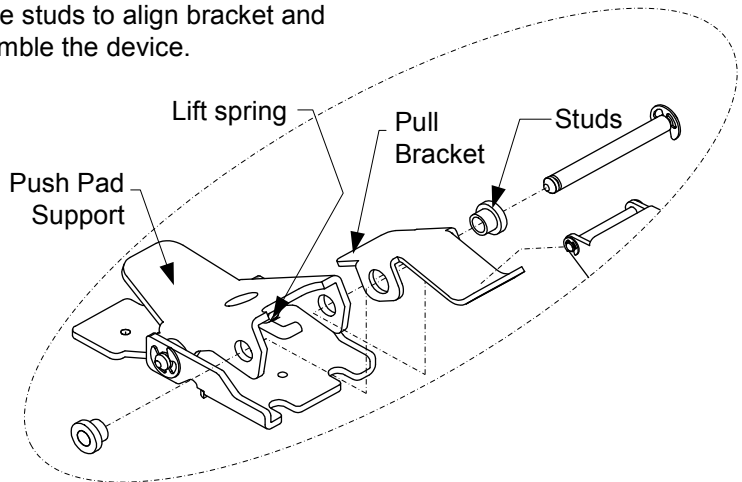
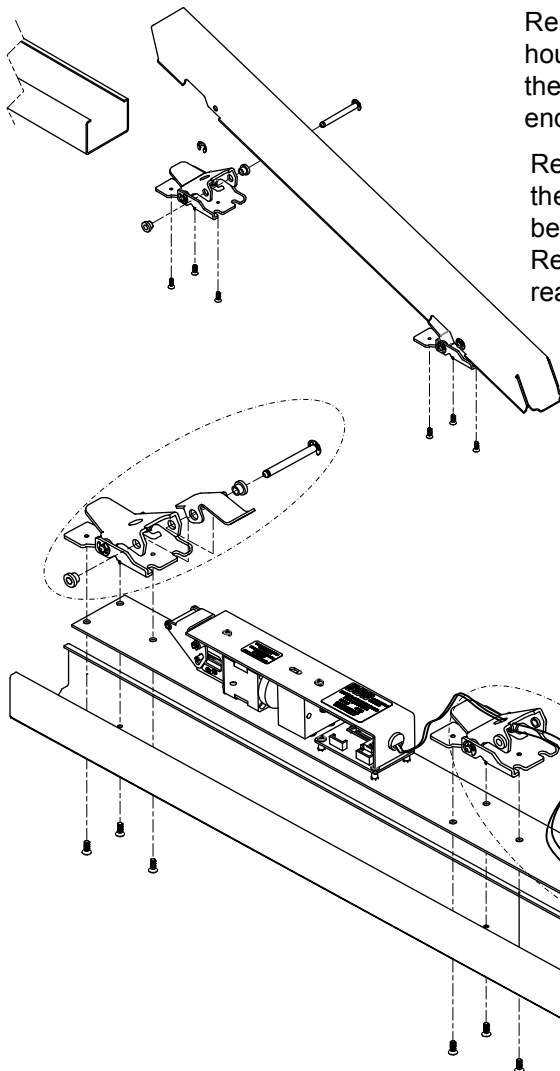
# SDC Security Door Controls

801 Avenida Acaso, Camarillo, Ca. 93012 • (805) 494-0622 •  
 www.sdcsecurity.com • E-mail: service@sdsecurity.com

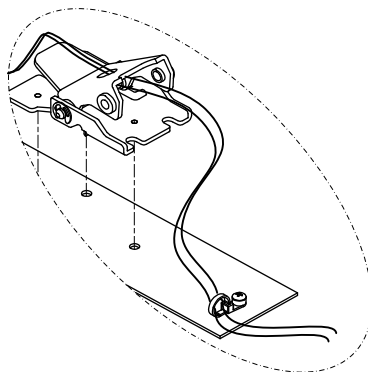
## INSTALLATION INSTRUCTIONS LR100AWK-ED910

Remove and discard Dogging components.  
 Remove the screws from the bottom of the housing and slide the push bar assembly from the housing and dis-assemble the front (head) end by removing the E-ring and pin as shown.

Remove studs on each side and lift the spring to insert the Pull Bracket between the Push Pad support.  
 Replace studs to align bracket and reassemble the device.



Route wires through hinge assembly then out through cable tie where shown. Tighten cable tie and cut off excess.



Be sure the Pull Bracket is installed UNDER the ELR roller.

**ELECTRICAL DATA**  
 24VDC @ 700/200mA  
 RED (+)      BLK (-)  
 PATENT #8,851,530  
 PATENT PENDING

Any suggestions or comments to this instruction or product are welcome. Please contact us through our website or email [engineer@sdsecurity.com](mailto:engineer@sdsecurity.com)