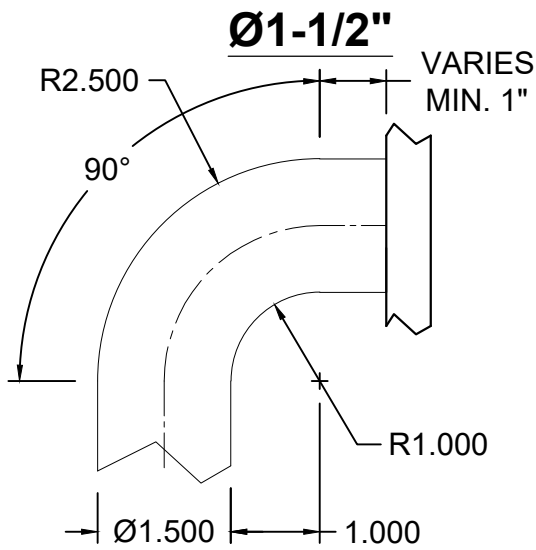
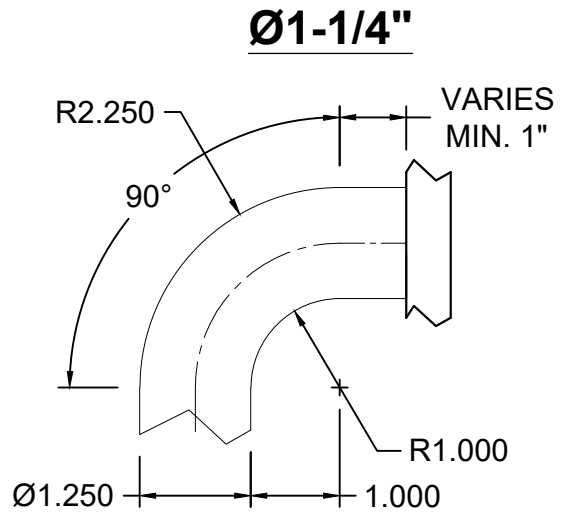
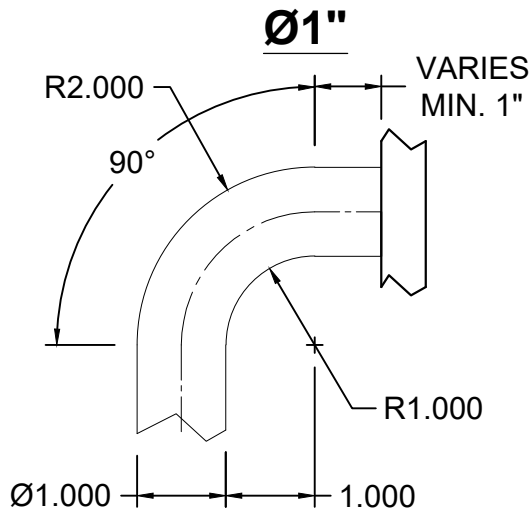
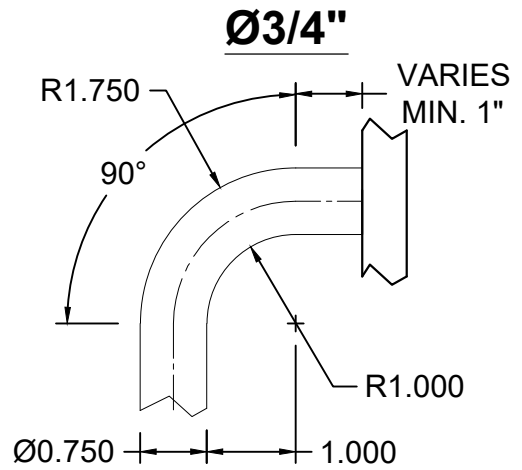
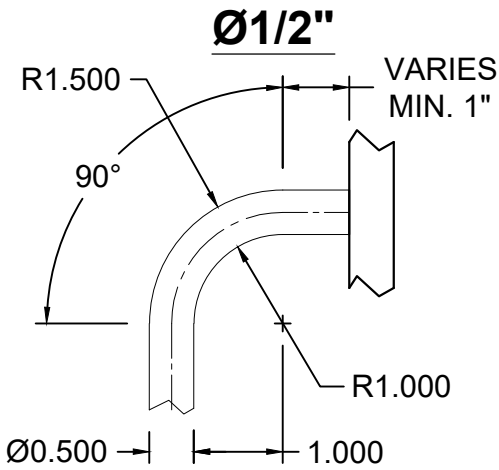


LADDER PULL SOLID BAR OPTION SIZES



**MATERIAL TO BE:
STAINLESS STEEL
ALUMINUM
BRASS**

LADDER PULL SOLID BAR OPTION SIZES-00.DWG