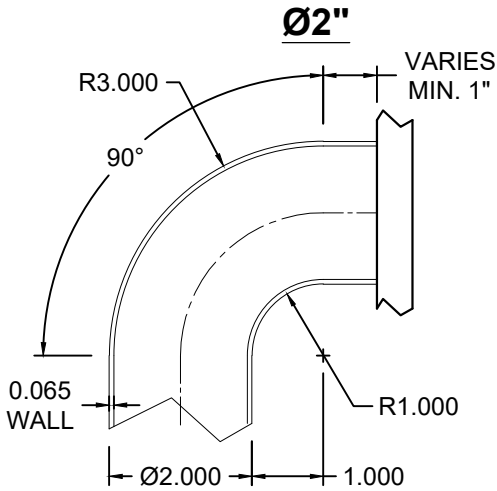
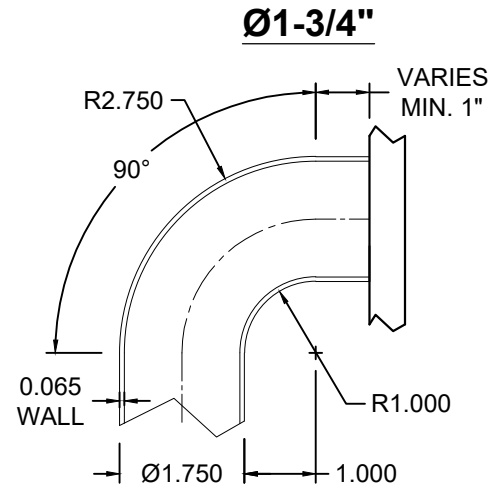
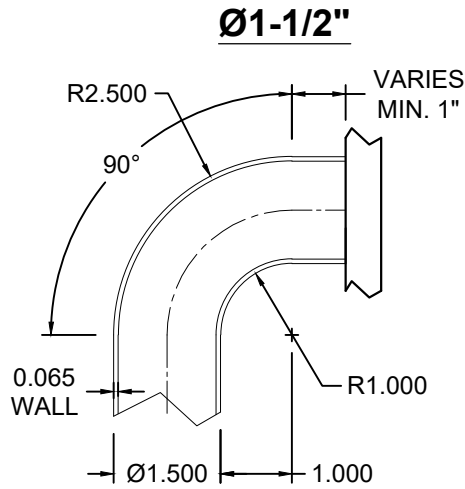
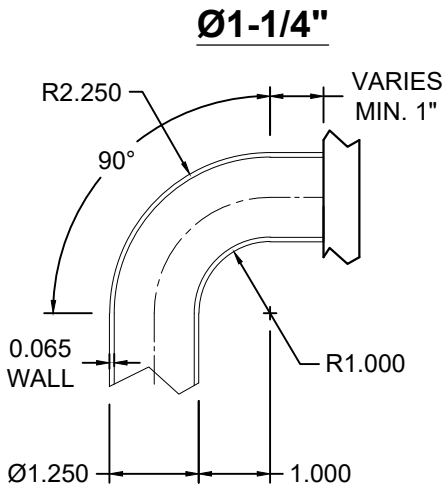
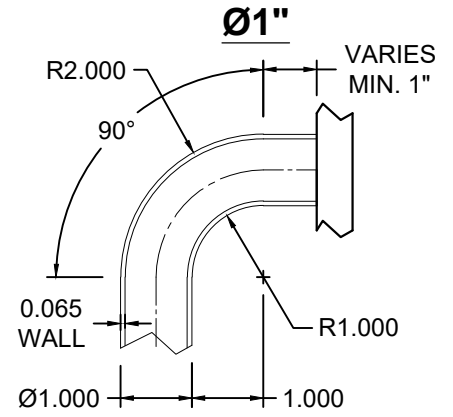
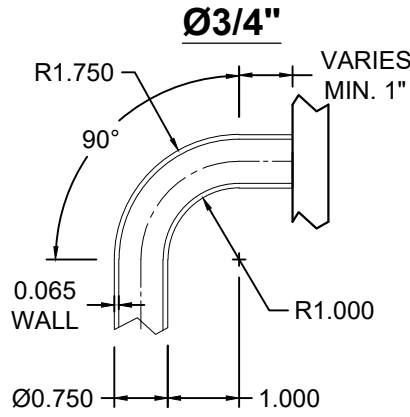
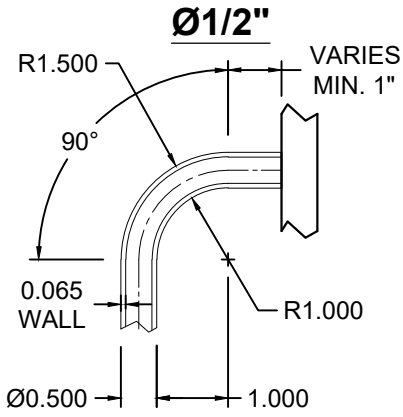


# LADDER PULL TUBE OPTION SIZES



**MATERIAL TO BE:**  
**STAINLESS STEEL**  
**ALUMINUM**  
**BRASS**

LADDER PULL TUBE OPTION SIZES-00.DWG