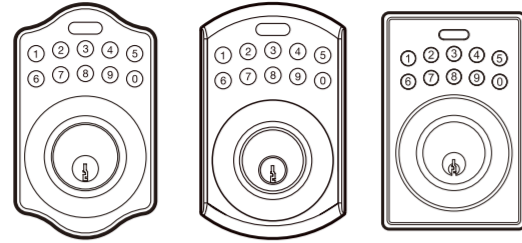


ELECTRONIC DEADBOLT

Installation Guide



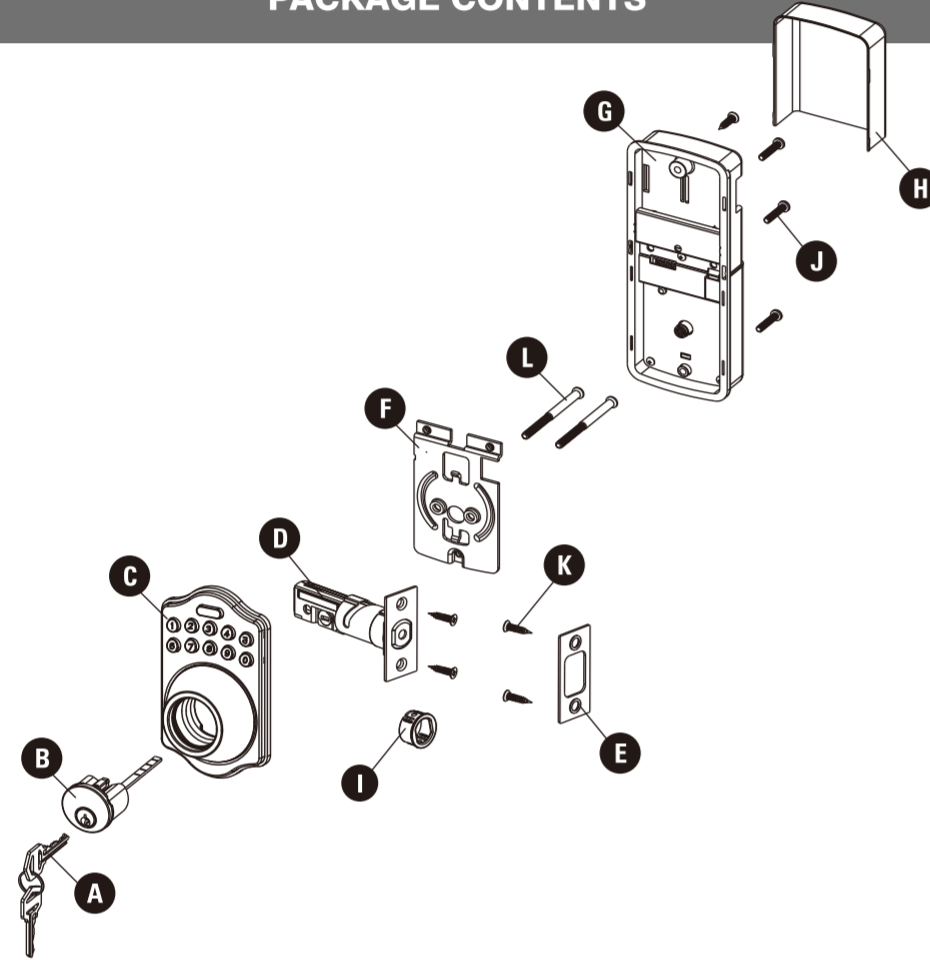
WARNING

Do not use an electric screwdriver during installation.

WARNING

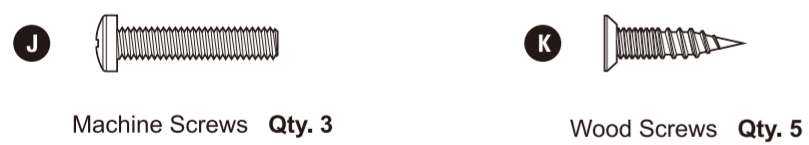
This Manufacturer advises that no lock can provide complete security by itself. This lock may be defeated by forcible or technical means, or evaded by entry elsewhere on the property. No lock can substitute for caution, awareness of your environment, and common sense. Builder's hardware is available in multiple performance grades to suit the application. In order to enhance security and reduce risk, you should consult a qualified locksmith or other security professional.

PACKAGE CONTENTS



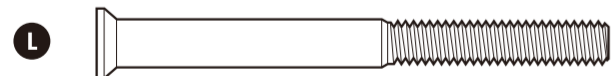
Part	Description	Quantity	Part	Description	Quantity
A	Key	2	E	Strike Plate	1
B	Cylinder	1	F	Mounting Plate	1
C	Deadbolt Keypad Assembly	1	G	Receiver Assembly	1
D	Deadbolt Latch	1	H	Battery Cover	1
			I	Drive-in Sleeve (Optional)	1

HARDWARE SCREWS CONTENTS



Machine Screws Qty. 3

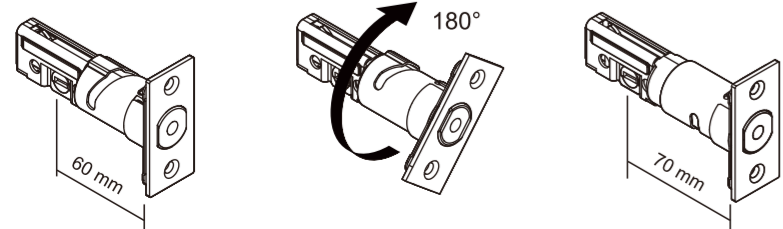
Wood Screws Qty. 5



Deadbolt Chassis Screws Qty. 2

LATCH ADJUSTMENT

Determine if the latch needs to be adjusted to the 2-3/4" (70 mm) backset. To adjust, rotate the latch until it stops. Reverse the direction to return to the 2-3/8" (60 mm) backset.



2-3/8" (60 mm)

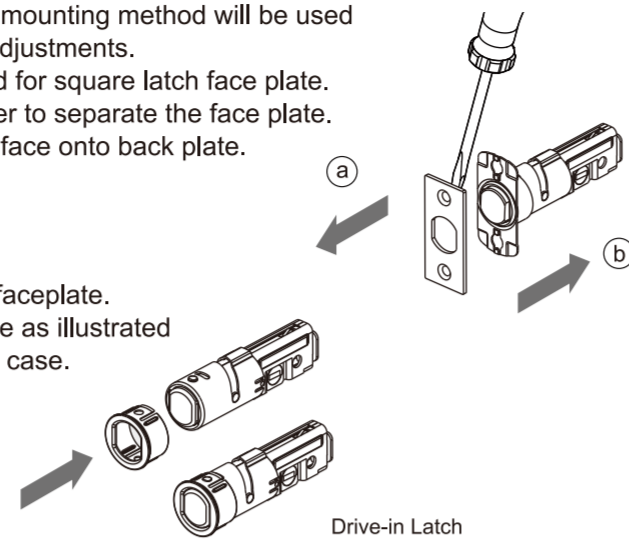
2-3/4" (70 mm)

CHANGE LATCH FACE

Determine which latch mounting method will be used and make necessary adjustments. No adjustment required for square latch face plate.
a. Use a flat screwdriver to separate the face plate.
b. Snap selected latch face onto back plate.

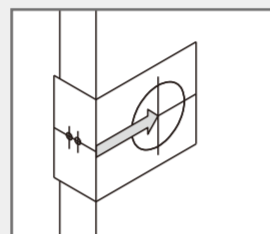
Drive-in Installation

Remove original latch faceplate. Align the drive-in sleeve as illustrated and snap into the latch case.



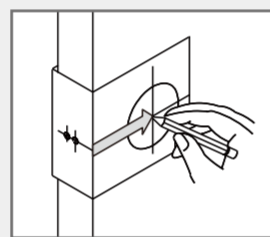
Drive-in Latch

1 Backset Determination



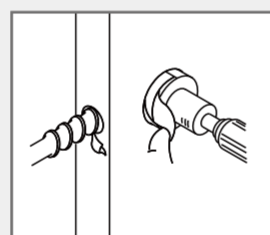
Backset is a distance from door edge to centre of hole on door face. Adjustable latch fits both backset of 2-3/8" (60 mm) and 2-3/4" (70 mm).

2 Mark the Door with Template



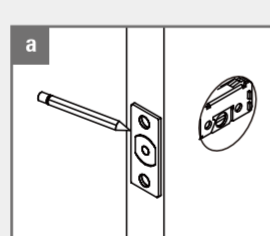
Select the height and backset as desired on the door face; use the TEMPLATE as an indication to mark the centre of the circle on the door face and the centre of the door edge.

3 Drill Holes



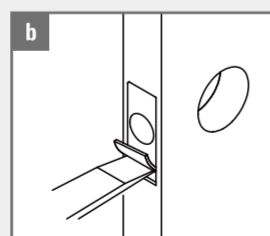
Using the marks as a guide to drill a hole Ø2-1/8" (54 mm) through the door face for the lockset, then a hole of Ø1" (25.4 mm) for latch.

4 Install Latch

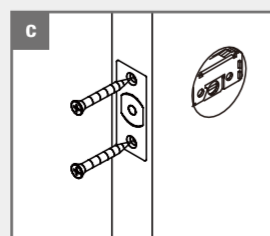


Insert the latch and ensure it is parallel to the door face. Mark the outline of the faceplate, then take out the latch.

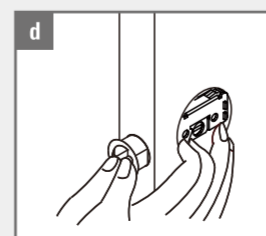
You need to stay this way up when inserting the latch.



Chisel 5/32" (4 mm) deep along the outline to allow the faceplate to be aligned with the door edge.

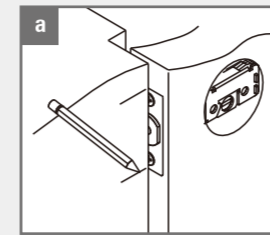


Insert the latch into the door. Use 2 wood screws to secure latch. Please do not fully tighten the screws until lock is completely installed.

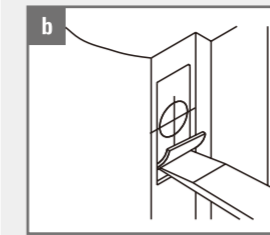


Install Drive-in Latch
Drive the latch into the hole on edge of door.

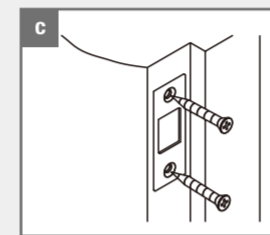
5 Install Strike



To identify the centre of strike: close the door to lay the latchbolt against the door frame. Mark the centre line on the doorframe exactly opposite the latch hole in the door edge.



Measure one half of door thickness from door stop and vertically mark centre line of strike. Drill 1" (25.4 mm) hole, 1" (25.4 mm) deep at intersection of horizontal and vertical line of strike.



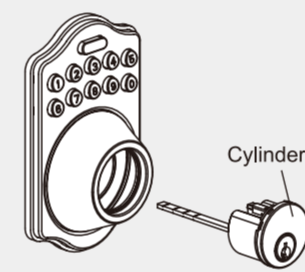
Install the strike plate into your door frame and tighten with wood screws.

Chisel 5/64" (2 mm) deep along the strike outline to allow the strike to be aligned with the doorframe.

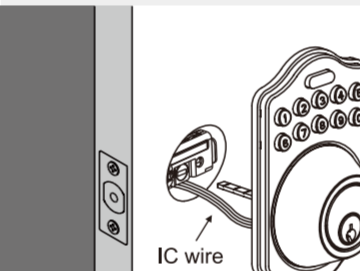
6 Install Keypad Assembly

Install cylinder into the deadbolt keypad assembly with tailpiece in horizontal position inserted through hub of the latch.

Pass the IC wire under the latch to the interior side of the door.

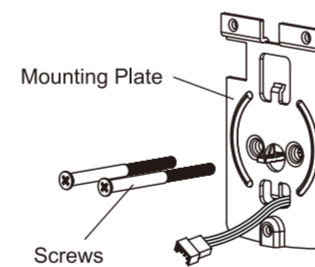


Cylinder



IC wire

7 Install Inside Mounting Plate



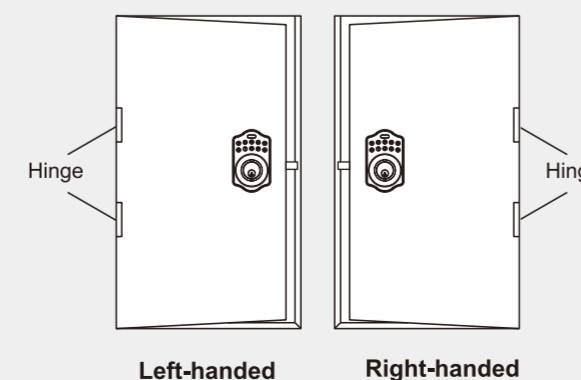
Mounting Plate

Screws

Pass the IC wire through the wire hole of the mounting plate. Fix the mounting plate with screws. If outside lock assembly is lopsided, please loosen the screws to adjust its position and tighten the screws again.

8 Identify Door Handing

Face the door from the outside. The door is left-handed if the hinges are on the left side of the door, whereas the door is right-handed if the hinges are on the right side of the door.



Left-handed

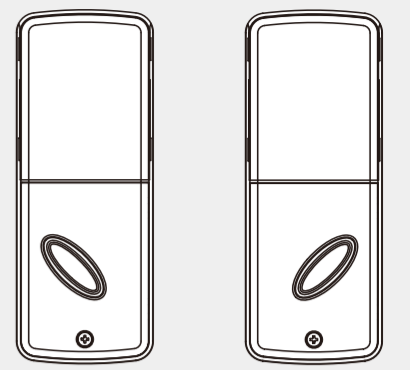
Right-handed

9 Adjust Thumb Turn Piece

Rotate the thumb turn piece to the LEFT at 45 degrees for right-handed doors.

Rotate the thumb turn piece to the RIGHT at 45 degrees for left-handed doors.

Note : The thumb turn piece is opposite to the latching side.

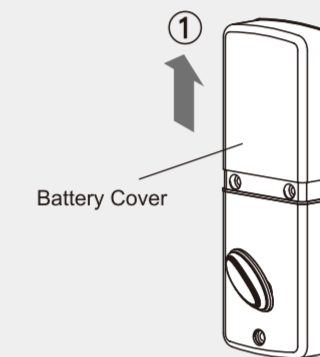


For right-handed door

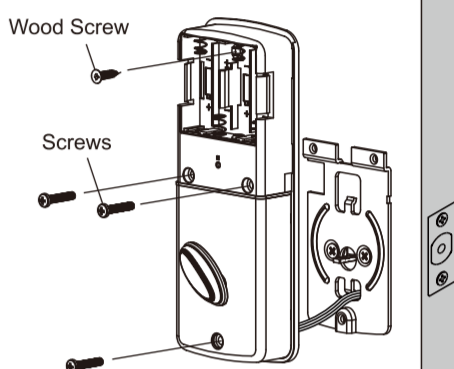
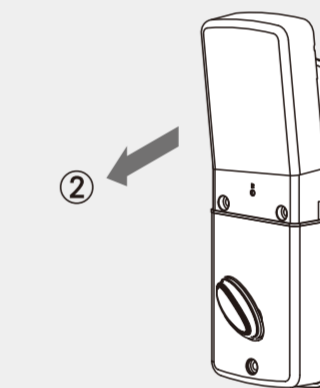
For left-handed door

10 Install Receiver Module

Remove the battery cover (push it up first then pull it out).



Battery Cover



Wood Screw

Screws

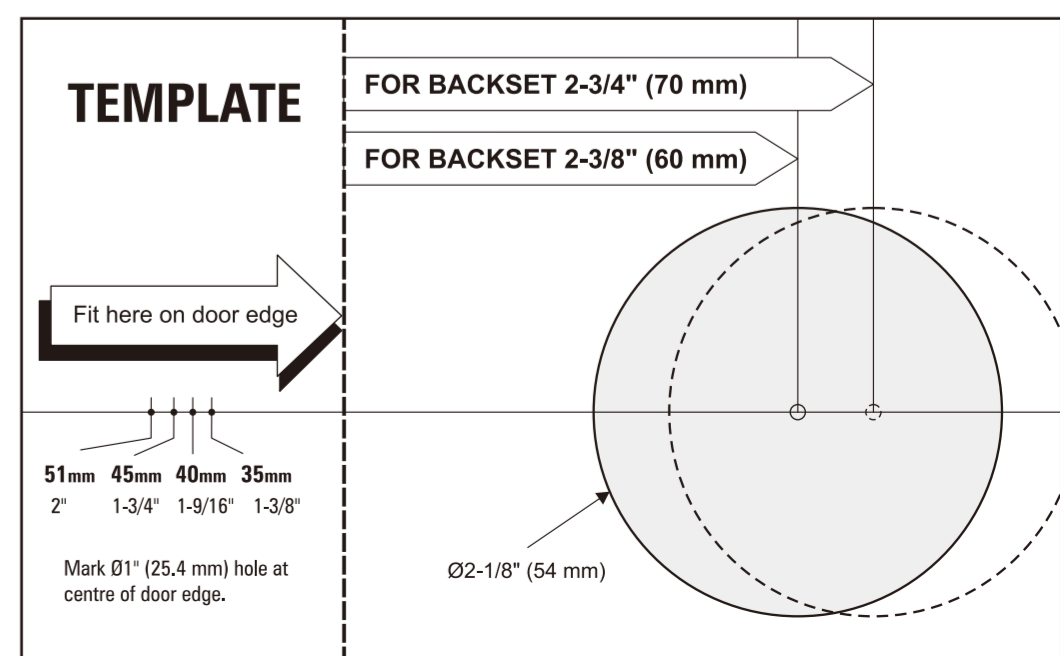
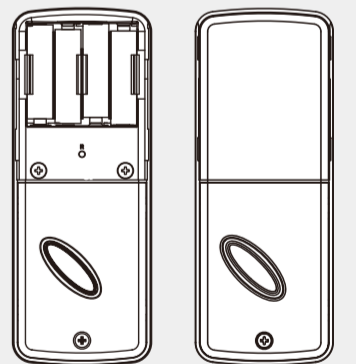
Connect the IC wire into the back of the receiver module. Ensure that the deadbolt tailpiece is engaged with turn piece, then attach receiver module to the door with screw. Use the optional wood screw to secure the receiver module to wood doors only.

11 Insert Batteries

Insert 4 (AA) 1.5 V alkaline batteries and slide the battery cover back onto the receiver module.

Remarks:

- (1) Alkaline batteries are recommended in order to stabilize the power supply. If you don't use alkaline, battery performance will be reduced greatly.
- (2) All settings will be retained in the memory even if the batteries are completely dead.



TEMPLATE

FOR BACKSET 2-3/4" (70 mm)

FOR BACKSET 2-3/8" (60 mm)

Fit here on door edge

51mm 45mm 40mm 35mm
2" 1-3/4" 1-9/16" 1-3/8"

Mark Ø1" (25.4 mm) hole at centre of door edge.

Ø2-1/8" (54 mm)