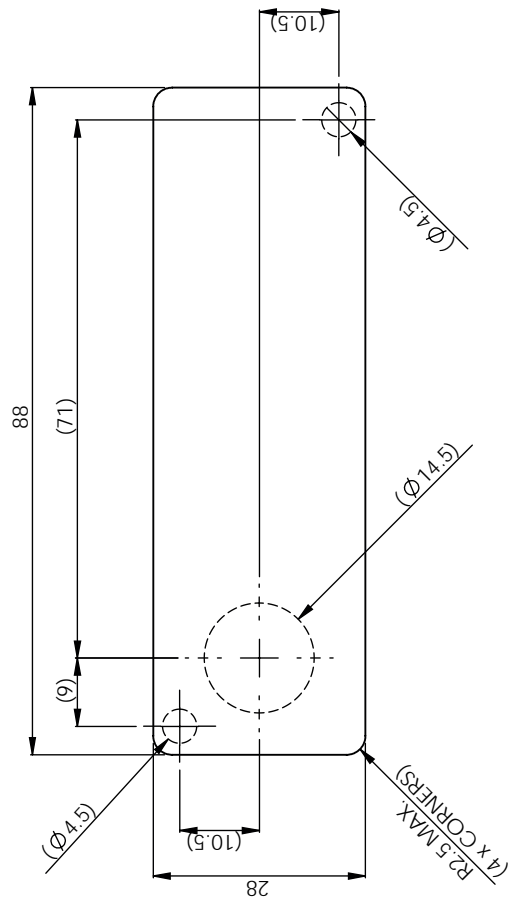


## Installation Template



### IMPORTANT NOTE

For flush fit option, use rectangular aperture (88mm x 28mm)  
For surface mount option, use 3 x hole positions

Please check that template is  
correct size before use -  
copies can be distorted

LockeyUSA  
4245 S. Lincoln Rd.  
Mt. Pleasant, MI  
48858

T: 888.395.0163  
F: 989.772.1936  
E: info@lockeyusa.com  
W: www.lockeyusa.com

**LOCKEY**  
**USA**

**LOCKEY**  
**USA**

INSTALLATION  
INSTRUCTIONS

GM270 - Gemini  
Mechanical

[www.lockeyusa.com/GM270](http://www.lockeyusa.com/GM270)

# INSTALLATION INSTRUCTIONS

## GM270 - Gemini Mechanical

The Gemini can be installed in two ways:

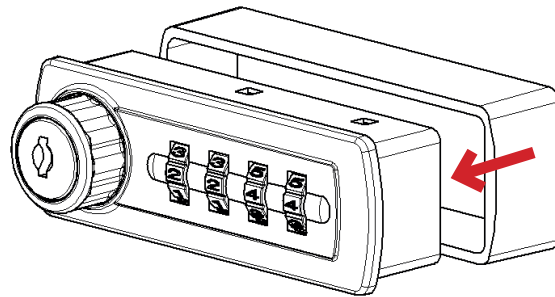
- Surface Mount
- Flush Mount

### Surface Mount

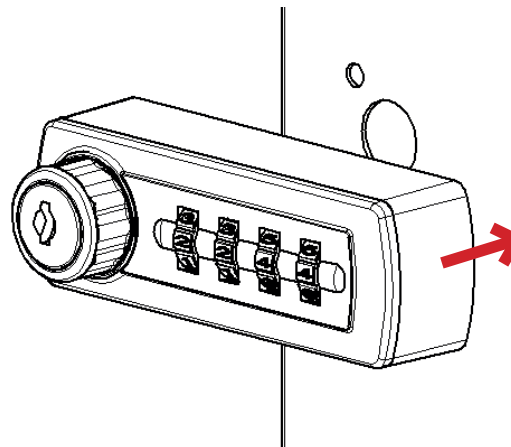
- Step 1** Remove all packaging.
- Step 2** Fit the surface mount sleeve to lock as shown in Picture 1.
- Step 3** Position the lock on the outside of the door as shown in Picture 2.
- Step 4** Holding the lock in position, fit the 2 x M4 pan head screws (supplied with the surface mount sleeve) as shown in Picture 3.
- Step 5** Tighten the 2 x M4 screws to 1Nm.
- Step 6** Position the cam onto the rear of the lock as required, fit the cam washer and fixing screw as shown in Picture 6.
- Step 7** Tighten the cam fixing screw using a screwdriver to 1.5Nm. Take care not to damage the screw thread when fitting the screw.
- Step 8** Before closing the door, test the lock by selecting the correct User Code and rotating 90°.
- Step 9** Your lock should now be ready to use.

### Flush Mount

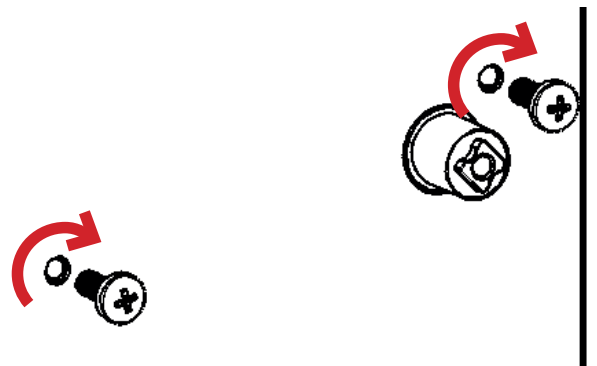
- Step 1** Remove all packaging.
- Step 2** Position the lock on the outside of the door as shown in Picture 4.
- Step 3** Holding the lock in position, fit the clamp box and 2 x M4 pan head screws (supplied with the clamp box) as shown in Picture 5.
- Step 4** Use a screwdriver to tighten the 2 x M4 screws to 1Nm.
- Step 5** Position the cam onto the rear of the lock as required, fit the cam washer and fixing screw as shown in Picture 6.
- Step 6** Tighten the cam fixing screw using a screwdriver to 1.5Nm. Take care not to damage the screw thread when fitting the screw.
- Step 7** Before closing the door, test the lock by selecting the correct User Code and rotating 90°.
- Step 8** Your lock should now be ready to use.



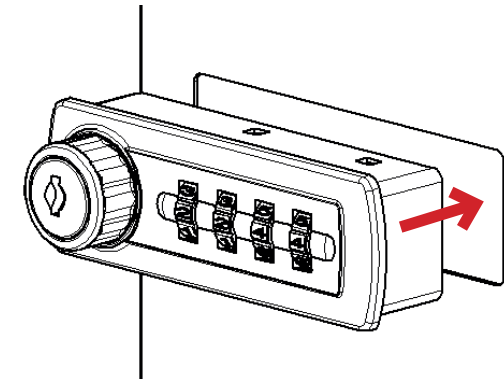
Picture 1.  
Fit surface mount sleeve to lock as shown.



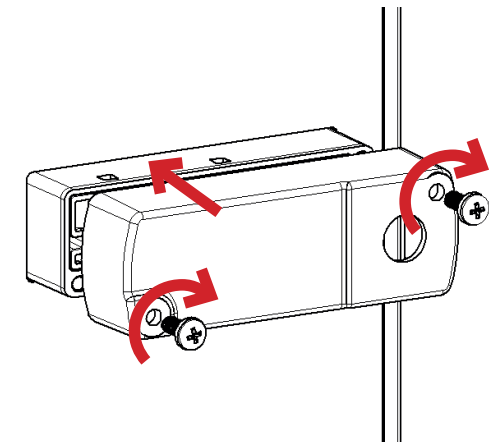
Picture 2.  
Position lock on door panel as shown.



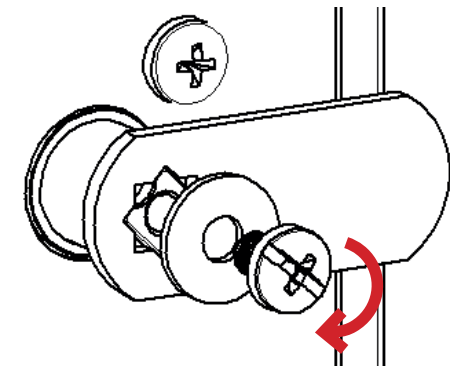
Picture 3.  
Fit 2 x M4 pan head screws as shown.



Picture 4.  
Position lock through door panel as shown.



Picture 5.  
Fit clamp box and 2 x M4 pan head screws as shown.



Picture 6.  
Fit cam, washer & screw. Tighten.