

# LOCKING LADDER PULL - HALF HEIGHT PULL ORDER FORM

ORDER DATE:  
 CUSTOMER NAME:  
 CUSTOMER P.O. #:  
 FINISH:  
 QUANTITY:  
 CUSTOMER SIGNATURE:

DBU (HALF HIGHT BOLT UP)      DBD (HALF HEIGHT BOLT DOWN)

FINISH:      US32D      US32      US3      US4      US10      US10B

CUSTOM POWDER COAT:

---

TOP MOUNTING POST CTC (LOCK POST) A:

OVERALL PULL LENGTH B:

---

DOOR TYPE:      GLASS      METAL      WOOD

DOOR THICKNESS:

POST END TO MOUNTING POST CENTER: (TYPICALLY 6")

LOCK END TO MOUNTING POST CENTER: (TYPICALLY 2-3/4")

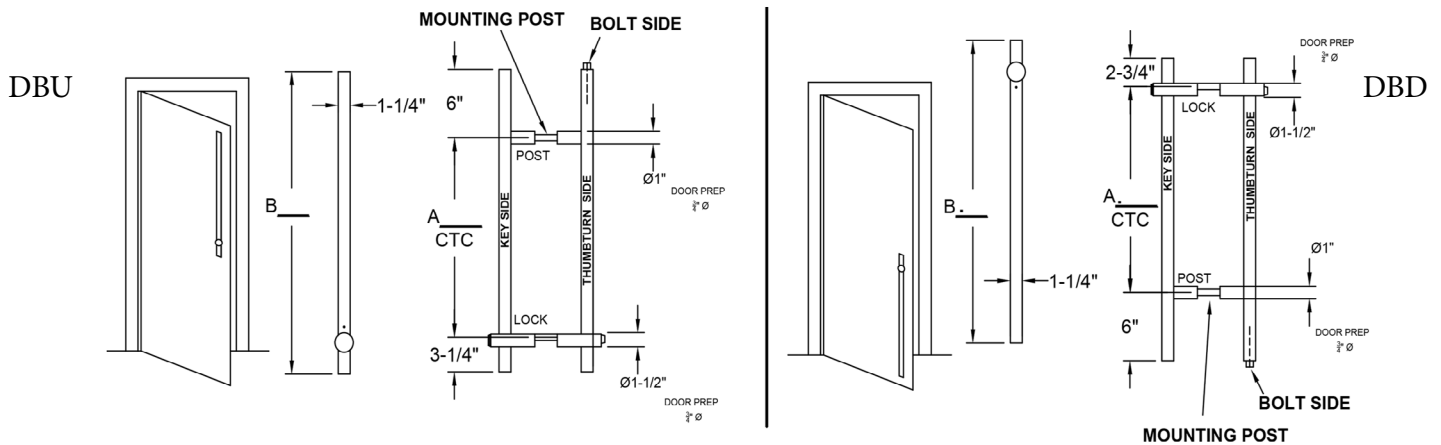
---

ENGRAVING TYPE:      PUSH      PULL

THUMBTURN TYPE:      STANDARD      ADA

CYLINDER TYPE:

- ABLC – Less Cylinder (Standard)
- ABRC – ABH Supplied Best Rim Cylinder Housing Only for SFIC Core
- ABSC – ABH Supplied Best Rim Cylinder with SFIC Construction Core



**NOTE: CYLINDER MUST BE LOCATED 34"-48" ABOVE FINISHED FLOOR TO MEET ADA REQUIREMENTS. CALIFORNIA ADA REQUIRES CYLINDER TO BE LOCATED 36"-46" ABOVE FINISHED FLOOR.**



E-mail: [sales@fcbp.com](mailto:sales@fcbp.com)  
 First Choice Building Products, LLC.  
 1222 Ardmore Avenue, Itasca 60143  
 800-793-4544 • FAX 800-867-5016 • [www.fcbp.com](http://www.fcbp.com)

- Download File
- Fill out form & Save
- SUBMIT
- Attach File & Send

Submit