

# Locking Ladder & Custom Pulls



# Features & Benefits



1870 Dustproof  
Bottom Strike



RM446  
Door Stop



ALLP1 Door Stop  
1 1/4" sq. x 4 1/2" h



ALLP2  
1 1/4" dia. x 4 1/2" h



ALLP31  
3/4" x 2 1/2" x 3"  
Rubber Stop



ALLP4  
3/4" x 1 1/2" x 3"



ALLP5  
.050" x 1 1/8" x 2 1/4"



Standard  
Thumbturn



Easy Accessible  
Thumbturn

## FEATURES

- Operates from outside, and inside turn piece
- Locking Options – Head (Top), Floor (Bottom), or Both (Top & Bottom)
  - Bolt Location – 2" from face of door.
- Bolt has 13/16" travel with minor adjustment
- Stainless Steel base material – All BHMA Finishes

## DOOR OPTIONS

- Glass 3/8" – 1"
- Aluminum 1-3/4" to 2-1/2"
- Wood or hollow metal 1-3/4" – 2-1/4"

## BENEFITS

- Glass door applications secure the opening without bulky patch fittings or rails
  - Bolt concealed inside pull provides a clean, streamlined look
  - Faster installation with simple door prep
- Requires only 2 holes for half height pulls, 3 holes for full-height
  - Custom shapes and sizes to fit you needs



# Cylinder Options



ABH Supplied Best  
RIM Cylinder  
with Construction Core



ABH Supplied Best  
RIM Cylinder  
Housing Only



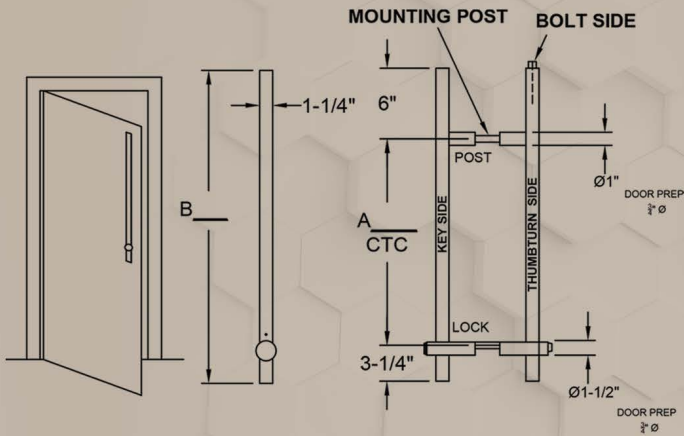
Less Cylinder  
(Standard)



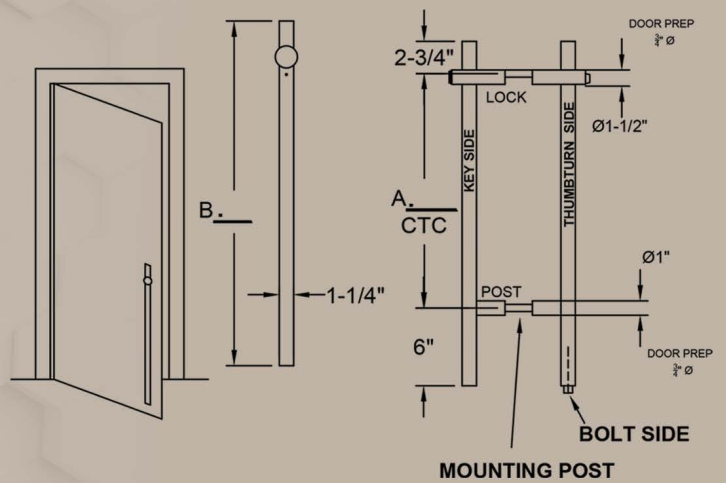
# Model Options

## Full & Half Height Pull Options

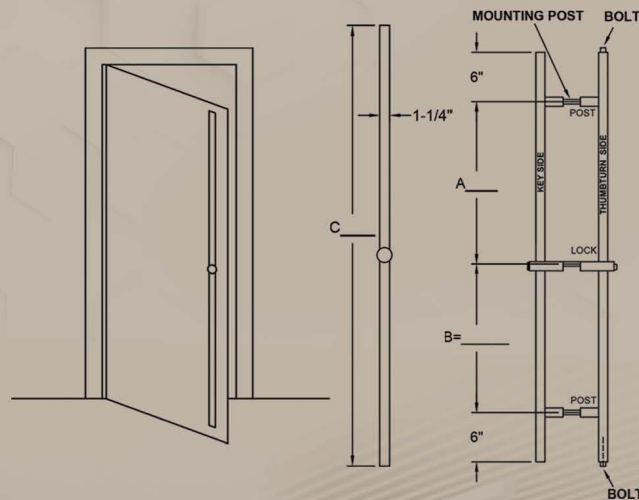
**HHBU - Half Height Pull - (Bolts Up)**



**HHBD - Half Height Pull - (Bolts Down)**



**FHBD, FHBU FHBUBD - Full Height Pull**  
(Bolts Up, Bolts Down, Bolts Down/Bolts Up)

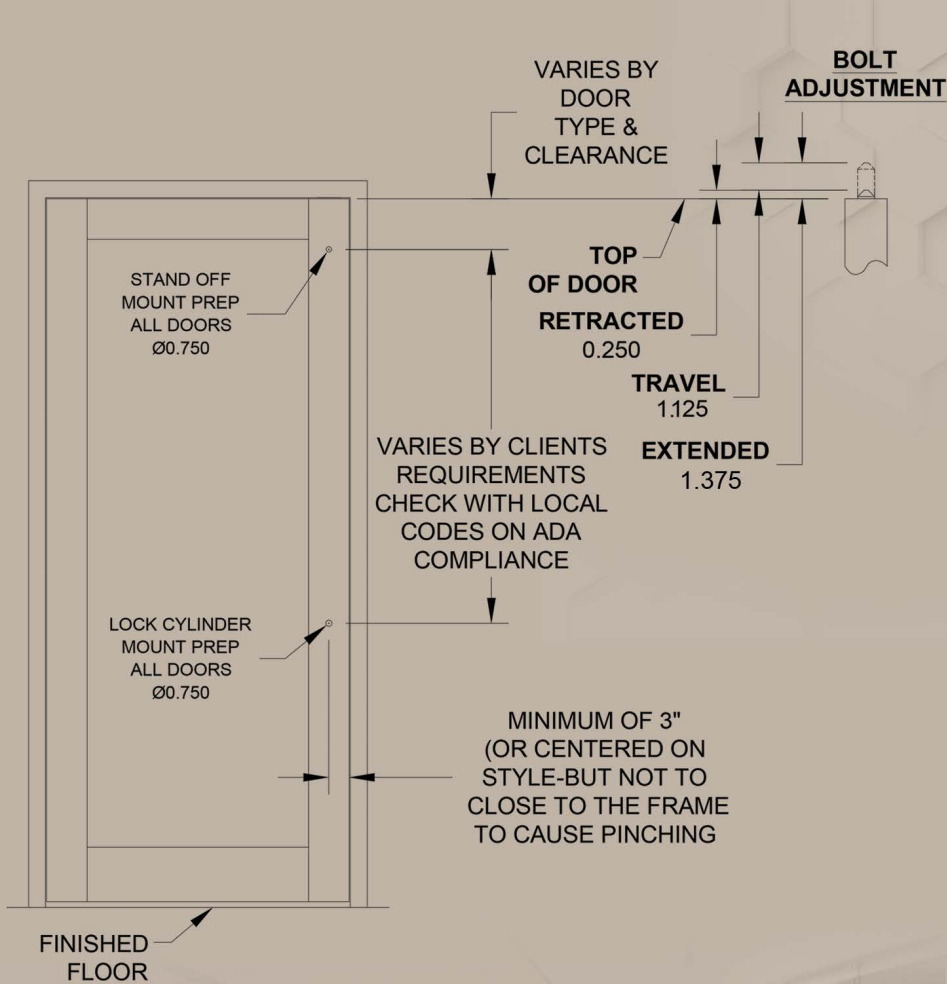


# Application Details

## How to Order - Example Below

### How to Order - Example Below

Qty.	Series	Suffix	Finish	Door Material	Door Thickness	Strike	Thumbturn	Cylinder
1	ALLP	HHBU	US32D	Glass	5/8"	1870	ADA	LC



#### BOLT OPTIONS

HHBU - Half Height Pull Bolts Up  
 HHBD - Half Height Pull Bolts Down  
 FHBU - Full Height Pull Bolts Up  
 FHBD - Full Height Pull Bolts Down  
 FHBUBD - Full Height Pull Bolts Up Bolts Down

#### CYLINDER OPTIONS

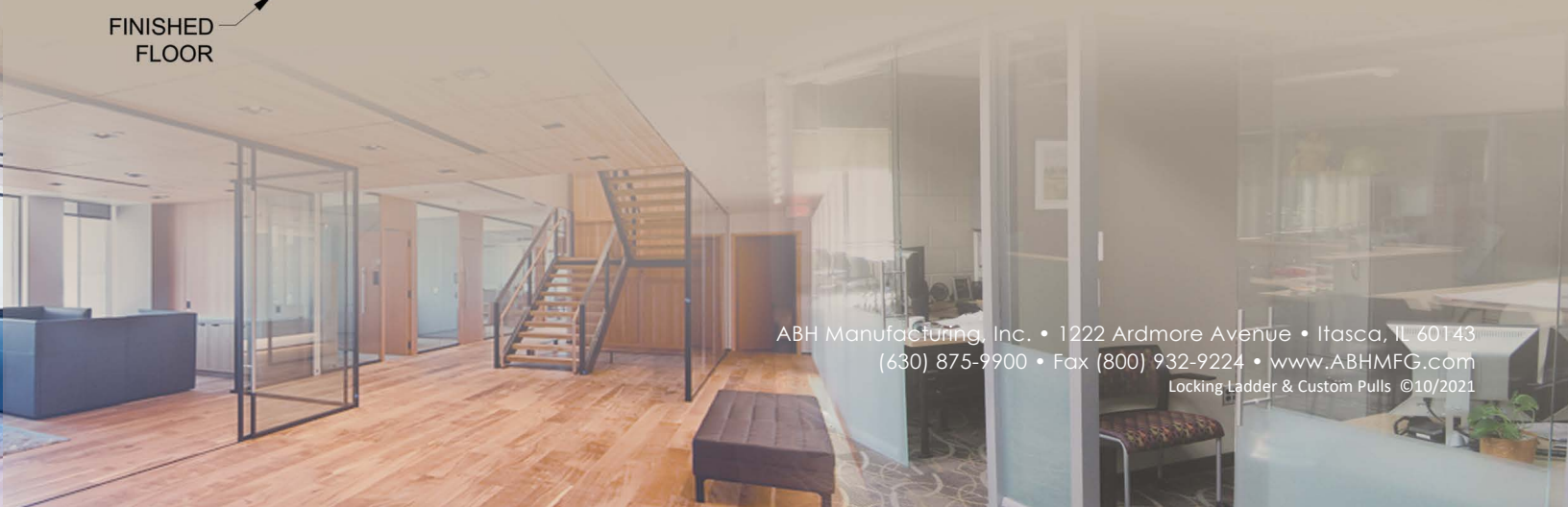
ABRC - ABH Supplied Best Rim Cylinder  
 ABCS - ABH Supplied Best SFIC Cylinder  
 LC - Less Cylinder

#### THUMBTURN, STRIKES & STOP OPTIONS

ADA - ADA Thumbturn  
 STD - Standard Thumbturn  
 RM446 - Door Stop  
 1867 - Dust proof Bottom Strike  
 ALLP1, ALLP2, ALLP3, ALLP4, ALLP5

#### FINISH OPTIONS

US3 - Bright Brass Clear Coated  
 US4 - Satin Brass Clear Coated  
 US10 - Satin Bronze Clear Coated  
 US10B - Dark Bronze Oxidized  
 US32 - Bright Stainless Steel  
 US32D - Satin Stainless Steel  
 \*Custom Finishes Available



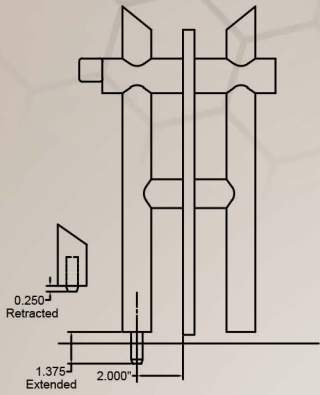
# Model Options

## Full & Half Height Pull Options

### *Glass Doors*

ABH provides the proper fasteners and washers for all the door applications to safely secure the pulls to the door

#### Locking Ladder Up or Down

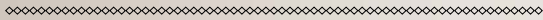
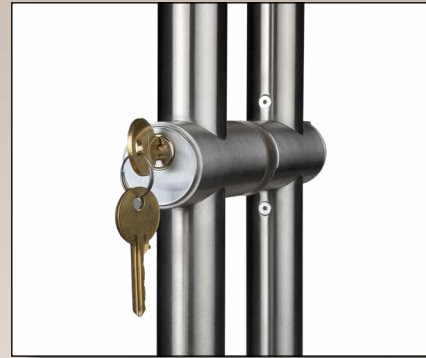


Bolt Projection Face of Door to Centerline of Bolt

#### HHBD/FHBD

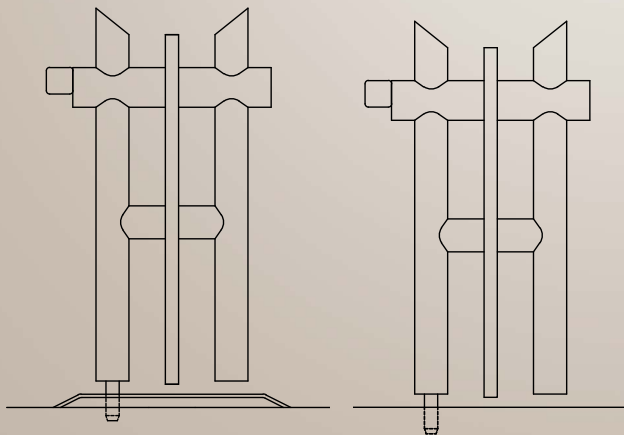
Without Threshold

When retracted bolt projects 1/4"  
When fully engaged bolt extends to 1-3/8"



#### Bolt Down Into Floor

*Typical configuration shown*

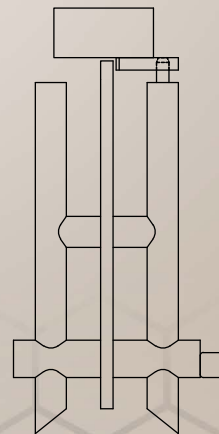


**HHBD/FHBD**  
With Threshold

**HHBD/FHBD**  
Without Threshold

#### Bolt Up Into Header

*Typical configuration shown*



**HHBU/FHBDU**



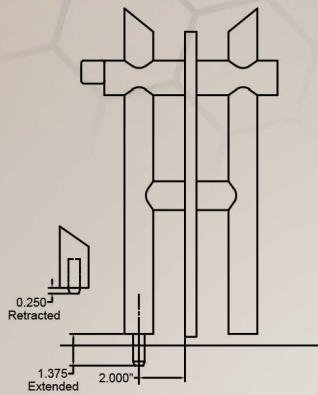
# Application Details

## How to Order - Example Below

### Aluminum, Wood, and Hollow Metal Doors

ABH provides the proper fasteners and washers for all the door applications to safely secure the pulls to the door

#### Locking Ladder Up or Down



Bolt Projection Face of Door to Centerline of Bolt

#### HHBD/FHBD

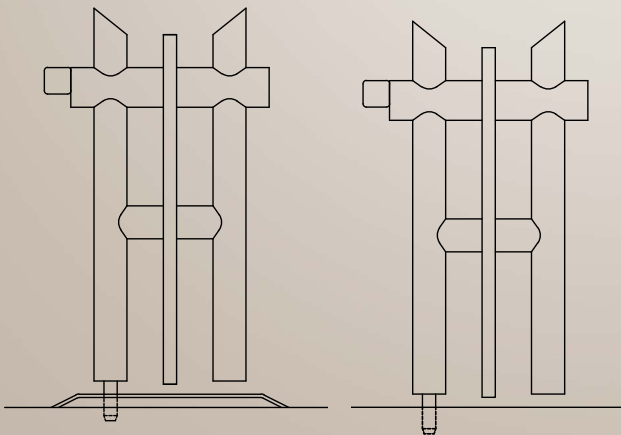
Without Threshold

When retracted bolt projects 1/4"

When fully engaged bolt extends to 1-3/8"

#### Bolt Down Into Floor

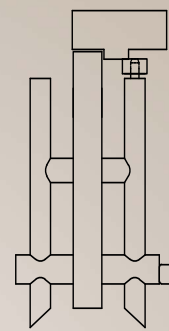
Typical configuration shown



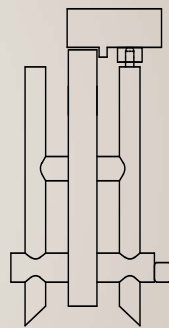
#### HHBD/FHBD

With Threshold

#### Locking Ladder Up or Down

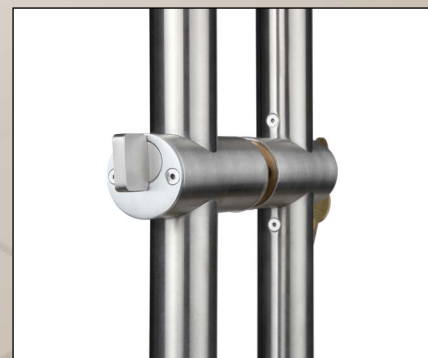


#### HHBD/FHBD



#### HHBD/FHBD

Aluminum Frame Head Detail with Surface Strike (single acting offset pivot)  
Typical configuration shown



# Standard Finishes

Custom Finishes Available - Contact Factory



## PRODUCT

## FINISHES

		Door Pulls & Custom Pulls	Door Pulls & Custom Pulls	Rescue Hardware	Electrical Power Transfers	Locking Ladder Pulls	Custom Strikes	Electromagnetic Door Holders	Surface Bolts, Slide Bolts, Vertical Rod Protectors & Covers	Coordinators & Latches	Flush Bolts	Wall Stops, Floor Stops, Applied Stops Pipe Stops	Overhead Holders & Stops	Hospital Push/Pulls	Cam Lift Hinges & Specialty Hinges	Custom Slim Line Pivots	Pivots & Pivot Sets	Stainless Steel Pin Door Edge Guards	Stainless Steel Pin & Barrel Continuous Hinges	Aluminum Geared Hinges	
AM	CRYSTAL CLEAR - ANTI-MICROBIAL	•																			
S8/WSP	WHITE SUEDE POWDER COATING		•		•	•		•				•	•		•	•	•				
S5	PAINTED DARK BRONZE				•			•					•		•	•	•				
S4/BSP	BLACK SUEDE POWDER COATING		•		•	•		•			•	•	•		•	•	•				
S3	PAINTED BRONZE				•			•					•		•	•	•				
S2	PAINTED BRASS				•			•					•		•	•	•				
S1	PAINTED ALUMINUM							•					•		•	•	•				
USP	PRIME COAT																				
US32	BRIGHT STAINLESS		•	•		•		•			•	•	•	•	•	•	•	•	•		
US32D	SATIN STAINLESS STEEL		•	•	•	•		•	•		•	•	•	•	•	•	•	•	•	•	
US26D	SATIN CHROME (US32D)										•		•			•	•				
US26	BRIGHT CHROME (US32)												•	•		•	•				
US17A	SATIN BLACK NICKEL CLEAR COAT																				
US15A	SATIN NICKEL ANTIQUE OXIDIZED																				
US15	SATIN NICKEL																				
US14B	BRIGHT BLACK NICKEL																				
US14	BRIGHT NICKEL (US32)S																				
US10B	BRONZE OILED		•	•		•					•	•	•	•	•	•	•	•			
US10A	ANTIQU BRONZE LACQUERED																	•			
US10	SATIN BRONZE		•	•		•					•	•	•	•	•	•	•	•			
US9	BRIGHT BRONZE - CLEAR COATED																		•		
US5	BRASS SATIN OXIDIZED BLACKENED																				
US4	SATIN BRASS		•	•		•					•	•	•	•	•	•	•	•	•		
US3	BRIGHT BRASS		•	•		•					•	•	•	•	•	•	•	•	•		
ABH 628	CLEAR ANODIZED (US28)				•			•		•											•
ABH	LIGHT BRONZE ANODIZED																				•
ABH	MEDIUM BRONZE ANODIZED																				•
ABH	DARK BRONZE ANODIZED																				•
ABH	STAT BRONZE ANODIZED																				•
ABH	BLACK ANODIZED																				•
ABH	GOLD ANODIZED																				•
ABH	CUSTOM ANODIZED FINISHES																				•