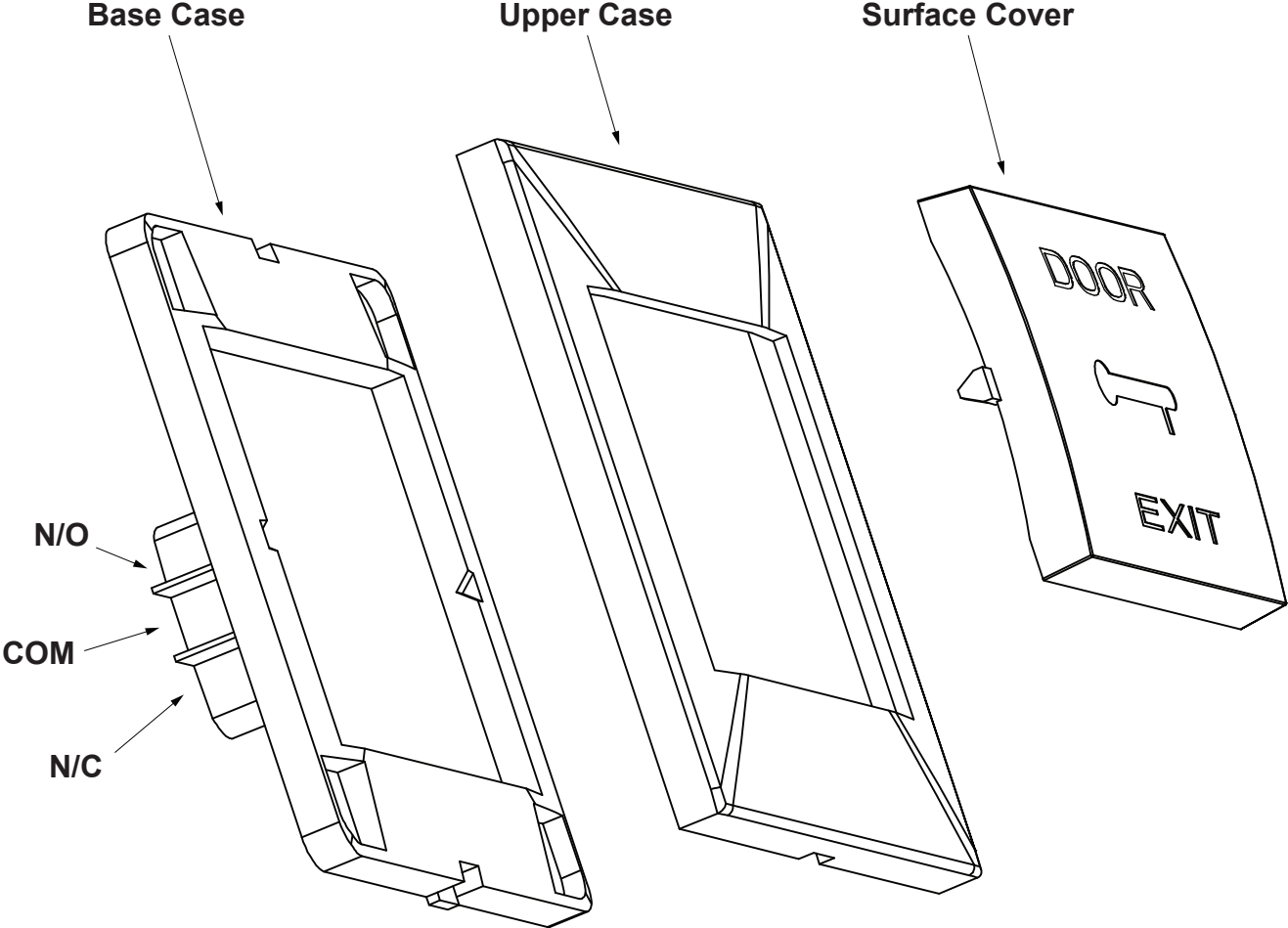


# CSW-100 Counter Switch Installation



### Instructions

- Connect Microswitch as desired (rated @ 5A/250VAC).
- If you require a Normally Open S/W, connect to COM and N/O.
  - If you require a Normally Closed S/W, connect to COM and N/C.



For details regarding the limited warranty:

**Customer Service**  
1-877-671-7011    [www.allegion.com/us](http://www.allegion.com/us)

