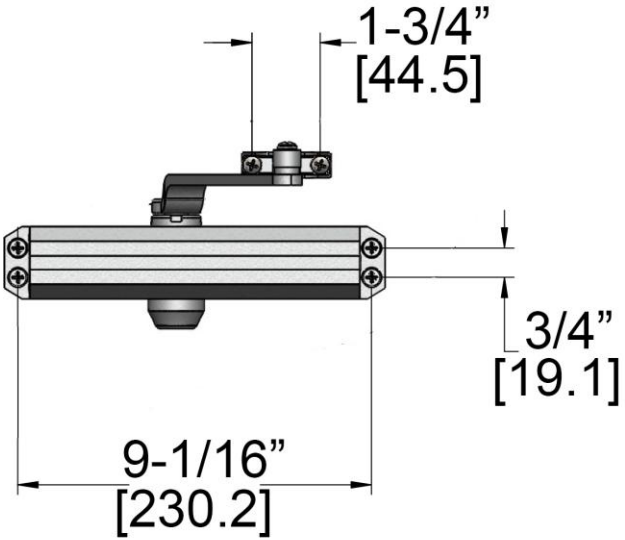

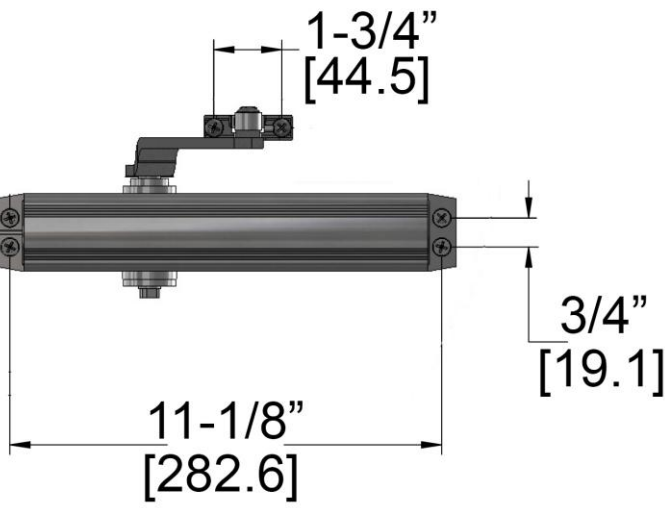

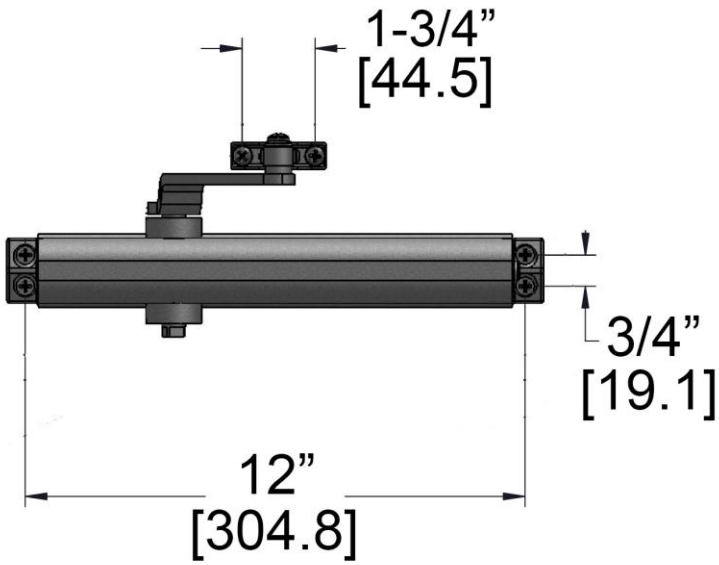


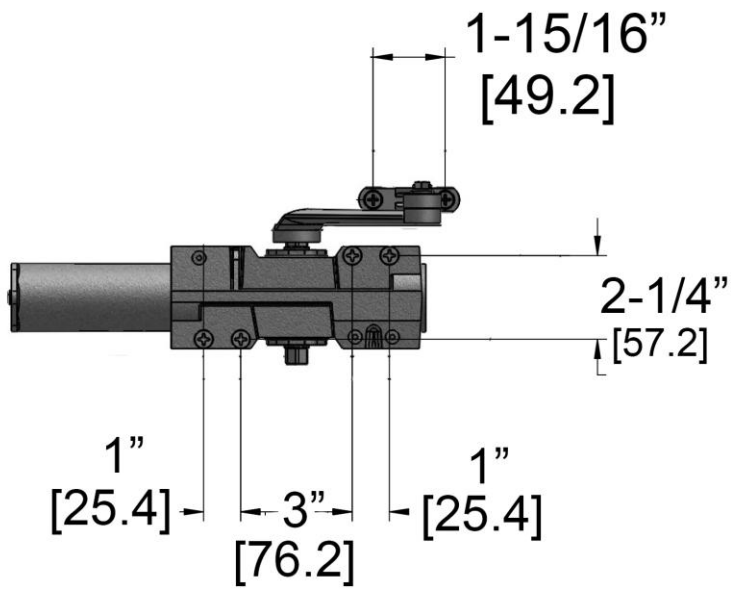
## Locks and Safes DOOR Closer Guide

Existing Closer Dimension	Corresponding PDQ Closer	Cross Reference
 <p style="text-align: center;"> <math>1\text{-}\frac{3}{4}\text{''}</math>  <math>[44.5]</math> </p> <p style="text-align: center;"> <math>\frac{3}{4}\text{''}</math>  <math>[19.1]</math> </p> <p style="text-align: center;"> <math>9\text{-}\frac{1}{16}\text{''}</math>  <math>[230.2]</math> </p>	 <p style="text-align: center;"><a href="#"><u>PDQ 3100 Door Closer</u></a></p>	<p>           Cal Royal 300            Dorma 3800            Dor-O-Matic SC60            Hager 5300 LESS COVER            Stanley Commercial QDC300            LCN 1260            Norton 1600            Sargent 1130            Stanley D-1650            Yale 50         </p>
 <p style="text-align: center;"> <math>1\text{-}\frac{3}{4}\text{''}</math>  <math>[44.5]</math> </p> <p style="text-align: center;"> <math>\frac{3}{4}\text{''}</math>  <math>[19.1]</math> </p> <p style="text-align: center;"> <math>11\text{-}\frac{1}{8}\text{''}</math>  <math>[282.6]</math> </p>	 <p style="text-align: center;"><a href="#"><u>PDQ 5100 Door Closer</u></a></p>	<p>           Cal Royal 900            Dorma 7414/7436            Dor-O-Matic SC60/SC61            LCN 1370            Norton 160            Sargent 1130/1131            Yale 51         </p>



[PDQ 5300 Door Closer](#)

Cal Royal CR801S  
 Corbin/Ruswin DC3200  
 Dorma 8616  
 Dor-O-Matic SC80  
 Hager 5200  
 Stanley Commercial QDC200S  
 LCN 1460/1461  
 Norton 8300  
 Sargent 1430  
 Yale 3300



[PDQ 7100 Door Closer](#)

Cal Royal CR441  
 Corbin/Ruswin DC8000  
 Dorma 8900  
 Dor-O-Matic SC70  
 Hager 5100  
 Stanley Commercial QDC100  
 LCN 4040  
 Norton 7500  
 Sargent 281  
 Stanley D-4550  
 Yale 5800/4400