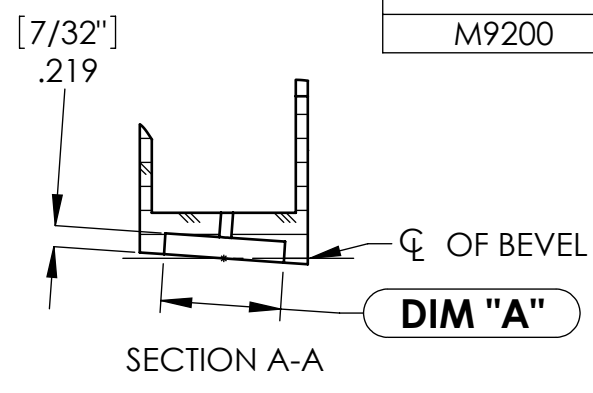


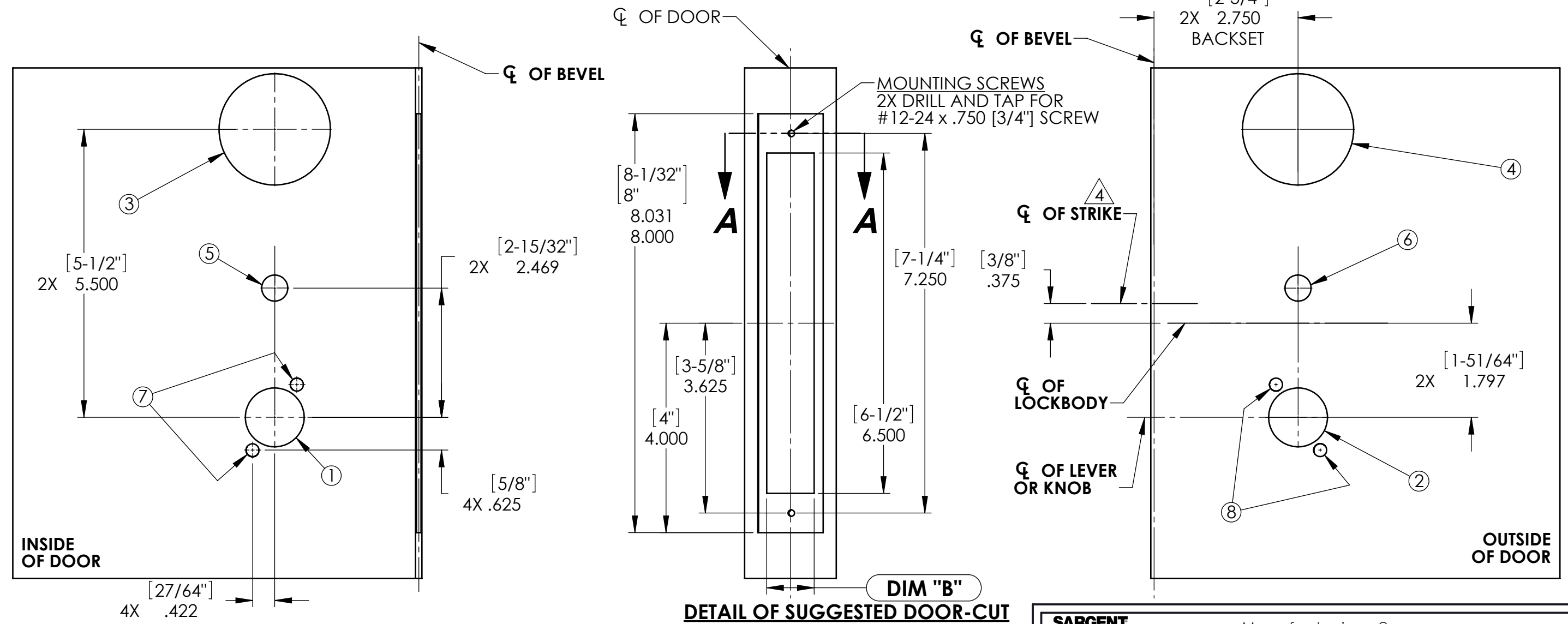
REVISIONS				
ZONE	REV.	DESCRIPTION	DATE	APPROVED
A8, H6	5	REVISED PER EN727322 1. HOLE POSITION 3 WAS [1-1/4] 2. HOLE POSITION 4 WAS [1-1/4] 3. NOTE 1 (MATERIAL COMPLIANCE) ADDED TO DRAWING FORMAT.	1/13/2022	TWF

FUNCTION	REQUIRED HOLES							
	1	2	3	4	5	6	7	8
03, 21	1.125" [1-1/8"] DIA.	1.125" [1-1/8"] DIA.	2.125" [2-1/8"] DIA.	2.125" [2-1/8"] DIA.	.500" [1/2"] DIA.	.500" [1/2"] DIA.	.250" [1/4"] DIA.	.250" [1/4"] DIA.
04, 37, 55	■	■		■			■	■
06	■			■			■	
05*, 24, 25, 43, 45	■	■		■	■		■	■
16, 17, 26, 38, 39, 40	■	■	■	■			■	■
20				■				
22			■	■				
23			■	■	■			
35		■	■	■				■

LOCK LINES & VARIATIONS	VARIABLE DIMENSIONS	
	DIM "A"	DIM "B"
	M9200	1.250 ± .015 [1-1/4"]



\* ALL 05 LOCKS MANUFACTURED PRIOR TO 7/6/04 USE 55 FUNCTION DOOR PREP.



- NOTES:
- DENOTES HOLE REQUIRED FOR FUNCTION LISTED. (CHECK TABLE BEFORE CUTTING HOLE.)
  - REFER TO TRIM TEMPLATE FOR ADDITIONAL HOLE REQUIREMENTS.
  - SUITABLE REINFORCEMENTS REQUIRED FOR METAL DOORS.
  - FOR DETAILS, SEE STRIKE TEMPLATE 7063.
  - FOR ADDITIONAL DETAIL FOR SOLENOID OPERATED FUNCTIONS (70,71,72, & 73), SEE TEMPLATE 7065

<b>SARGENT</b> ASSA ABLOY	Manufacturing Company 100 Sargent Drive New Haven, CT 06511
TEMPLATE: MORTISE LOCK FOR M9200 SERIES (LOCKBODIES ONLY) METAL DOORS ONLY	RELEASE DATE <b>09-SEPT-11</b> TEMPLATE NO. 4483 5

NOTES:

- MATERIAL AND MANUFACTURING PROCESS MUST COMPLY WITH ASSA ABLOY AMERICAS, PRODUCT COMPLIANCE SPECIFICATION DOCUMENT D001117360.

<p>NOTICE TO PERSONS RECEIVING THIS DRAWING AND/OR TECHNICAL INFORMATION</p> <p>The material disclosed herein is the confidential and proprietary information of Sargent Manufacturing Company (the "Company"). This drawing and/or technical information is issued in confidence for engineering information only and may not be reproduced or used to manufacture anything, including the items shown or referred to hereon, without direct written permission from the Company. This drawing and/or technical information is the property of the Company and is loaned for mutual assistance to be returned when its purpose has been served or upon the request of the Company.</p>	<p>UNLESS OTHERWISE SPECIFIED TOLERANCES</p> <p>X.X ± .03 X.XX ± .01 X.XXX ± .005 ANGLES ± 0°30' FRACTIONS ± 1/64 SURFACE FINISH</p>	<p>DRAWING COMPLIES WITH ASME Y14.5M - 1994</p> <p>INCH</p> <p>THIRD ANGLE PROJECTION</p>	<p>MATERIAL Oak</p> <p>HEAT TREATMENT</p>	<p>DATE CREATED 04/26/2018</p> <p>DRAWN BY DTS</p> <p>DESIGNED BY STEVE GABRY</p>
	<p>ASSA ABLOY</p> <p>Sargent Manufacturing Company New Haven, CT</p>	<p>MASS 0.423000 lb</p> <p>VOLUME 20.929000 in³</p> <p>SURFACE AREA 312.644000 in²</p>	<p>DOCUMENT ID D000919130-000</p> <p>DRAWING NUMBER (ALT ID) 4483</p>	<p>SCALE 1:2</p> <p>SIZE C</p> <p>REV 5</p>
	<p>CONFIGURATION All</p>		<p>LEGACY ID</p>	