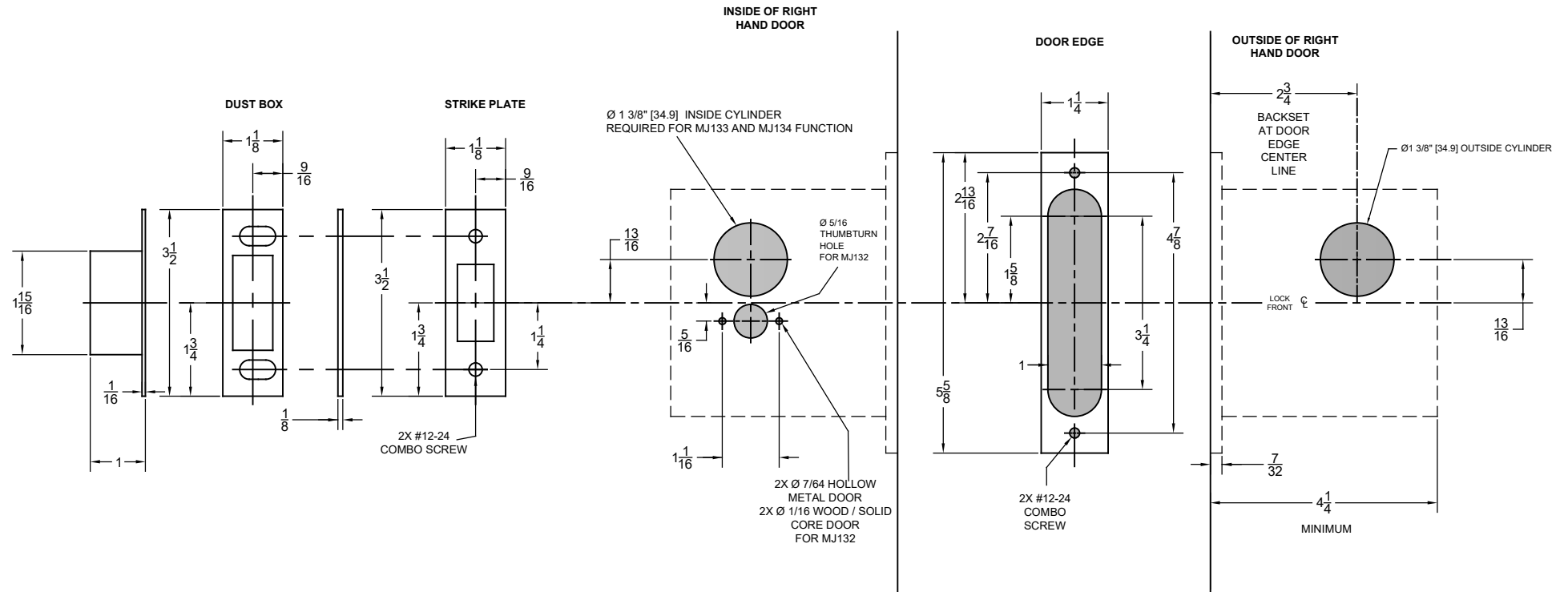


MJ SERIES

TEMPLATE: MJ10300

REV. 3 05-20-2019

Door Type: Hollow Metal, Wood or Composite- Square or Beveled Edge Door
 Door Thickness: 1 3/4" [44.5]
 Backset: 2 3/4" [60.3]
 Faceplate: 1 1/4" [31.8] X 5 5/8" [142.9]



NOTES:

1. DIMENSIONS IN INCHES. [MM]
2. DOOR THICKNESS: STANDARD DOOR THICKNESS IS 1 3/4". CONSULT FACTORY FOR OTHER DOOR SIZES.
3. SILENCERS AND WEATHER STRIPPING: PROVISIONS MUST BE MADE TO ALLOW PROPER DOOR CLOSURE WHEN USING DOOR SILENCERS, WEATHER STRIPPING OR SOUND PROOFING
4. ALWAYS CHECK PDQ WEBSITE FOR THE MOST RECENT TEMPLATE REVISION AT WWW.PDQLOCKS.COM