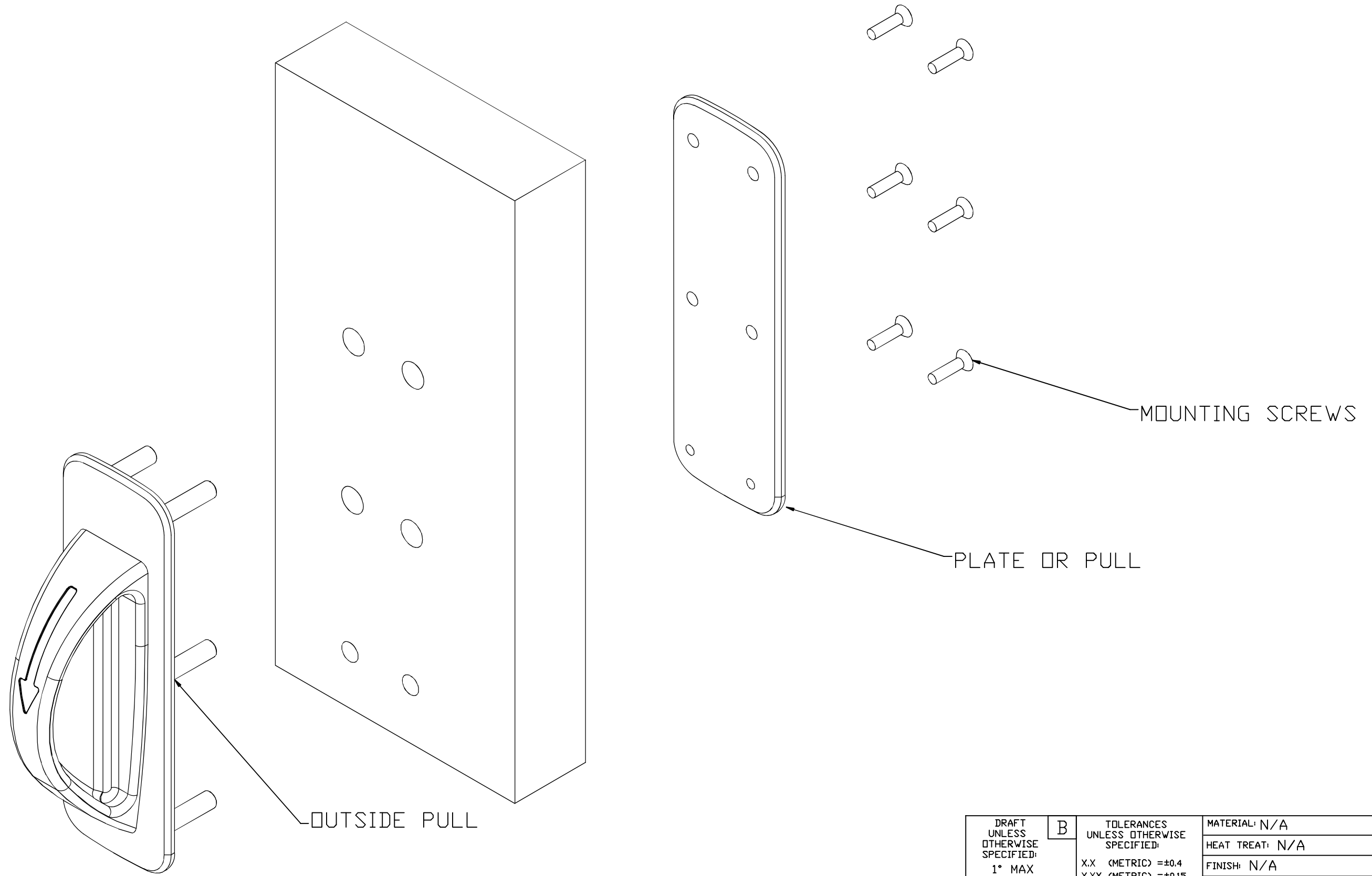


CRXA SINGLE OR DOUBLE DUMMY PULL



DRAFT UNLESS OTHERWISE SPECIFIED: 1° MAX	B	TOLERANCES UNLESS OTHERWISE SPECIFIED:	MATERIAL: N/A
		X.X (METRIC) = ±0.4 X.XX (METRIC) = ±0.15	HEAT TREAT: N/A
DRAWN BY: SC		FRACTIONS = ±.8 ANGLES = ±1/2° ◎ .12	FINISH: N/A
DATE: 4/22/16		MACHINED SURFACES 125/ ⊕ THIRD ANGLE	TITLE: CRXA PULL, DUMMY MOUNTING INSTRUCTIONS
			PART#: CRXA DUMMY PULL