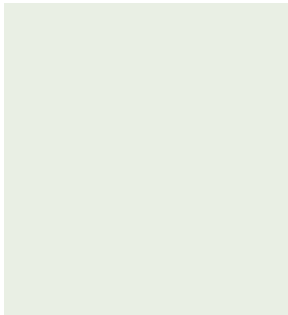
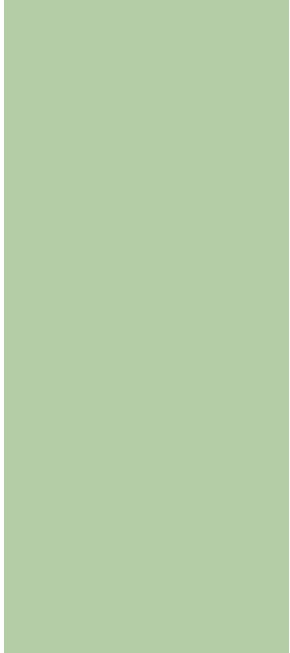


Architectural Door Accessories

ASSA ABLOY

The global leader in
door opening solutions



Markar Door
Clearance Guide

Proper operation and performance of a door opening depends upon the appropriate door size relative to the frame dimension. Use this Door Clearance Guide to calculate the correct door size needed for a particular application.

Start by locating the hinge series and model number, then select non-adjustable or adjustable application, and select single door or pair of doors to attain the proper door clearance.

Table of Contents

Formulas for Under-sizing Doors	3
300 Series Pin & Barrel Stainless Steel Continuous Hinges	4
300 Series Stainless Steel Continuous Edge Guard	5
200 Series Pin & Barrel Carbon Steel Continuous Hinges	6
100 Series Pin & Barrel Aluminum Continuous Hinges.....	7
100 Series Aluminum Continuous Edge Guard	8
3500 Series Pin & Barrel Stainless Steel Security Hinges.....	9
400 Series Aluminum Pin & Barrel Toilet Partition Hinges.....	10
900 Series Aluminum Pin & Barrel Toilet Partition Hinges.....	10
Combination Clearances for Hinge & Edge Guard Applications.....	11

Under-sizing Required For All Door Applications:

Markar Hinge Side Clearance	Dimension Specific Per Model
Lock side clearance	1/8" Per N.F.P.A. (For single as well as between a pair of doors)
Allowance for frame irregularities	1/16" (Optional and included in all hinge Total Under-sizing for single and pairs of doors)

The two formulas below are based on a standard *Non-Adjustable Application*

Example for Standard Single Door:

MODEL: (HG305).....	5/16"	Markar Hinge Side Clearance
	1/8"	Lock-side Clearance
	<u>+1/16"</u>	Frame Irregularity (Optional)
	1/2"	(As shown in 300 Series Standard Non-Adjustable Chart)

Example for Standard Pair of Doors:

MODEL: (HG305).....	5/16"	Markar Hinge Side Clearance (Door 1)
	5/16"	Markar Hinge Side Clearance (Door 2)
	1/8"	Lock-side Clearance (Between Pair of Doors)
	<u>+1/16"</u>	Frame Irregularity (Optional)
	13/16"	(As shown in 300 Series Standard Non-Adjustable Chart)

For adjustable models used in an *Adjustable Application*, an additional 1/8" of clearance per door is required as shown in the two formulas below

Example for Standard Single Door:

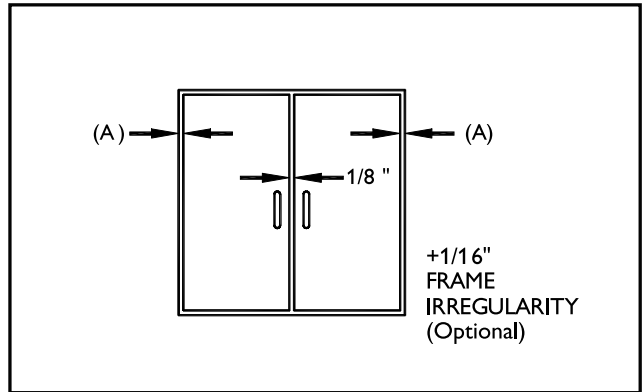
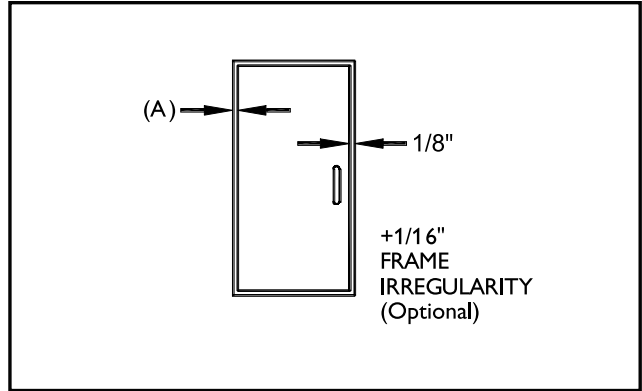
MODEL: (HG305).....	5/16"	Markar Hinge Side Clearance
	1/8"	Lock-side Clearance
	1/16"	Frame Irregularity (Optional)
	<u>+1/8"</u>	Additional Adjustment Clearance
	5/8"	(As shown in 300 Series Adjustable Chart)

Example for Standard Pair of Doors:

MODEL: (HG305).....	5/16"	Markar Hinge Side Clearance (Door 1)
	5/16"	Markar Hinge Side Clearance (Door 2)
	1/8"	Lock-side Clearance (Between Pair of Doors)
	1/16"	Frame Irregularity (Optional)
	1/8"	Additional Adjustment Clearance (Door 1)
	<u>+1/8"</u>	Additional Adjustment Clearance (Door 2)
	1-1/16"	(As shown in 300 Series Adjustable Chart)

Standard “Non-Adjustable” application

MODEL	Hinge Side Clearance (A)	Total Under-sizing For Single Door	Total Under-sizing For Pair of Doors
FM300	1/4	7/16	11/16
*FS301	1/8	5/16	7/16
*FS302	1/8	5/16	7/16
*HS303	1/8	5/16	7/16
*HM304	1/8	5/16	7/16
HG305	5/16	1/2	13/16
*HG306	1/8	5/16	7/16
*FS/SC309	1/8	5/16	7/16
HG310	1/4	7/16	11/16
*HG311	1/8	5/16	7/16
HG315	1/4	7/16	11/16
*FS321	1/8	5/16	7/16
HG322	5/16	1/2	13/16
HG323	5/16	1/2	13/16
HG326	5/16	1/2	13/16
FM327	3/4	15/16	1-11/16
HG329	1/4	7/16	11/16

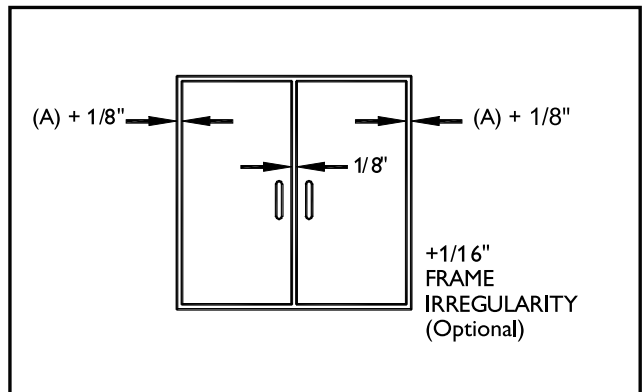
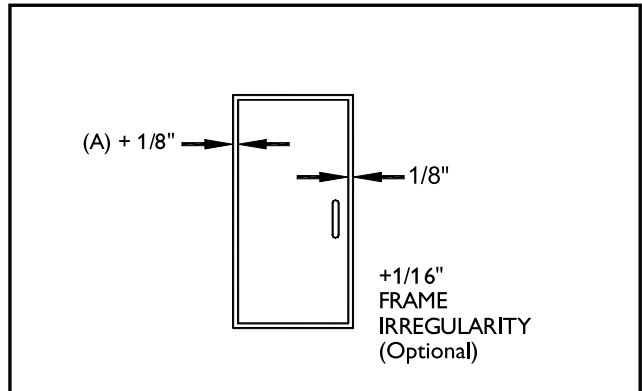


Models with * will work with Industry Standard Clearances.

“Adjustable” application

MODEL	Hinge Side Clearance (A)	Total Under-sizing For Single Door	Total Under-sizing For Pair of Doors
HG305	5/16	5/8	1-1/16
HG310	1/4	9/16	15/16
HG322	5/16	5/8	1-1/16
HG326	5/16	5/8	1-1/16

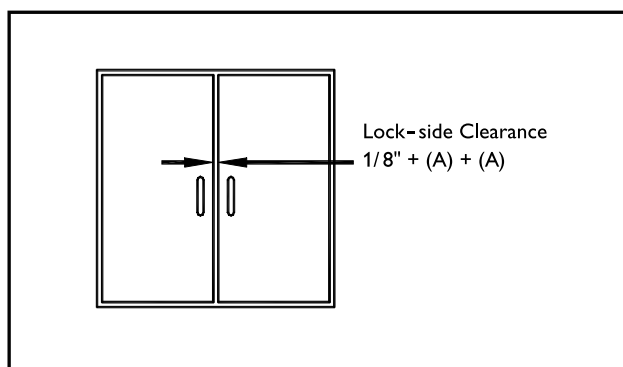
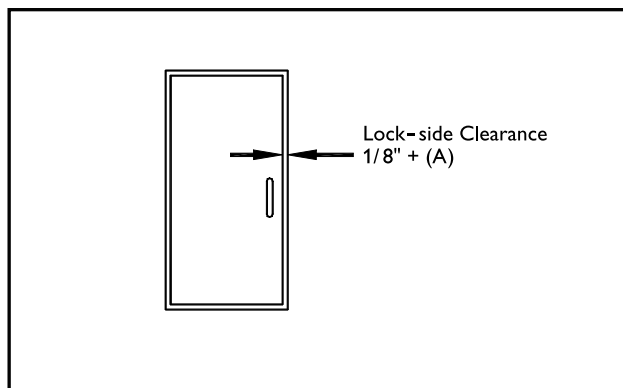
Proper door reinforcement is required for adjustable feature.



Standard “Non-Adjustable” application

MODEL	Lock-side Side Clearance (A)	Total Under-sizing For Single Door	Total Under-sizing For Pair of Doors
EG308	1/16	3/16	1/4
EGC308	1/16	3/16	1/4
EGT308	1/16	-	1/4

In a stand-alone application, where the EGT308 is used on a pair of doors while the opposite pair contains no edge guard, the **total under-sizing for the pair of doors would be 3/16"**.

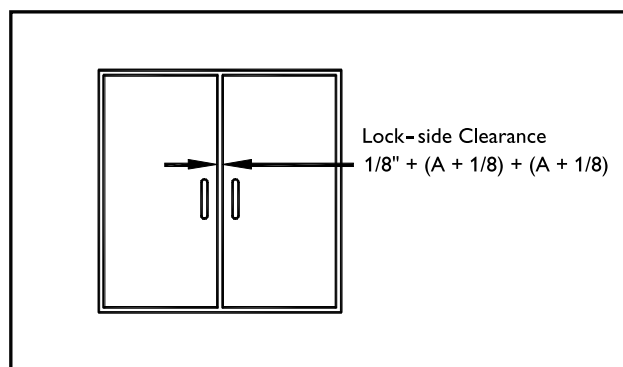
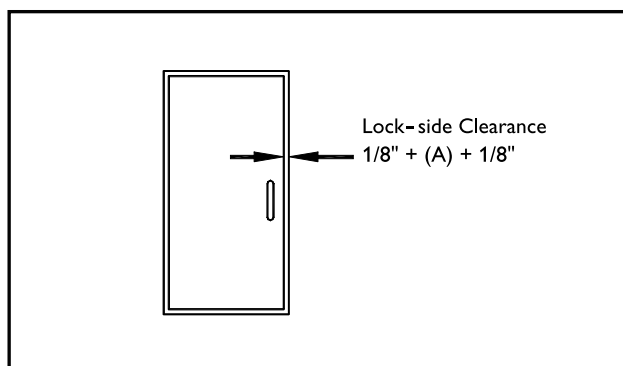


“Adjustable” application

MODEL	Lock-side Side Clearance (A)	Total Under-sizing For Single Door	Total Under-sizing For Pair of Doors
EG308	1/16	5/16	1/2
EGT308	1/16	-	1/2
			w/ EG308

In a stand-alone application, where the EGT308 is used on a pair of doors while the opposite door contains no edge guard, the **total under-sizing for the pair of doors would be 5/16"**.

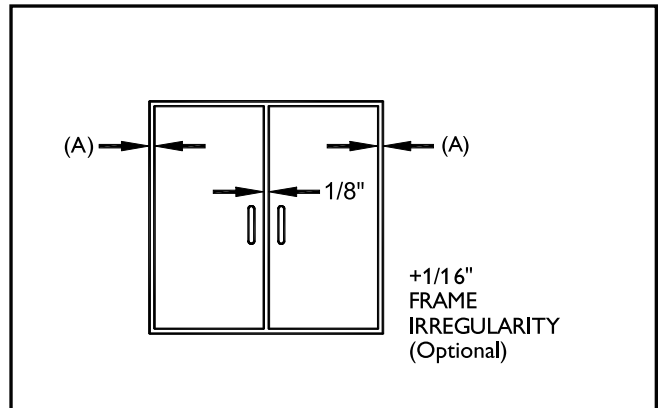
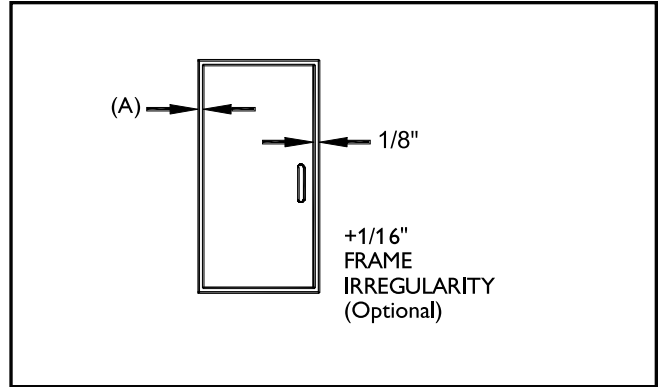
Proper door reinforcement is required for adjustable feature.



Standard "Non-Adjustable" application

MODEL	Hinge Side Clearance (A)	Total Under-sizing For Single Door	Total Under-sizing For Pair of Doors
FM200	1/4	7/16	11/16
*FS201	1/8	5/16	7/16
*FS202	1/8	5/16	7/16
*HS203	1/8	5/16	7/16

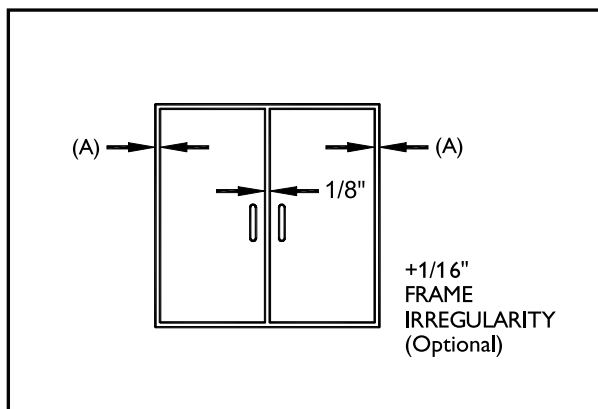
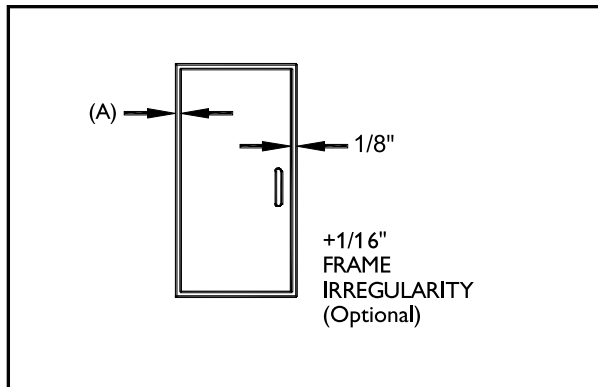
Models with * will work with Industry Standard Clearances.



Standard “Non-Adjustable” application

MODEL	Hinge Side Clearance (A)	Total Under-sizing For Single Door	Total Under-sizing For Pair of Doors
FM100	3/8	9/16	15/16
FM100 (bev.)	7/16	5/8	1-1/16
*FS101	1/8	5/16	7/16
*FS102	1/8	5/16	7/16
HS103	3/16	3/8	9/16
HM104	3/16	3/8	9/16
HG105	3/8	9/16	15/16

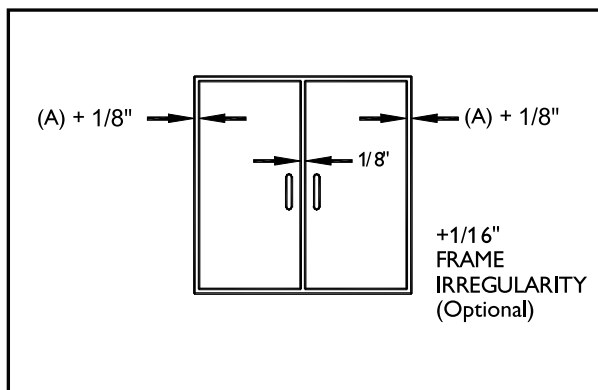
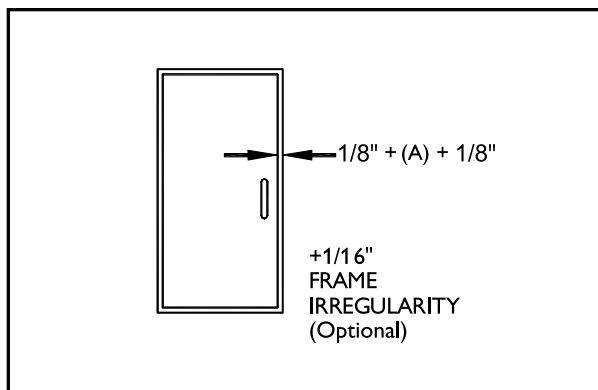
Models with * will work with Industry Standard Clearances.



“Adjustable” application

MODEL	Edge Clearance (A)	Total Under-sizing For Single Door	Total Under-sizing For Pair of Doors
HG105	3/8	11/16	1-3/16

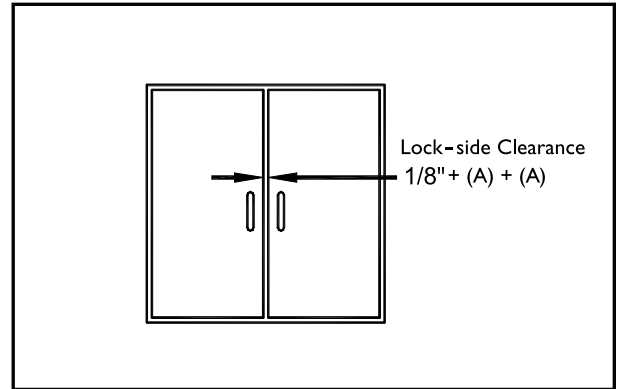
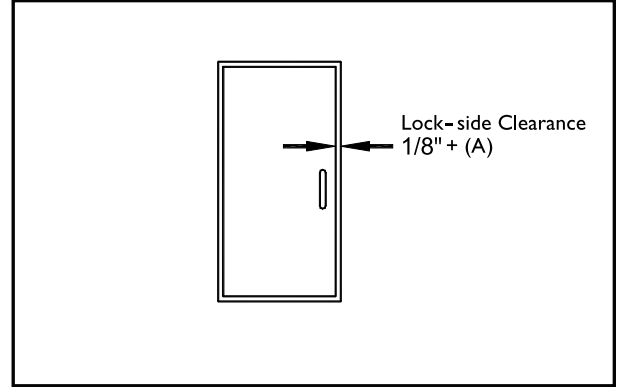
Proper door reinforcement is required for adjustable feature.



Standard “Non-Adjustable” application

MODEL	Lock-side Clearance (A)
EG108	1/8

Total Under-sizing For Single Door	Total Under-sizing For Pair of Doors
1/4	3/8

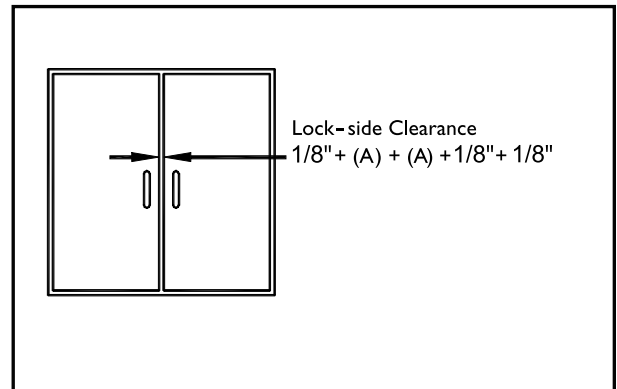
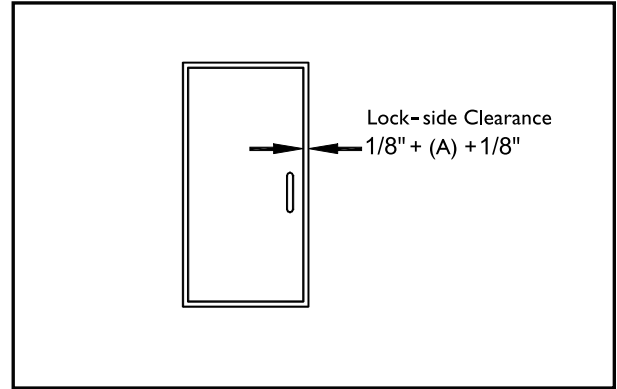


“Adjustable” application

MODEL	Lock-side Clearance (A)
EG108	1/8

Total Under-sizing For Single Door	Total Under-sizing For Pair of Doors
3/8	5/8

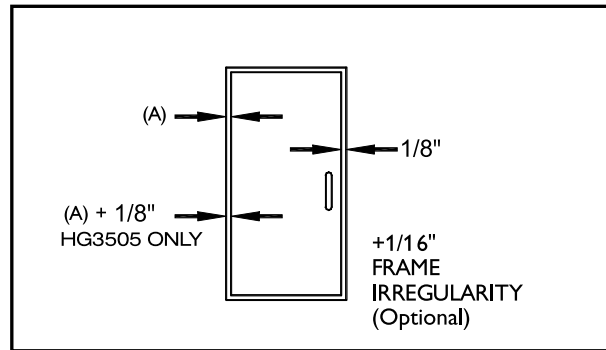
Proper door reinforcement is required for adjustable feature.



3500 Series Pin & Barrel Stainless Steel Security Hinges

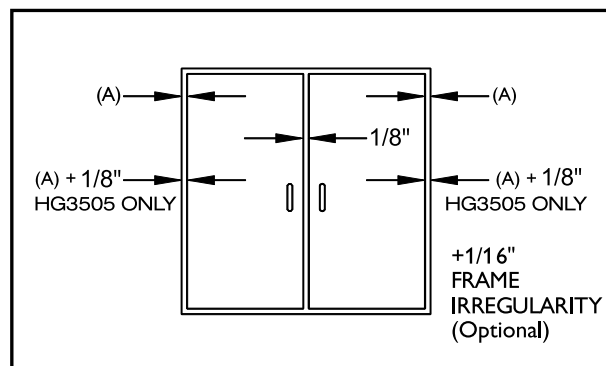
Standard “Non-Adjustable” application

MODEL	Hinge Side Clearance (A)	Total Under-sizing For Single Door	Total Under-sizing For Pair of Doors
FM3500	5/16	1/2	13/16
FS3501	1/8	5/16	7/16
FS3502	1/8	5/16	7/16
HG3505	5/16	1/2	13/16



“Adjustable” application

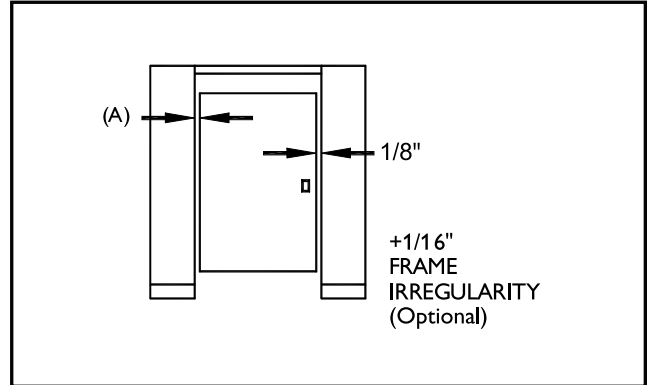
MODEL	Hinge Side Clearance (A)	Total Under-sizing For Single Door	Total Under-sizing For Pair of Doors
HG3505	5/16	5/8	1-1/16



400 Series Aluminum Pin & Barrel Toilet Partition Hinges

Standard “Non-Adjustable” application

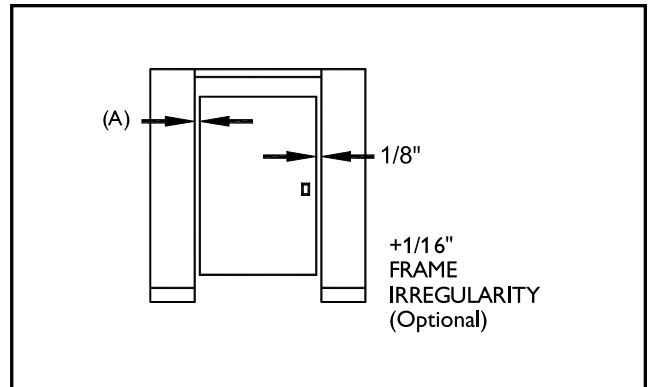
MODEL	Hinge Side Clearance (A)	Total Under-sizing For Single Door
FS402	1/8	5/16



900 Series Stainless Steel Pin & Barrel Toilet Partition Hinges

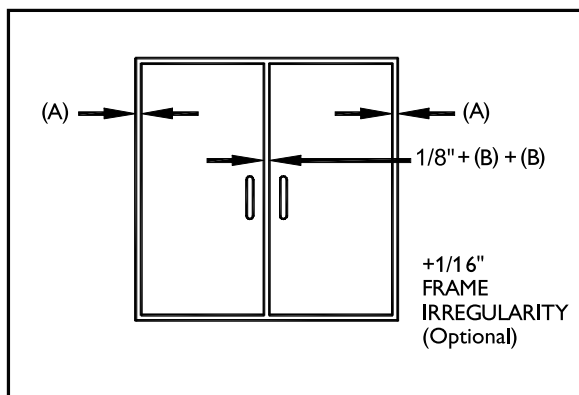
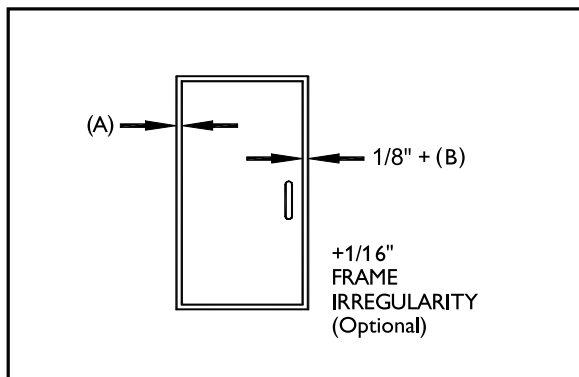
Standard “Adjustable” application

MODEL	Hinge Side Clearance (A)	Total Under-sizing For Single Door
FS902	1/8	5/16



Standard "Non-Adjustable" application

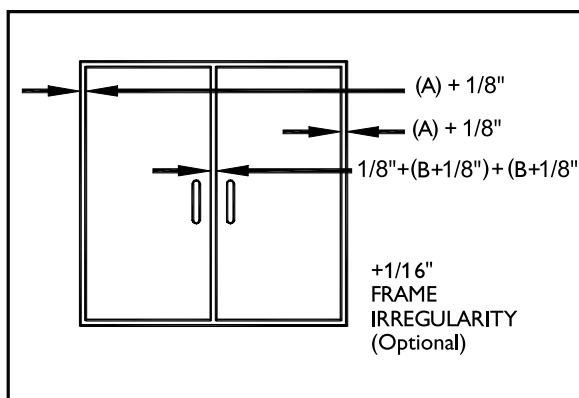
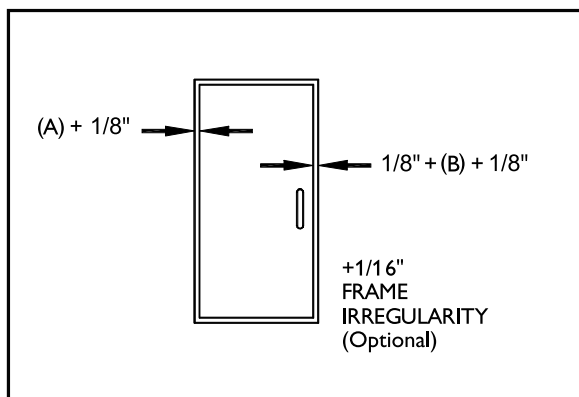
Combination Model	Hinge Side Clearance (A) & Edge Guard Clearance (B)	Total Under-sizing For Single Door	Total Under-sizing For Pair of Doors
HG305 & EG308	(A) = 5/16 (B) = 1/16	9/16	15/16
HG315 & EGC308	(A) = 1/4 (B) = 1/16	1/2	13/16
HG305 & EGT308	(A) = 5/16 (B) = 1/16	N/A	15/16
HG105 & EG108	(A) = 3/8 (B) = 1/8	11/16	1-3/16
HG329 & EG308	(A) = 1/4 (B) = 1/16	1/2	13/16



"Adjustable" application

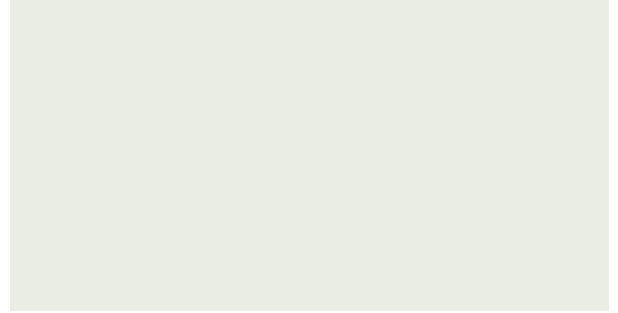
Combination Model	Hinge Side Clearance (A) & Edge Guard Clearance (B)	Total Under-sizing For Single Door	Total Under-sizing For Pair of Doors
HG305 & EG308	(A) = 5/16 (B) = 1/16	13/16	1-7/16
HG305 & EGT308	(A) = 5/16 (B) = 1/16	N/A	1-7/16
HG105 & EG108	(A) = 3/8 (B) = 1/16	15/16	1-11/16
HG3505 & EG308	(A) = 5/16 (B) = 1/16	13/16	1-7/16

Proper door reinforcement is required for adjustable feature.



ASSA ABLOY is the global leader in door opening solutions, dedicated to satisfying end-user needs for security, safety and convenience

ASSA ABLOY



ASSA ABLOY
5535 Distribution Drive
Memphis, TN 38141
websales@pemko.com • www.markar.com

Ventura, CA USA
P: 800.283.9988
F: 800.283.4050

Memphis, TN USA
P: 800.824.3018
F: 800.243.3656

Vancouver, BC CA
P: 877.535.7888
F: 877.535.7444

Toronto, ON CA
P: 877.535.7888
F: 877.535.7444

Copyright © 2013, 2017 Pemko Manufacturing Co., an ASSA ABLOY Group Company.
All Rights reserved. Reproduction in whole or in part without the express written permission of Pemko Manufacturing Co. is prohibited.

10003 05/17