

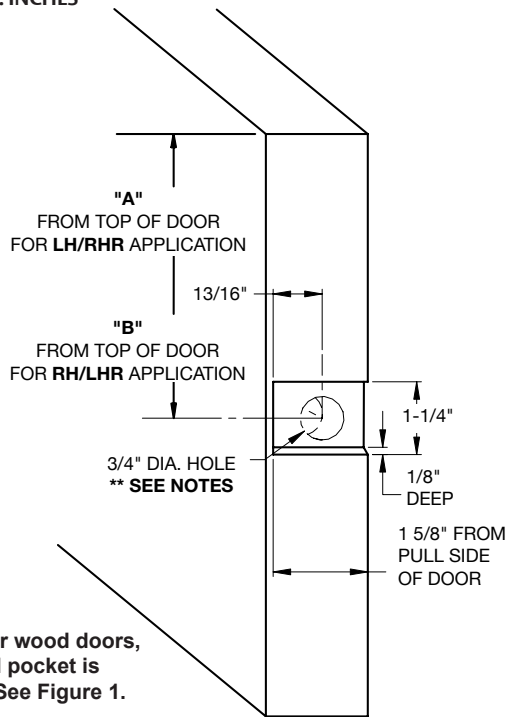
Architectural Door Accessories

Markar EL & PoE Prep Locations Aluminum Hinge FM100 & HG105 Only

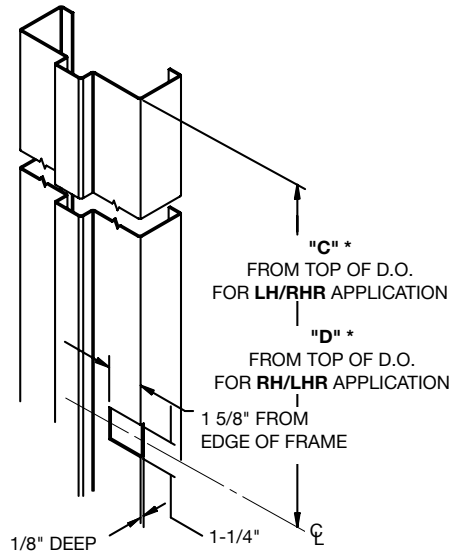
Experience a safer
and more open world

Left Hand Application Shown

DO NOT SCALE
DIMENSIONS: INCHES



**Notes: For wood doors,
additional pocket is
needed. See Figure 1.



Template M80-018-0003

Effective date:
June 12, 2019

Supersedes: All Previous

*Dimensions shown stand
true when taking into
consideration the industry
standard of 1/8" clearance
between top of door
opening and top of door.

**Notes: For wood doors,
additional pocket is
needed. See Figure 1.

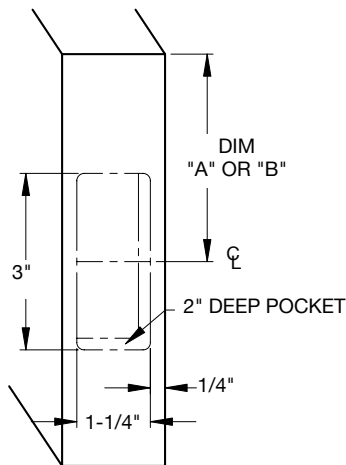
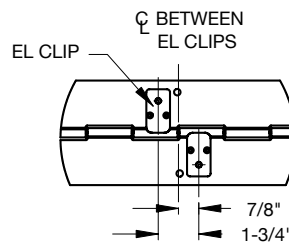


FIGURE 1



VISUAL REPRESENTATION
SHOWING DOOR AND FRAME
PREP LOCATION DIFFER. FOR
ILLUSTRATION PURPOSE ONLY.

Template
M80-018-0003

Effective date:
June 12, 2019

Supersedes: All Previous

DIMENSION SHOWN BELOW IS NEEDED AT THE TIME OF ORDERING		LH / RHR APPLICATION HINGE LENGTHS UP TO 83 1/8"		RH / LHR APPLICATION HINGE LENGTHS UP TO 83 1/8"	
LOCATION	TOP TO CENTER BETWEEN EL CLIPS	TOP TO CENTER DOOR PREP "A"	TOP TO CENTER FRAME PREP "C"	TOP TO CENTER DOOR PREP "B"	TOP TO CENTER FRAME PREP "D"
	21 9/16	22 7/16	20 13/16	20 11/16	22 9/16
	25 9/16	26 7/16	24 13/16	24 11/16	26 9/16
	29 9/16	30 7/16	28 13/16	28 11/16	30 9/16
	33 9/16	34 7/16	32 13/16	32 11/16	34 9/16
	37 9/16	38 7/16	36 13/16	36 11/16	38 9/16
STANDARD LOCATION	41 9/16	42 7/16	40 13/16	40 11/16	42 9/16
	45 9/16	46 7/16	44 13/16	44 11/16	46 9/16
	49 9/16	50 7/16	48 13/16	48 11/16	50 9/16

DIMENSION SHOWN BELOW IS NEEDED AT THE TIME OF ORDERING		LH / RHR APPLICATION HINGE LENGTHS 83 3/16" - 95"		RH / LHR APPLICATION HINGE LENGTHS 83 3/16" - 95"	
LOCATION	TOP TO CENTER BETWEEN EL CLIPS	TOP TO CENTER DOOR PREP "A"	TOP TO CENTER FRAME PREP "C"	TOP TO CENTER DOOR PREP "B"	TOP TO CENTER FRAME PREP "D"
	27 1/2	26 5/8	28 1/2	28 3/8	26 3/4
	31 1/2	30 5/8	32 1/2	32 3/8	30 3/4
	35 1/2	34 5/8	36 1/2	36 3/8	34 3/4
	39 1/2	38 5/8	40 1/2	40 3/8	38 3/4
	43 1/2	42 5/8	44 1/2	44 3/8	42 3/4
STANDARD LOCATION	47 1/2	46 5/8	48 1/2	48 3/8	46 3/4
	51 1/2	50 5/8	52 1/2	52 3/8	50 3/4
	55 1/2	54 5/8	56 1/2	56 3/8	54 3/4
	59 1/2	58 5/8	60 1/2	60 3/8	58 3/4
	63 1/2	62 5/8	64 1/2	64 3/8	62 3/4

DIMENSION SHOWN BELOW IS NEEDED AT THE TIME OF ORDERING		LH / RHR APPLICATION HINGE LENGTHS 95 1/16" - 118 3/4"		RH / LHR APPLICATION HINGE LENGTHS 95 1/16" - 118 3/4"	
LOCATION	TOP TO CENTER BETWEEN EL CLIPS	TOP TO CENTER DOOR PREP "A"	TOP TO CENTER FRAME PREP "C"	TOP TO CENTER DOOR PREP "B"	TOP TO CENTER FRAME PREP "D"
	39 3/8	38 1/2	40 3/8	40 1/4	38 5/8
	43 3/8	42 1/2	44 3/8	44 1/4	42 5/8
	47 3/8	46 1/2	48 3/8	48 1/4	46 5/8
	51 3/8	50 1/2	52 3/8	52 1/4	50 5/8
	55 3/8	54 1/2	56 3/8	56 1/4	54 5/8
STANDARD LOCATION	59 3/8	58 1/2	60 3/8	60 1/4	58 5/8
	63 3/8	62 1/2	64 3/8	64 1/4	62 5/8
	67 3/8	66 1/2	68 3/8	68 1/4	66 5/8
	71 3/8	70 1/2	72 3/8	72 1/4	70 5/8
	75 3/8	74 1/2	76 3/8	76 1/4	74 5/8
	79 3/8	78 1/2	80 3/8	80 1/4	78 5/8