

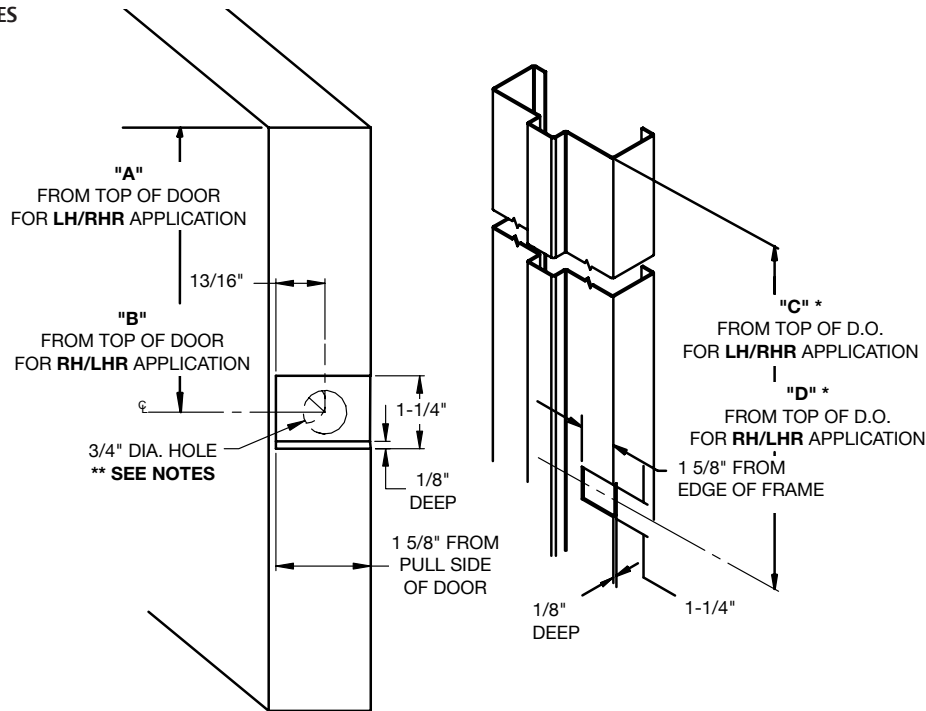
# Architectural Door Accessories

## Markar EL & PoE Prep Locations Steel & Stainless Steel Hinges

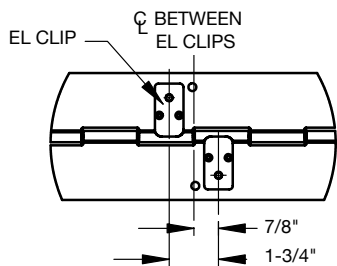
Experience a safer  
and more open world

Left Hand Application Shown

DO NOT SCALE  
DIMENSIONS: INCHES



**\*\*NOTES: FOR WOOD DOORS,  
ADDITIONAL POCKET IS  
NEEDED. SEE FIGURE 1.**



VISUAL REPRESENTATION  
SHOWING DOOR AND FRAME  
PREP LOCATION DIFFER. FOR  
ILLUSTRATION PURPOSE ONLY.

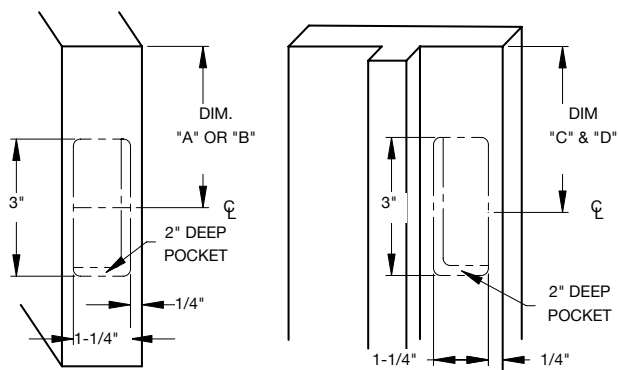


FIGURE 1

**Template  
M80-018-0002**

**Effective date:**  
June 12, 2019

**Supersedes:** All Previous

\*Dimensions shown stand true when taking into consideration the industry standard of 1/8" clearance between top of door opening and top of door.

\*\*Notes: For wood doors & frame, additional pocket is needed. See Figure 1.

**Template**  
**M80-018-0002**

**Effective date:**  
June 12, 2019

**Supersedes:** All Previous

***DIMENSION SHOWN BELOW IS NEEDED*** AT THE TIME OF ORDERING		LH / RHR APPLICATION		RH / LHR APPLICATION	
		HINGE LENGTHS UP TO 83 1/8"		HINGE LENGTHS UP TO 83 1/8"	
LOCATION	TOP TO CENTER BETWEEN EL CLIPS	TOP TO CENTER DOOR PREP "A"	TOP TO CENTER FRAME PREP "C"	TOP TO CENTER DOOR PREP "B"	TOP TO CENTER FRAME PREP "D"
	21 25/32	20 29/32	22 25/32	22 21/32	21 1/32
	25 23/32	24 27/32	26 23/32	26 19/32	24 31/32
	29 11/16	28 13/16	30 11/16	30 9/16	28 15/16
	33 21/32	32 25/32	34 21/32	34 17/32	32 29/32
	37 19/32	36 23/32	38 19/32	38 15/32	36 27/32
STANDARD LOCATION	41 9/16	40 11/16	42 9/16	42 7/16	40 13/16
	45 17/32	44 21/32	46 17/32	46 13/32	44 25/32
	49 15/32	48 19/32	50 15/32	50 11/32	48 23/32

***DIMENSION SHOWN BELOW IS NEEDED*** AT THE TIME OF ORDERING		LH / RHR APPLICATION		RH / LHR APPLICATION	
		HINGE LENGTHS 83 3/16" - 85 1/8"		HINGE LENGTHS 83 3/16" - 85 1/8"	
LOCATION	TOP TO CENTER BETWEEN EL CLIPS	TOP TO CENTER DOOR PREP "A"	TOP TO CENTER FRAME PREP "C"	TOP TO CENTER DOOR PREP "B"	TOP TO CENTER FRAME PREP "D"
	21 25/32	22 21/32	21 1/32	22 21/32	21 1/32
	27 23/32	26 27/32	28 23/32	26 27/32	28 23/32
	33 21/32	34 17/32	32 29/32	34 17/32	32 29/32
	39 19/32	38 23/32	40 19/32	38 23/32	40 19/32
	45 17/32	46 13/32	44 25/32	46 13/32	44 25/32
STANDARD LOCATION	51 15/32	50 19/32	52 15/32	50 19/32	52 15/32
	57 13/32	58 9/32	56 21/32	58 9/32	56 21/32
	63 11/32	62 15/32	64 11/32	62 15/32	64 11/32

***DIMENSION SHOWN BELOW IS NEEDED*** AT THE TIME OF ORDERING		LH / RHR APPLICATION		RH / LHR APPLICATION	
		HINGE LENGTHS 85 3/16" - 95"		HINGE LENGTHS 85 3/16" - 95"	
LOCATION	TOP TO CENTER BETWEEN EL CLIPS	TOP TO CENTER DOOR PREP "A"	TOP TO CENTER FRAME PREP "C"	TOP TO CENTER DOOR PREP "B"	TOP TO CENTER FRAME PREP "D"
	27 23/32	28 19/32	26 31/32	26 27/32	28 23/32
	31 21/32	32 17/32	30 29/32	30 25/32	32 21/32
	35 5/8	36 1/2	34 7/8	34 3/4	36 5/8
	39 19/32	40 15/32	38 27/32	38 23/32	40 19/32
	43 17/32	44 13/32	42 25/32	42 21/32	44 17/32
STANDARD LOCATION	47 1/2	48 3/8	46 3/4	46 5/8	48 1/2
	51 15/32	52 11/32	50 23/32	50 19/32	52 15/32
	55 13/32	56 9/32	54 21/32	54 17/32	56 13/32
	59 3/8	60 1/4	58 5/8	58 1/2	60 3/8
	63 11/32	64 7/32	62 19/32	62 15/32	64 11/32

***DIMENSION SHOWN BELOW IS NEEDED*** AT THE TIME OF ORDERING		LH / RHR APPLICATION		RH / LHR APPLICATION	
		HINGE LENGTHS 95 1/16" - 118 3/4"		HINGE LENGTHS 95 1/16" - 118 3/4"	
LOCATION	TOP TO CENTER BETWEEN EL CLIPS	TOP TO CENTER DOOR PREP "A"	TOP TO CENTER FRAME PREP "C"	TOP TO CENTER DOOR PREP "B"	TOP TO CENTER FRAME PREP "D"
	39 19/32	40 15/32	38 27/32	38 23/32	40 19/32
	43 17/32	44 13/32	42 25/32	42 21/32	44 17/32
	47 1/2	48 3/8	46 3/4	46 5/8	48 1/2
	51 15/32	52 11/32	50 23/32	50 19/32	52 15/32
	55 13/32	56 9/32	54 21/32	54 17/32	56 13/32
STANDARD LOCATION	59 3/8	60 1/4	58 5/8	58 1/2	60 3/8
	63 11/32	64 7/32	62 19/32	62 15/32	64 11/32
	67 9/32	68 5/32	66 17/32	66 13/32	68 9/32
	71 1/4	72 1/8	70 1/2	70 3/8	72 1/4
	75 7/32	76 3/32	74 15/32	74 11/32	76 7/32
	79 5/32	80 1/32	78 13/32	78 9/32	80 5/32