

Architectural Door Accessories

Markar Edge Guard – Lock Side Preps Order Form

Experience a safer
and more open world

IMPORTANT - COMPLETED FORM REQUIRED

Incomplete or incorrect order forms will be returned to the customer resulting in order delays.

CL = Centerline




Page: _____ of _____

PO #: _____ Line #: _____

Company Name: _____

Contact Name: _____

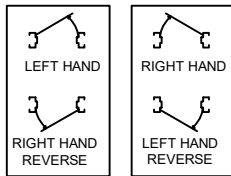
Step 1 - Profile
(choose only one)

- EG308 
- EGT308 
- EGC308 

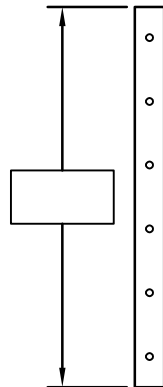
Step 2 - Handing and Quantity
(choose all that apply and enter quantity)

- LH/RHR (active)
- RH/LHR (active)
- LH/RHR (inactive)
- RH/LHR (inactive)

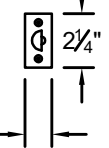
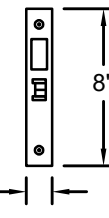
HANDING DIAGRAM



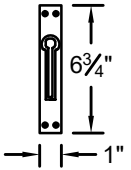
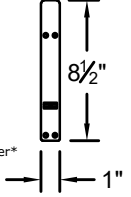
Step 3 - Height
(in inches)



Step 9a - Bolt & Strike
(choose all that apply)

- 161 Latch Bolt
Auto Flush Bolt 
- 86 Mortise Lock 

Step 10a - Flush Bolt
(choose only one, if applicable)

- Manual Flush Bolt
Auto Flush Bolt 
- Auto Flush Bolt (Wood Door) 
- *Support strip to be removed by customer*

Step 4 - Lead Lined?
(choose only one)

- No (default)
- Yes

Step 5 - Door Edge
(choose only one)

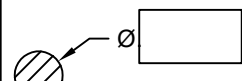
- Bevel (default)
- Square

Step 6 - Door Thickness
(choose only one)

- 1 3/4" door (default)
- 1 7/8" door
- Custom

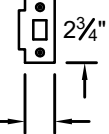
Step 7 - Specify Fire Bolt
(if applicable)

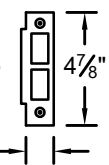
Size
(Provide Diameter in inches)



Location
(provide in inches)



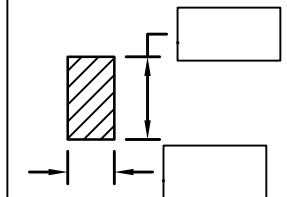
- 161 Strike 

- ASA Strike 

Step 10b - Location
(choose all that apply, provide in inches)

- Top to CL
- Bottom to CL

Step 11 - Specify Custom Prep Size & Location
(if applicable, provide in inches)



Step 8 - Special Instructions
(not required)

Step 9b - Location
(provide in inches)

- Top to CL

Location
(choose all that apply, provide in inches)

- Top to CL
- Bottom to CL