

Architectural Door Accessories

ASSA ABLOY
Opening Solutions

Markar/Pemko DSH_ x ERS_ Order Form

Experience a safer
and more open world

IMPORTANT - COMPLETED FORM REQUIRED

Incomplete or incorrect order forms will be returned to the customer **resulting in order delays**. Manufacturer **does NOT recommend pre-drilling doors or frames** due to manufacturing tolerances.

Compatible with these frame profiles:

- Cased Open (Extended Lip Strike needed)
- Cased Open Hinge Jamb and Header with Single Rabbit Lockside Jamb

Page: _____ of _____

PO #: _____ Line #: _____

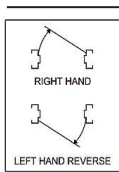
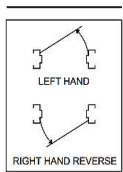
Company Name: _____

Contact Name: _____

Step 1 - Specify Handing & Quantity
(enter quantity)

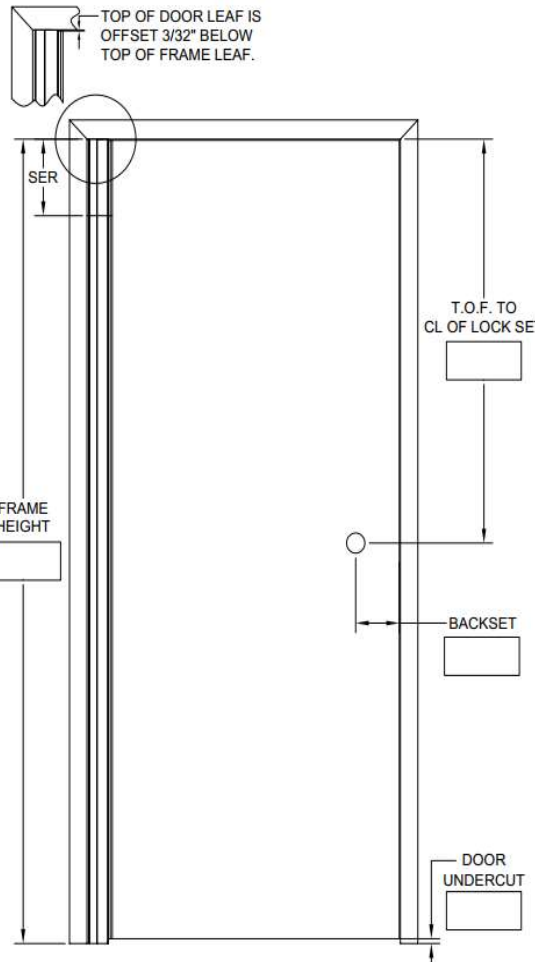
LH/RHR

RH/LHR



Step 2 - Specify Dimensions in Inches
(DSH requires Frame Height and Door Undercut)
(ERS requires All Dimensions)

Step 3 - Special Instructions
(not required)



For DSH (step 4)

Step 4 - Choose SER

SER Section (choose only one)

- NONE**
- SER4** (4 wires)
- SER8** (8 wires)
- SER12** (12 wires)

SER Location - if applicable (choose only one)

- STANDARD** - top of hinge, as shown
- CUSTOM** - specify top of hinge to CL of prep in inches

For ERS (steps 5 & 6)

Step 5 - Choose ERS Type
(choose only one)



- SINGLE POINT (ERS)**
(Top Flushbolt, standard)
- MULTI-POINT (ERSMP)**
(Frame jamb prep required)

Step 6 - Specify Lockset & Trim
(enter complete part number)

MFG: _____

Lockset: _____

Trim: _____

www.assaabloydooraccessories.us

USA:
Ventura, CA 93003
Phone: 800.283.9988

Memphis, TN 38141
Phone: 800.824.3018

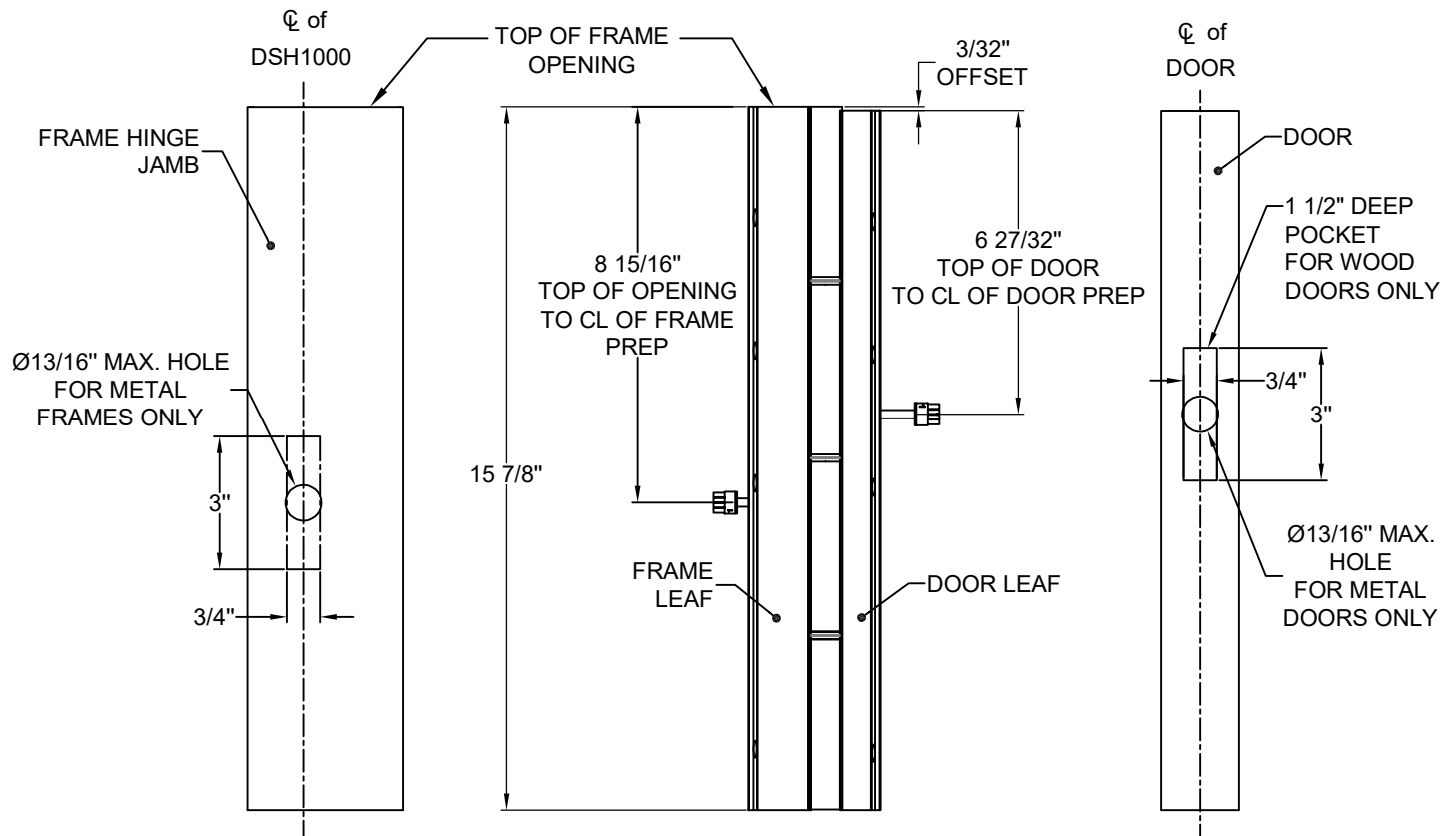
Canada:
Toronto, ON L4K4T9
Phone: 877.535.7888

Architectural Door Accessories

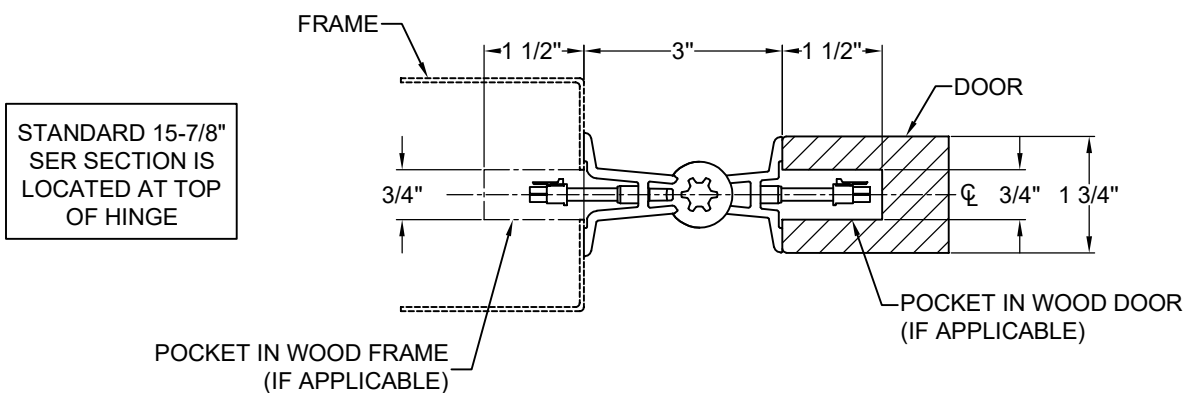
ASSA ABLOY
Opening Solutions

Markar DSH1000 SER

Experience a safer
and more open world



TOP VIEW



www.assaabloydooraccessories.us

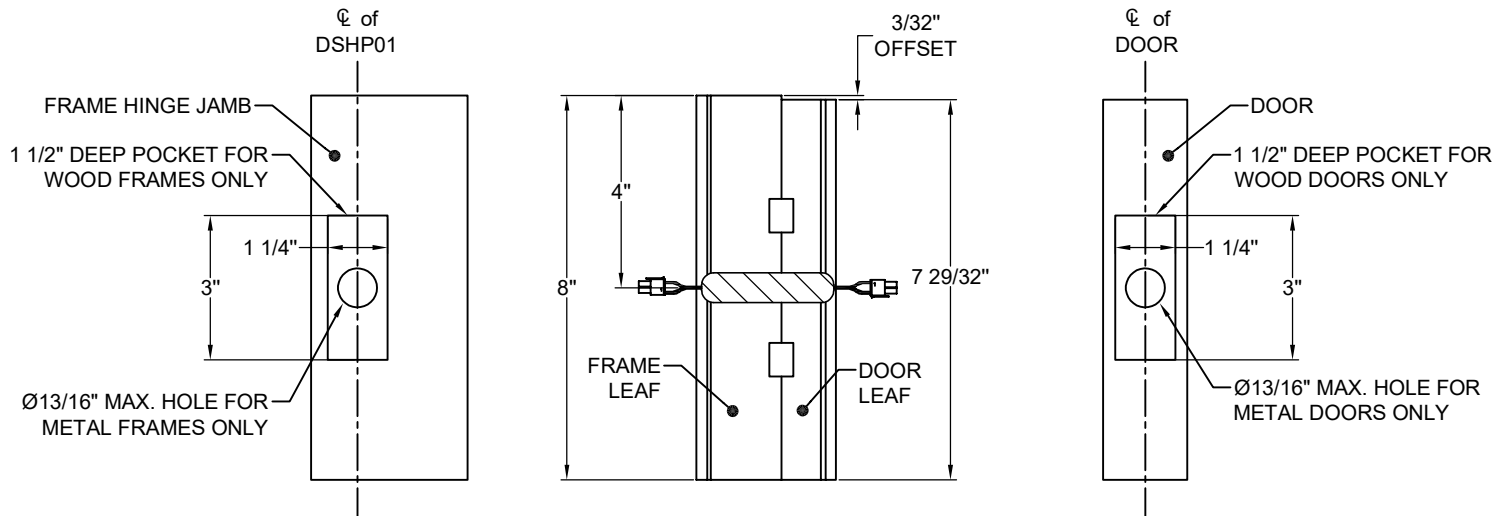
USA:
Ventura, CA 93003
Phone: 800.283.9988

Memphis, TN 38141
Phone: 800.824.3018

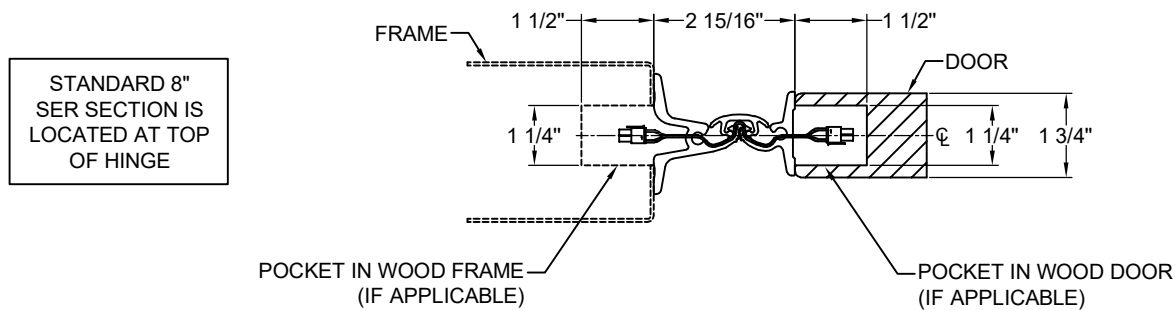
Canada:
Toronto, ON L4K4T9
Phone: 877.535.7888

Pemko DSHP01 SER

Experience a safer
and more open world



TOP VIEW



www.assaabloydooraccessories.us

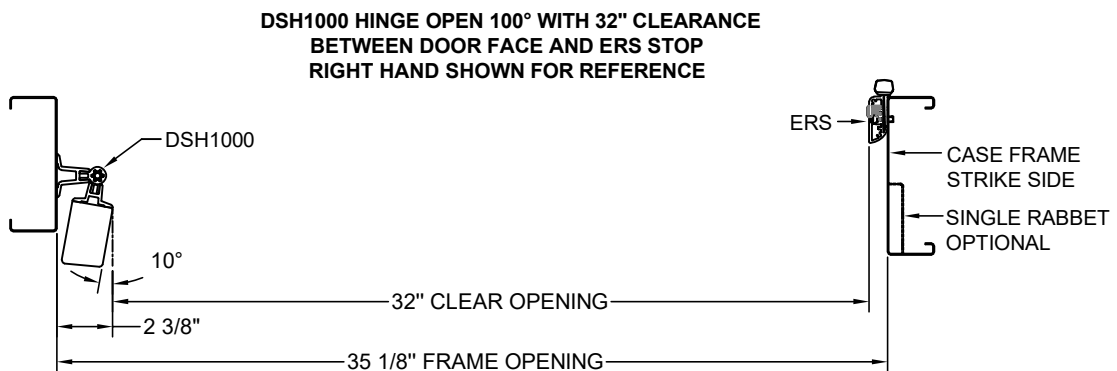
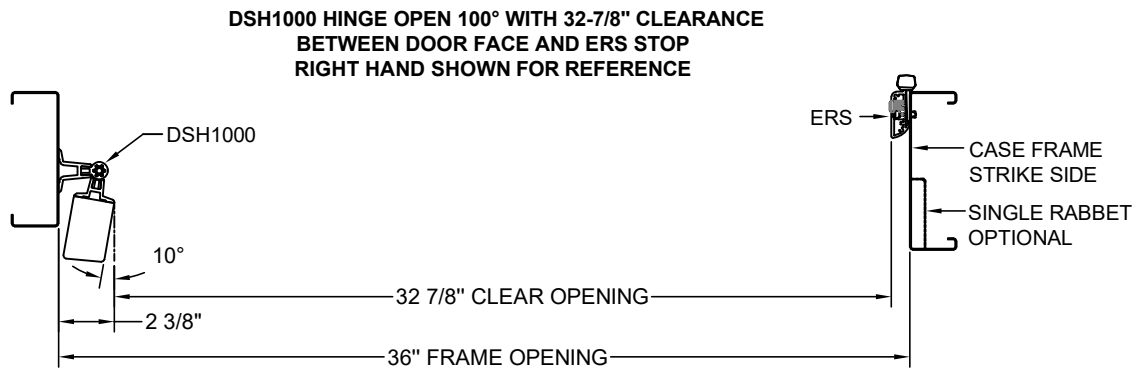
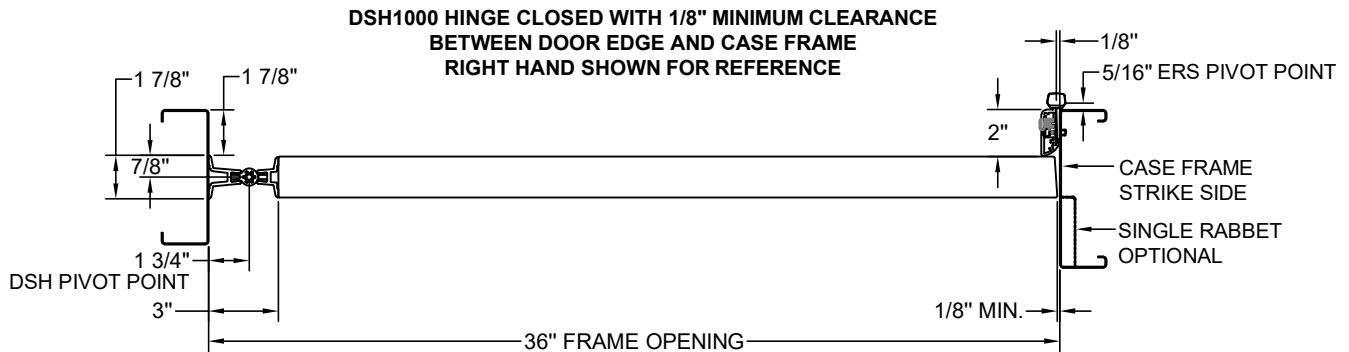
USA:
Ventura, CA 93003
Phone: 800.283.9988

Memphis, TN 38141
Phone: 800.824.3018

Canada:
Toronto, ON L4K4T9
Phone: 877.535.7888

DSH1000 x ERS_Door Clearances

Experience a safer
and more open world



www.assaabloydooraccessories.us

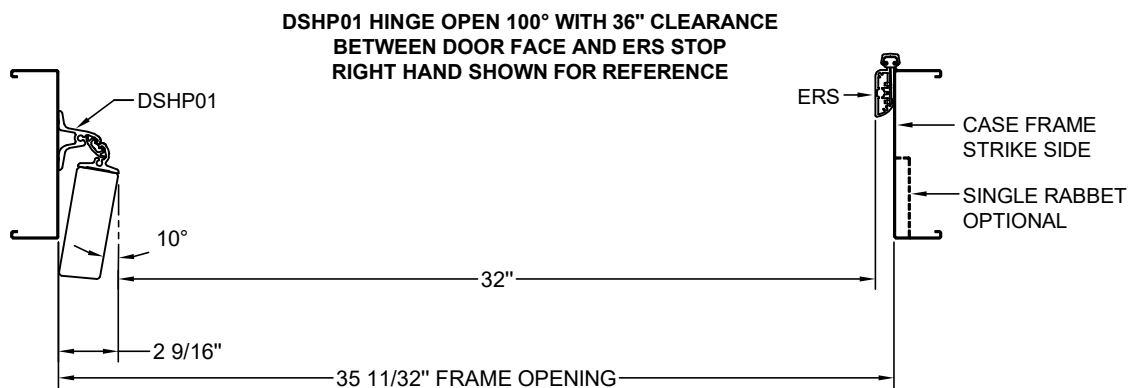
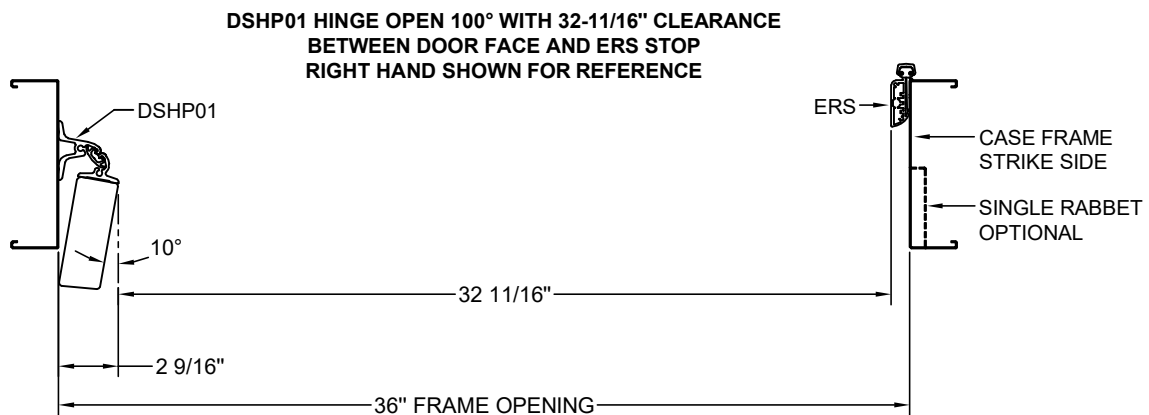
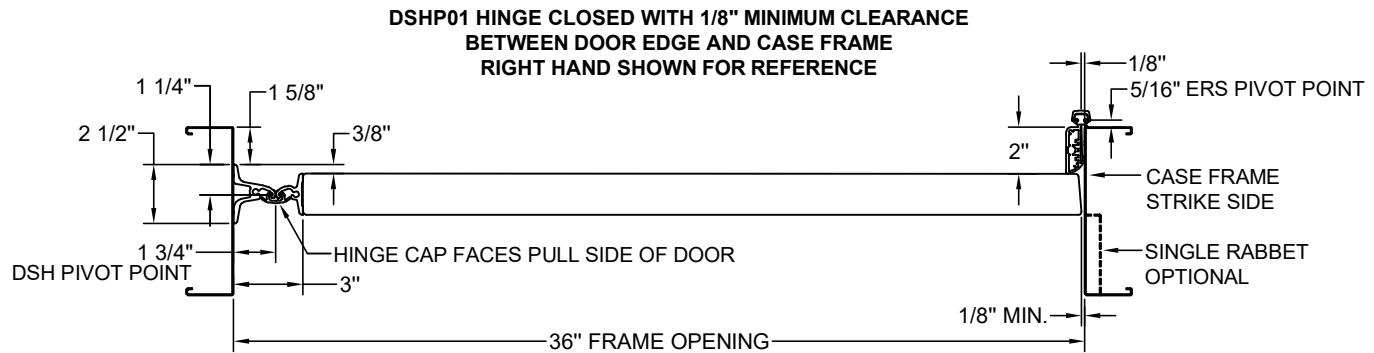
USA:
Ventura, CA 93003
Phone: 800.283.9988

Memphis, TN 38141
Phone: 800.824.3018

Canada:
Toronto, ON L4K4T9
Phone: 877.535.7888

DSHP01 x ERS_Door Clearances

Experience a safer
and more open world



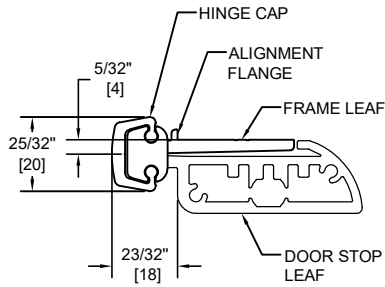
www.assaabloydooraccessories.us

USA:
Ventura, CA 93003
Phone: 800.283.9988

Memphis, TN 38141
Phone: 800.824.3018

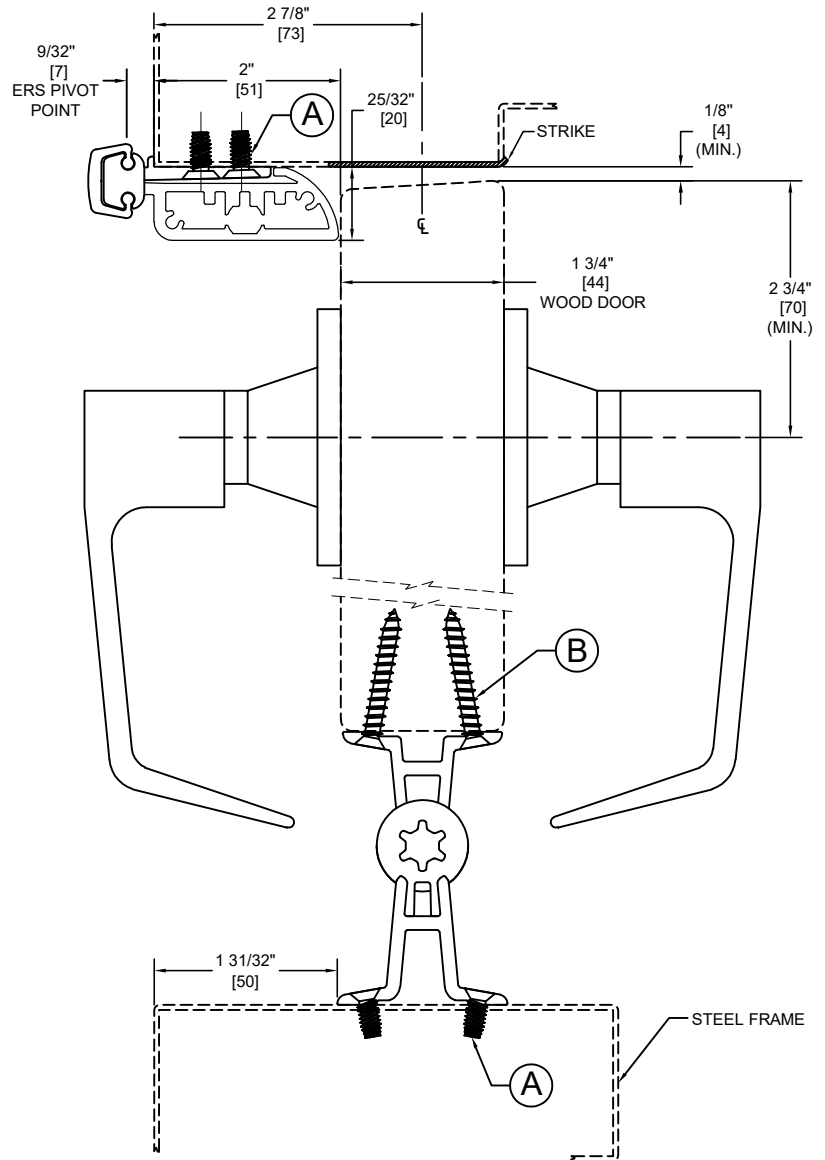
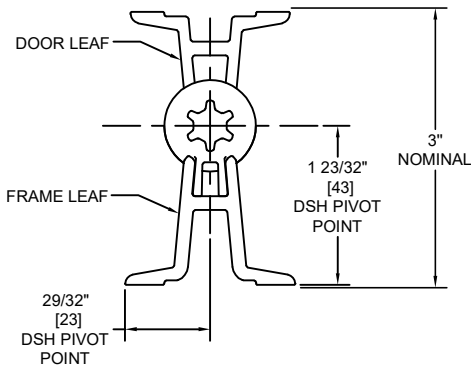
Canada:
Toronto, ON L4K4T9
Phone: 877.535.7888

RIGHT HAND SHOWN FOR REFERENCE ONLY



FASTENER CHART	
NOTE	MOUNT USING SPECIAL FASTENER
(A)	#12-24 x 7/16" FHUC SECURITY TORX
(B)	#12 x 1 1/2" x #10 FH SECURITY TORX

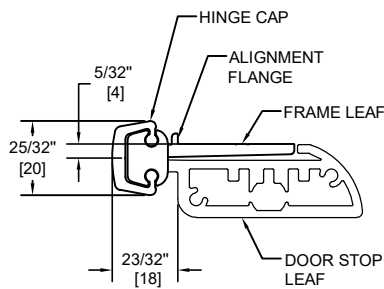
DRILL SIZE CHART		
MATERIAL	THICKNESS	DRILL SIZE
ALUMINUM	0.090" - 0.140"	13
METAL	20 GAUGE	17
METAL	16-18 GAUGE	15
METAL	12-14 GAUGE	13
WOOD	N/A	5/32"



Pemko DSHP01 x ERS_

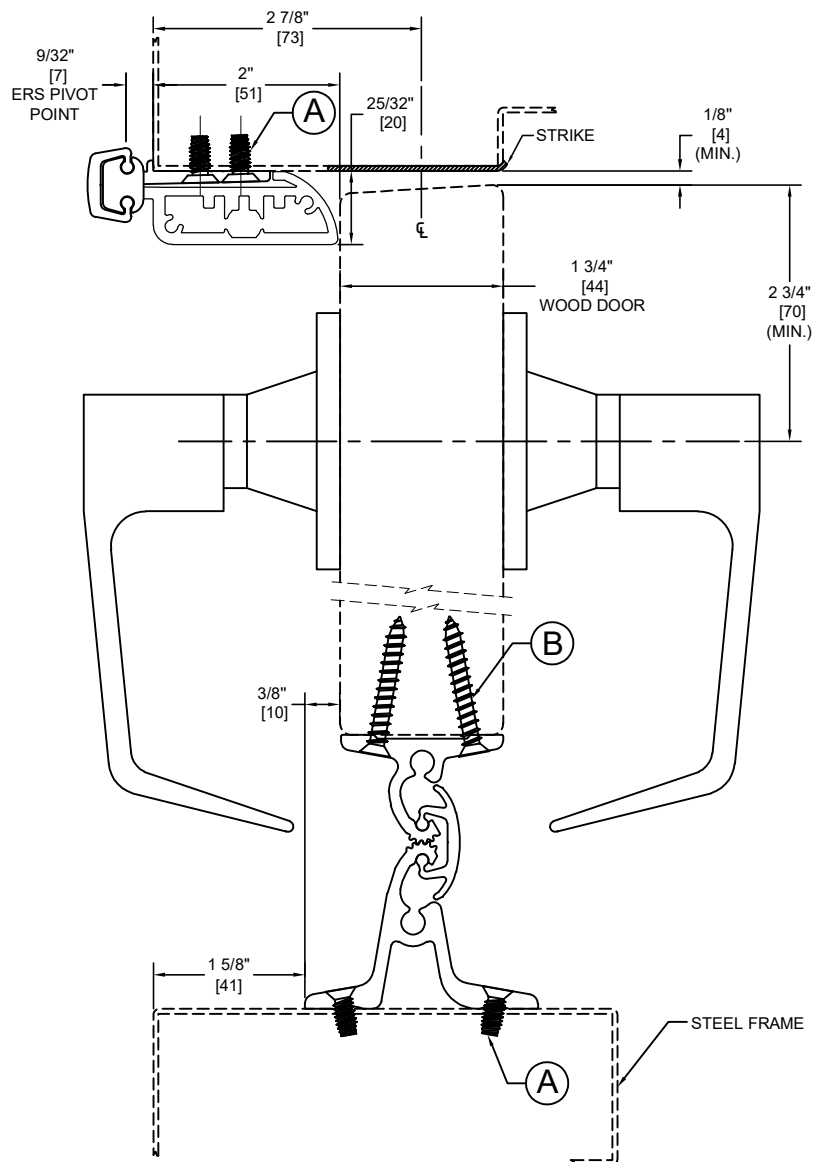
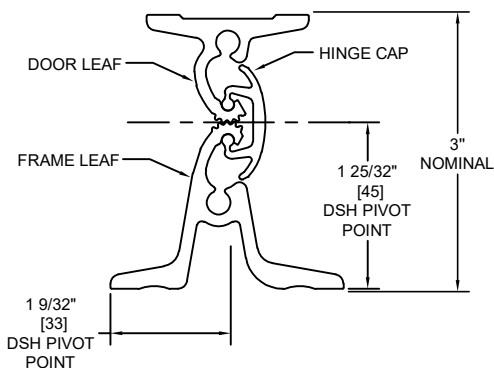
Experience a safer
and more open world

RIGHT HAND SHOWN FOR REFERENCE ONLY



FASTENER CHART	
NOTE	MOUNT USING SPECIAL FASTENER
(A)	#12-24 x 7/16" FHUC SECURITY TORX
(B)	#12 x 1 1/2" x #10 FH SECURITY TORX

DRILL SIZE CHART		
MATERIAL	THICKNESS	DRILL SIZE
ALUMINUM	0.090" - 0.140"	13
METAL	20 GAUGE	17
METAL	16-18 GAUGE	15
METAL	12-14 GAUGE	13
WOOD	N/A	5/32"



www.assaabloydooraccessories.us

USA:
Ventura, CA 93003
Phone: 800.283.9988

Memphis, TN 38141
Phone: 800.824.3018

Canada:
Toronto, ON L4K4T9
Phone: 877.535.7888