

Architectural Door Accessories

McKinney 120HD - Accessible Prep Standard Location Template

The global leader in
door opening solutions

Includes All Profiles (MCK-12HD shown)

DO NOT SCALE
ALL DIMENSIONS ARE FOR METAL FRAMES WITH METAL OR WOOD DOORS
DIMENSIONS: INCHES (MM)



DO NOT SCALE

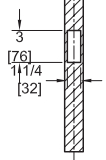
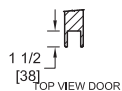
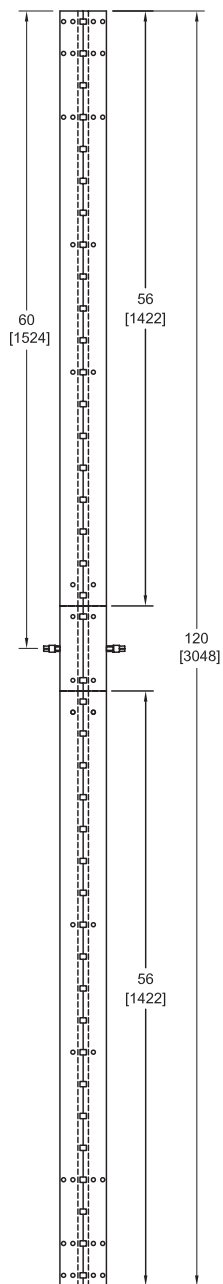
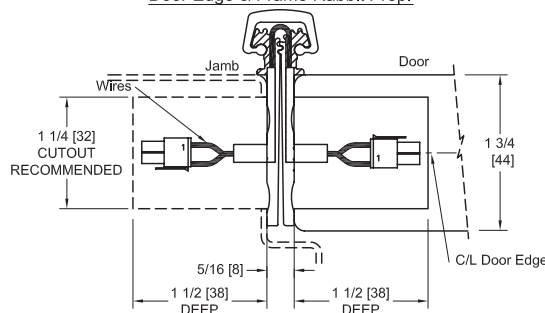
DOOR HINGE 76Y2 F-3HR
3HR REQUIRES FIRE PINS

Template
120HD-ACC
-14

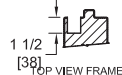
Effective date:
July 20, 2014

Supersedes: All Previous

QUICK CONNECT (QC) Application
Door Edge & Frame Rabbit Prep.



DOOR EDGE VIEW
1-1/4"W x 3"L x 1-1/2"DP CUTOUT
RECOMMENDED ON DOOR EDGE
& FRAME RABBIT



225 Episcopal Road
Berlin CT 060377
P: 800.346.7707 | F: 800.541.1073
www.mckinneyhinge.com | dss-orders@assaabloy.com

McKinney is a brand associated with Corbin Russwin, Inc., an ASSA ABLOY Group company. Copyright © 2017, Corbin Russwin, Inc. All rights reserved. Reproduction in whole or in part without the express written permission of Corbin Russwin, Inc. is prohibited.