

Architectural Door Accessories

McKinney 120HD QC or MM Standard Location Template

The global leader in
door opening solutions

Includes All Profiles Except Kawneer (MCK-12HD shown)

DO NOT SCALE
DIMENSIONS: INCHES (MM)



DO NOT SCALE

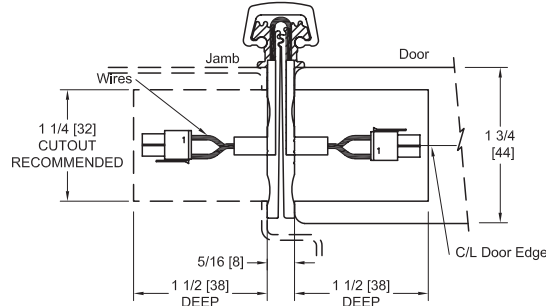
DOOR HINGE 76Y2 F-3HR
3HR REQUIRES FIRE PINS

Template 120HD-QC or MM-14

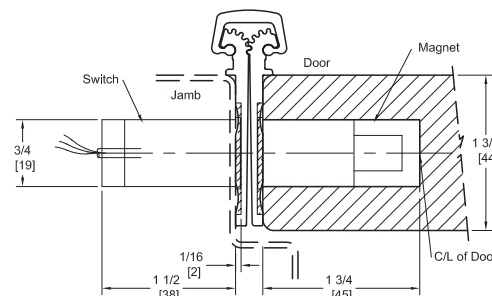
Effective date:
July 20, 2014

Supersedes: All Previous

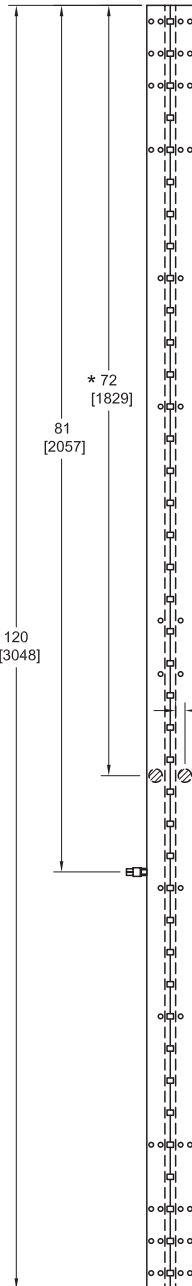
QUICK CONNECT (QC) Application Door Edge & Frame Rabbit Prep.



Magnetic Monitor (MM) Application Door Edge & Frame Rabbit Prep.



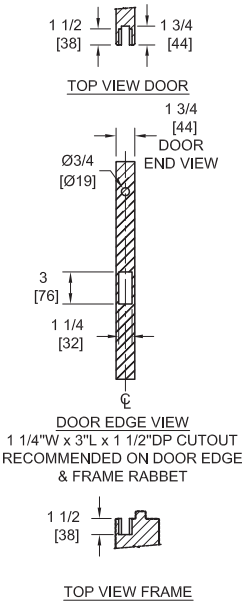
* Vertical location from top of hinge = 72" [1829]
Reference only Consult Manufacture for Specified Locations.



7/8 [22]
LOCATION OF CONCEALED MONITOR
IF FIRE RATED-PER NFPA 80
MAX. 3/4" DIA. HOLE ALLOWED.
1 HOLE REQ'D IN BOTH DOOR AND
FRAME FOR EACH MONITOR

1 1/4"Ø x 1/16" DP. RECESS IN EACH HINGE LEAF

LOCATION OF QC PREP.
1 HOLE REQ'D IN BOTH DOOR AND
FRAME FOR EACH WIRE SET.



225 Episcopal Road
Berlin CT 060377
P: 800.346.7707 | F: 800.541.1073
www.mckinneyhinge.com | dss-orders@assaabloy.com

McKinney is a brand associated with Corbin Russwin, Inc., an ASSA ABLOY Group company. Copyright © 2017, Corbin Russwin, Inc. All rights reserved. Reproduction in whole or in part without the express written permission of Corbin Russwin, Inc. is prohibited.