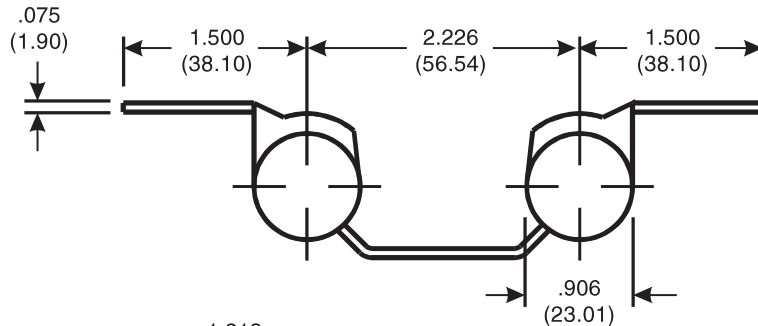


Architectural Door Accessories

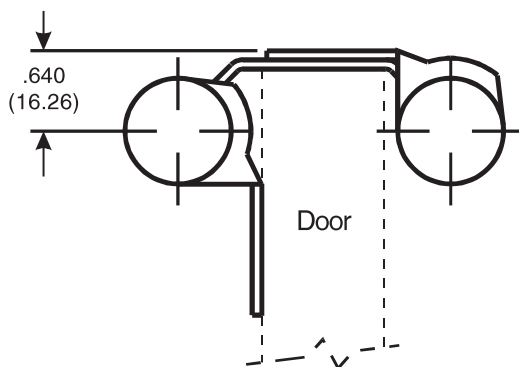
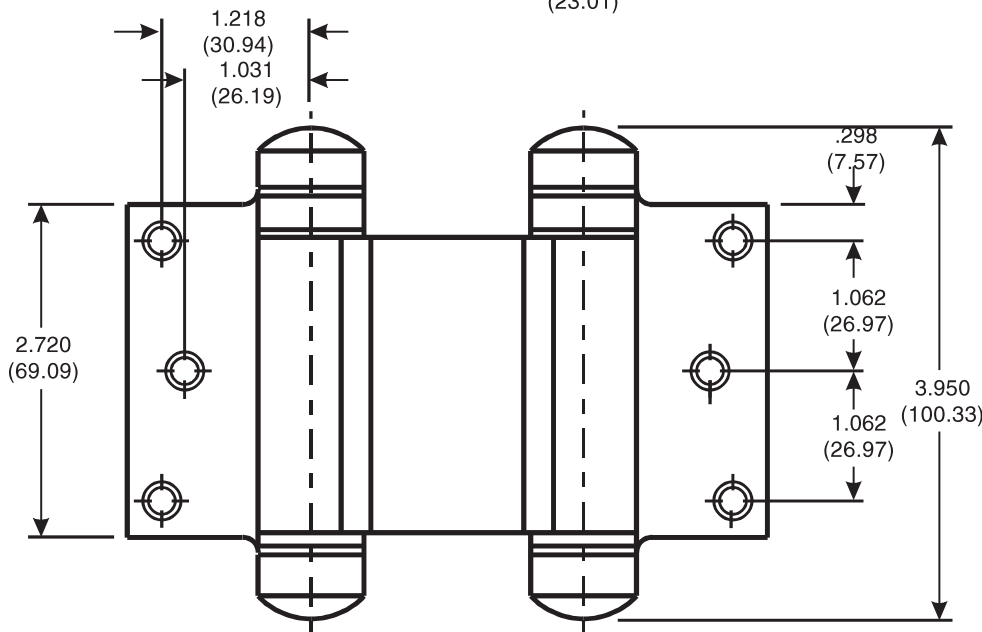
McKinney 3" - HS1001 Template Half Surface Double Acting Spring Hinge

The global leader in
door opening solutions

DO NOT SCALE
DIMENSIONS: INCHES (MM)



**For 3/4" (19.0) to
1" (25.4) Thick
Doors**



Template 370-98

Effective date:
March 30, 1998

Supersedes: All Previous

McKINNEY Template Half
Surface Double Acting
Spring Hinge is made to
conform to this drawing.

Wood Screw Size:
3/4 x 7 F.H.

225 Episcopal Road
Berlin CT 060377
P: 800.346.7707 | F: 800.541.1073
www.mckinneyhinge.com | dss-orders@assaabloy.com

McKinney is a brand associated with Corbin Russwin, Inc., an ASSA ABLOY Group company. Copyright © 2017, Corbin Russwin, Inc. All rights reserved. Reproduction in whole or in part without the express written permission of Corbin Russwin, Inc. is prohibited.