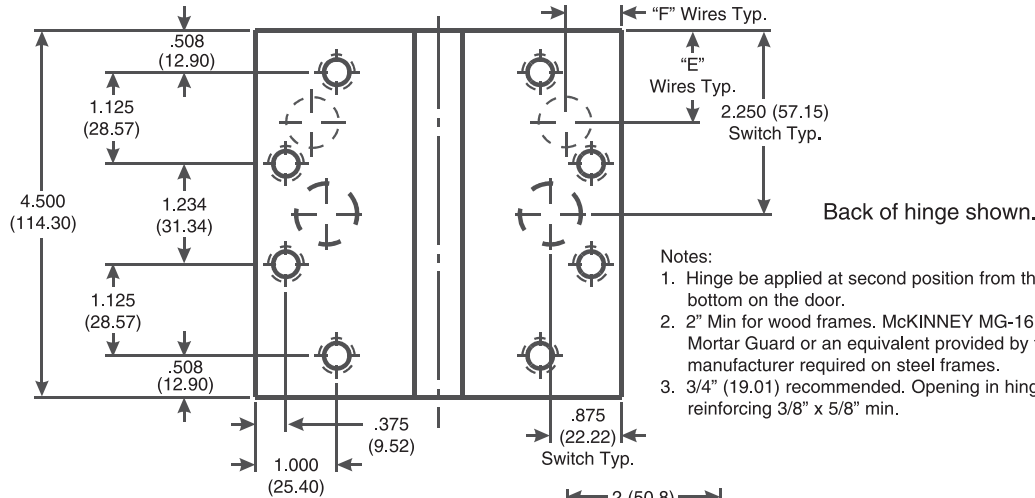


Architectural Door Accessories

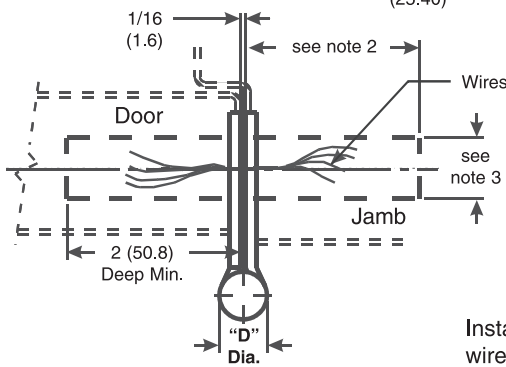
McKinney 4 1/2 x 4, 4 1/2 x 4 1/2 Full Mortise Concealed Circuit x Magnetic Monitoring Hinges

The global leader in door opening solutions

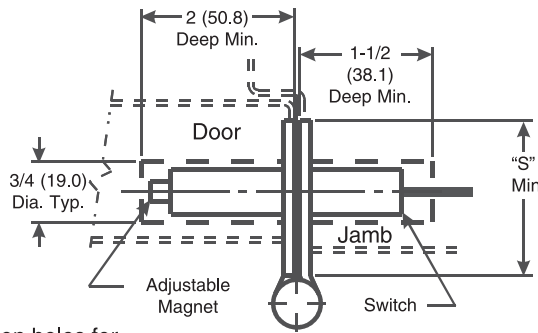
DO NOT SCALE
DIMENSIONS: INCHES (MM)



- Notes:
- Hinge be applied at second position from the bottom on the door.
 - 2" Min for wood frames. McKinney MG-16 Mortar Guard or an equivalent provided by frame manufacturer required on steel frames.
 - 3/4" (19.01) recommended. Opening in hinge reinforcing 3/8" x 5/8" min.



Top view section through wires (Hinge in closed position)



Top view section through switch (Hinge in closed position)

Installation holes for wires to be burr free

CATALOG NUMBER		GAUGE OF METAL	"D" OUTSIDE DIAMETER	"E" WIRE LOCATION	"F" WIRE LOCATION	"S" (SWAGE LINE) HINGE WIDTH	
STEEL HINGES	*NON-FERROUS HINGES					4 (101.6)	4 1/2 (114.3)
TA 714xCCxMM	TA 314xCCxMM	.134 (3.40)	.585 (14.86)	1.125 (28.57)	.812 (20.64)	1-21/32 (42.1)	1-29/32 (48.4)
TA 786xCCxMM	TA 386xCCxMM	.180 (4.57)	.720 (18.29)	1.125 (28.57)	.812 (20.64)	1-9/16 (39.7)	1-13/16 (46.0)
TA/TB 2714xCCxMM	TA/TB 2314xCCxMM	.134 (3.40)	.585 (14.86)	1.125 (28.57)	.688 (17.47)	1-21/32 (42.1)	1-29/32 (48.4)
T4A/T4B 3786xCCxMM	T4A/T4B 3386xCCxMM	.180 (4.57)	.752 (19.10)	1.062 (26.96)	.750 (19.05)	1-9/16 (39.7)	1-13/16 (46.0)

Template 321-17

Effective date:
July 27, 2017

Supersedes: All Previous

McKinney Template Hinges of the Catalog Numbers are made to conform to ANSI/BHMA 156.7 for Screw Hole Location and Gauge of Metal. Switch size, wire location and hole size conforms to this drawing.

Machine Screw Size:
1/2 x 12-24 F.H.

Wood Screw Size:
1 1/4 x 12 F.H.

*Check Catalog for Metals.

225 Episcopal Road
Berlin CT 060377
P: 800.346.7707 | F: 800.541.1073
www.mckinneyhinge.com | dss-orders@assaabloy.com

McKinney is a brand associated with Corbin Russwin, Inc., an ASSA ABLOY Group company. Copyright © 2017, Corbin Russwin, Inc. All rights reserved. Reproduction in whole or in part without the express written permission of Corbin Russwin, Inc. is prohibited.