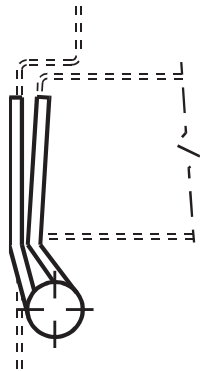


Architectural Door Accessories

McKinney 4 1/2 x 4 1/2 Raised Barrel Template Hinges For Beveled Edge Doors

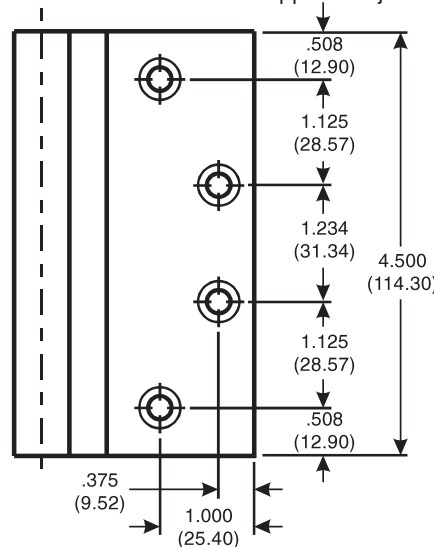
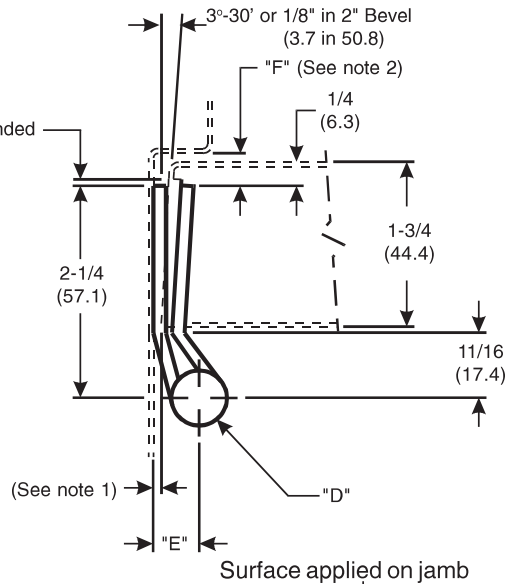
The global leader in
door opening solutions

DO NOT SCALE
DIMENSIONS: INCHES (MM)



Mortise in jamb

1/32 (0.08) Recommended
minimum clearance
between door mortise
and jamb leaf (3 sides)



Notes:

1. Clearance between door & jamb determined by depth of mortise 1/16 Min. (1.6)
2. Recommended for approx. 1/16 (1.6) clearance between door & stop
3. For raised barrel template hinges for straight edge doors see template 070

CATALOG NUMBER	GAUGE OF METAL	"D" OUTSIDE DIAMETER	"E" BARREL C/L TO BACK OF JAMB LEAF	"F" (SEE NOTE 2)
RB TA/TB 4714	.134 (3.40)	.603 (15.32)	31/64 (12.3)	11/32 (8.7)
RB T4A/T4B 4786	.180 (4.57)	.752 (19.10)	5/8 (15.9)	3/8 (9.5)

Template 075-15

Effective date:
September 1, 2015

Supersedes: All Previous

McKINNEY Template Raised Barrel Hinges are made in size, gauge and with screw holes located to conform to this drawing.

Machine Screw Size:
1/2 x 12-24 F.H.

Wood Screw Size:
1 1/4 x 12 F.H.

225 Episcopal Road
Berlin CT 060377
P: 800.346.7707 | F: 800.541.1073
www.mckinneyhinge.com | dss-orders@assaabloy.com

McKinney is a brand associated with Corbin Russwin, Inc., an ASSA ABLOY Group company. Copyright © 2017, Corbin Russwin, Inc. All rights reserved. Reproduction in whole or in part without the express written permission of Corbin Russwin, Inc. is prohibited.