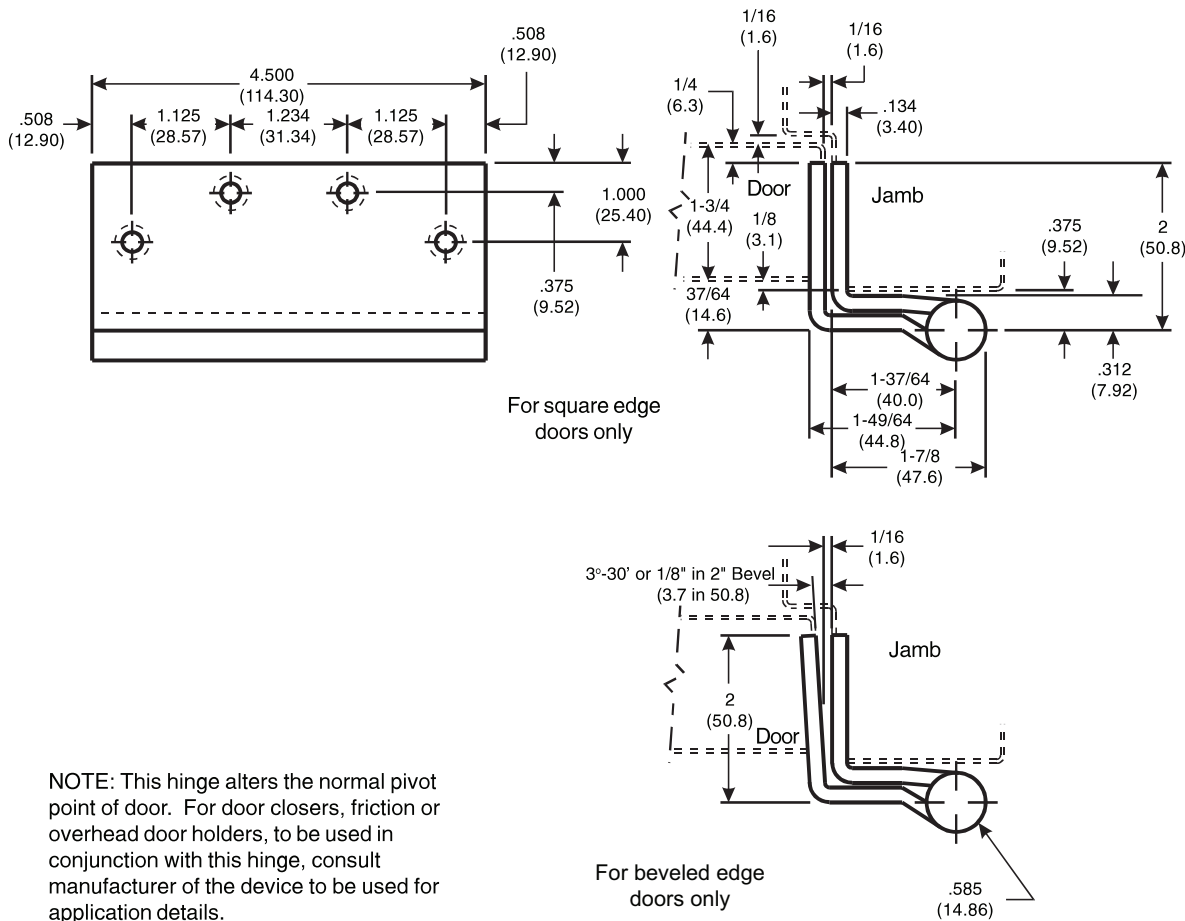


Architectural Door Accessories

McKinney 4 1/2" Full Mortise "Swing Clear" Template Hinges

The global leader in
door opening solutions

DO NOT SCALE
DIMENSIONS: INCHES (MM)



NOTE: This hinge alters the normal pivot point of door. For door closers, friction or overhead door holders, to be used in conjunction with this hinge, consult manufacturer of the device to be used for application details.

Template 105-15

Effective date:
September 1, 2015

Supersedes: All Previous

McKINNEY Template Swing Clear Hinges are made in size, gauge and with screw holes located to conform to this drawing.

Hospital Type Template Hinges conform to screw hole locations shown.

Machine Screw Size:
1/2 x 12-24 F.H.

Wood Screw Size:
1 1/4 x 12 F.H.

Hinges are reversible.

*Check Catalog for Metals.

CATALOG NUMBER		CATALOG NUMBER	
STEEL HINGES		*NON-FERROUS OR STAINLESS STEEL HINGES	
SQUARE EDGE	BEVELED EDGE	SQUARE EDGE	BEVELED EDGE
TA/TB 2895	TA/TB 4895	TA/TB 2395	TA/TB 4395

225 Episcopal Road
Berlin CT 060377
P: 800.346.7707 | F: 800.541.1073
www.mckinneyhinge.com | dss-orders@assaabloy.com

McKinney is a brand associated with Corbin Russwin, Inc., an ASSA ABLOY Group company. Copyright © 2017, Corbin Russwin, Inc. All rights reserved. Reproduction in whole or in part without the express written permission of Corbin Russwin, Inc. is prohibited.