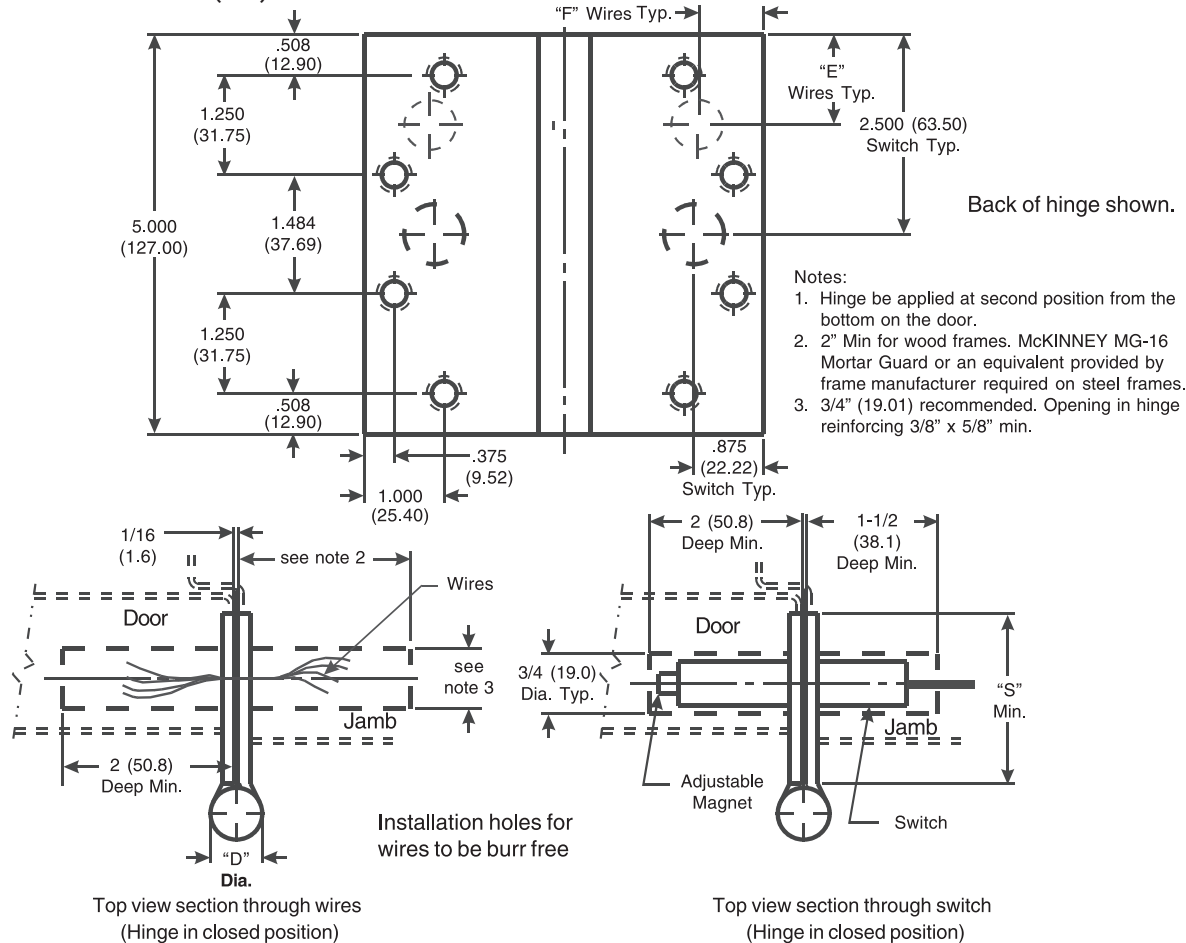


# Architectural Door Accessories

## McKinney 5 x 4<sup>1</sup>/<sub>2</sub>, 5 x 5 Full Mortise Concealed Circuit x Magnetic Monitoring Hinges

The global leader in  
door opening solutions

DO NOT SCALE  
DIMENSIONS: INCHES (MM)



## Template 322-15

**Effective date:**  
September 8, 2015

**Supersedes:** All Previous

McKINNEY Template Hinges of the Catalog Numbers are made to conform to ANSI/BHMA 156.7 for Screw Hole Location and Gauge of Metal. Switch size, wire location and hole size conforms to this drawing.

**Machine Screw Size:**  
1/2 x 12-24 F.H.

**Wood Screw Size:**  
1 1/4 x 12 F.H.

\*Check Catalog for Metals.

CATALOG NUMBER		GAUGE OF METAL	"D" OUTSIDE DIA.	"E" WIRE LOCATION	"F" WIRE LOCATION	"S" (SWAGE LINE)	
STEEL HINGES	*NON-FERROUS HINGES					HINGE WIDTH	
						4 1/2 (114.3)	5 (127.0)
TA 714xCCxMM	TA 314xCCxMM	.146 (3.71)	.648 (16.46)	1.125 (28.57)	.812 (20.64)	1-7/8 (47.6)	2-1/8 (53.9)
TA 786xCCxMM	TA 386xCCxMM	.190 (4.83)	.752 (19.10)	1.125 (28.57)	.812 (20.64)	1-53/64 (46.4)	2-5/64 (52.8)
TA/TB 2714xCCxMM	TA/TB 2314xCCxMM	.146 (3.71)	.648 (16.46)	1.125 (28.57)	.812 (20.64)	1-7/8 (47.6)	2-1/8 (53.9)
T4A/T4B 3786xCCxMM	T4A/T4B 3386xCCxMM	.190 (4.83)	.752 (19.10)	1.062 (26.96)	.750 (19.05)	1-53/64 (46.4)	2-5/64 (52.8)

225 Episcopal Road  
Berlin CT 060377  
P: 800.346.7707 | F: 800.541.1073  
www.mckinneyhinge.com | dss-orders@assaabloy.com

McKinney is a brand associated with Corbin Russwin, Inc., an ASSA ABLOY Group company. Copyright © 2017, Corbin Russwin, Inc. All rights reserved. Reproduction in whole or in part without the express written permission of Corbin Russwin, Inc. is prohibited.