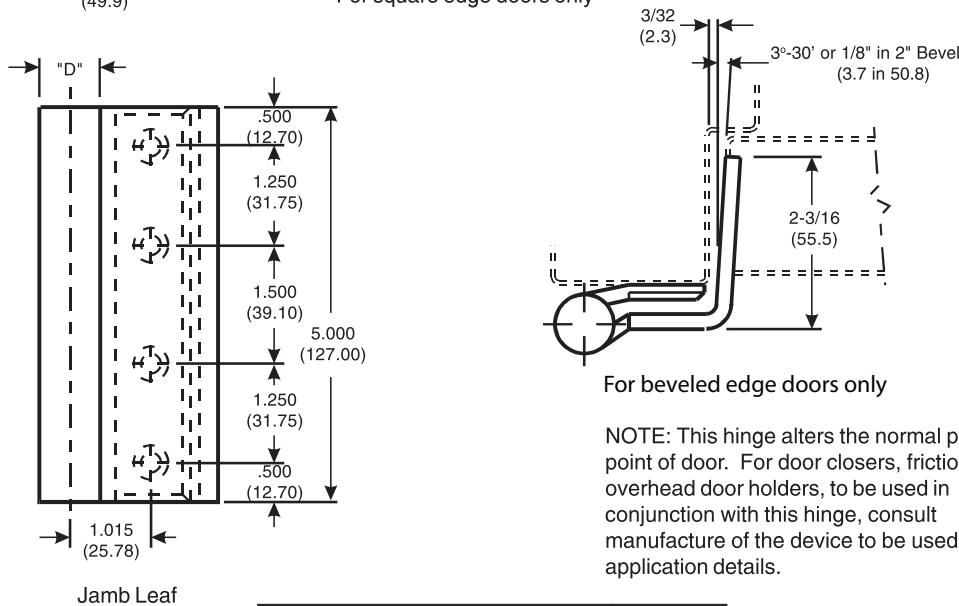
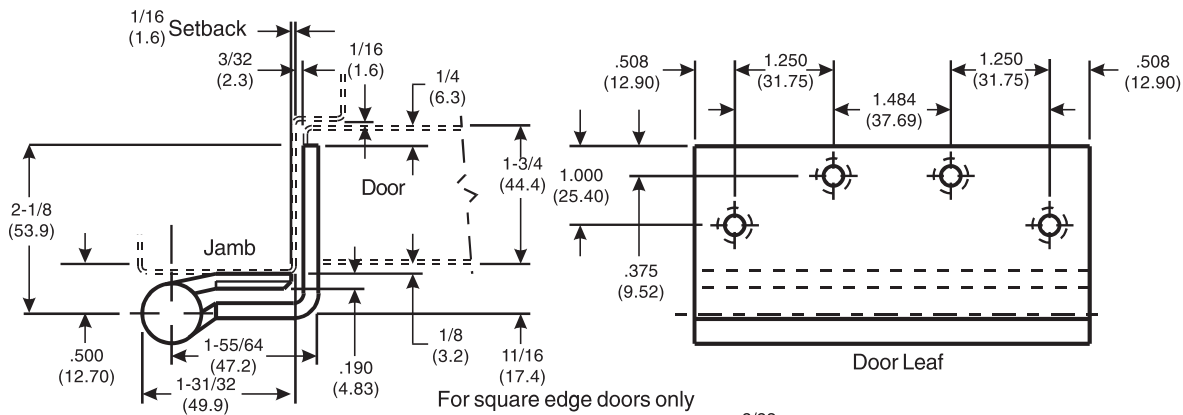


# Architectural Door Accessories

## McKinney 5" Half Mortise "Swing Clear" Template Hinges

The global leader in  
door opening solutions

DO NOT SCALE  
DIMENSIONS: INCHES (MM)



NOTE: This hinge alters the normal pivot point of door. For door closers, friction or overhead door holders, to be used in conjunction with this hinge, consult manufacture of the device to be used for application details.

CATALOG NUMBER		"D" OUTSIDE DIAMETER
STEEL HINGES		
SQUARE EDGE	BEVELED EDGE	
TA 789	TA 5789	.752 (19.10)
T4A/T4B 3789	T4A/T4B 4789	.752 (19.10)

## Template 210-15

**Effective date:**  
September 2, 2015

**Supersedes:** All Previous

McKINNEY Template Half Mortise Hinges of the Catalog Numbers are made to conform to ANSI/BHMA 156.7.

Hospital Type Template Hinges conform to screw hole locations shown.

Machine Screw Size:  
Jamb Leaf: 1/2 x 1/4-20 F.H.  
Door Leaf: 1/2 x 12-24 F.H.

Wood Screw Size:  
Door Leaf: 1 1/4 x 12 F.H.

Hinges are reversible.

225 Episcopal Road  
Berlin CT 060377  
P: 800.346.7707 | F: 800.541.1073  
www.mckinneyhinge.com | dss-orders@assaabloy.com

McKinney is a brand associated with Corbin Russwin, Inc., an ASSA ABLOY Group company. Copyright © 2017, Corbin Russwin, Inc. All rights reserved. Reproduction in whole or in part without the express written permission of Corbin Russwin, Inc. is prohibited.