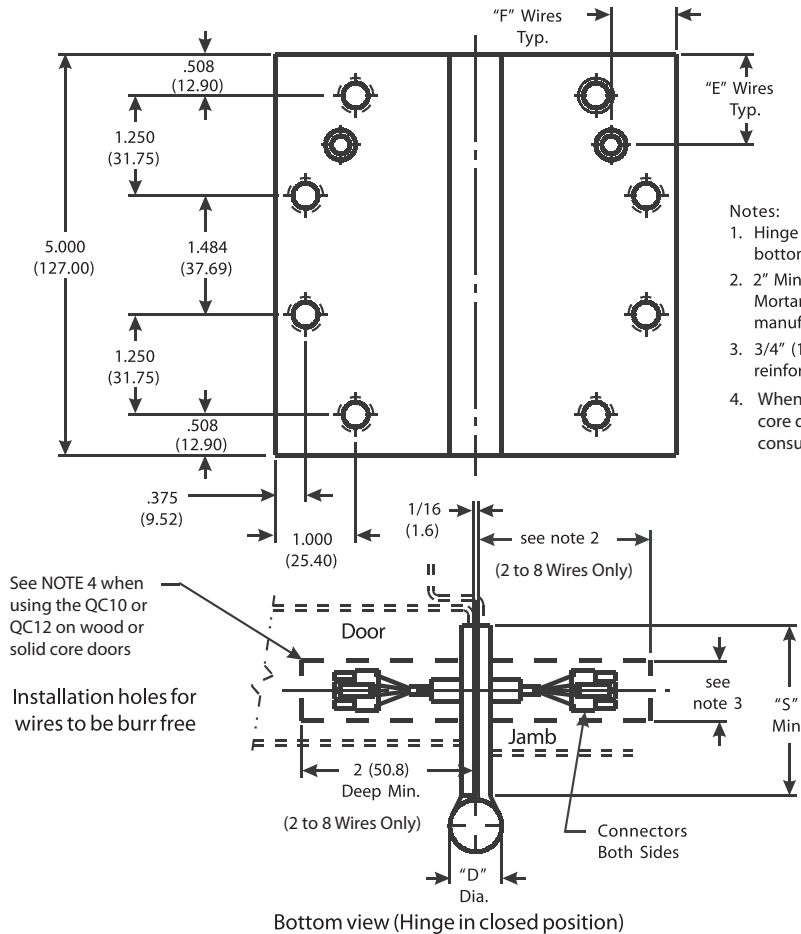


Architectural Door Accessories

McKinney 5 x 4 1/2, 5 x 5 Template Full Mortise, QC* Hinge (2 to 12 Wires)

The global leader in
door opening solutions

DO NOT SCALE
DIMENSIONS: INCHES (MM)



- Notes:
1. Hinge be applied at second position from the bottom on the door.
 2. 2" Min for wood frames. McKINNEY MG-16 Mortar Guard or an equivalent provided by frame manufacturer required on steel frames.
 3. 3/4" (19.01) recommended. Opening in hinge reinforcing 3/8" x 5/8" min.
 4. When using the QC10 or QC12 on a wood or solid core door a pocket is required for wires and connectors consult factory for details.

Back of hinge shown.

Template 283-15

Effective date:
September 8, 2015

Supersedes: All Previous

McKINNEY Template Hinges of the Catalog Numbers are made to conform to ANSI/BHMA 156.7 for Screw Hole Location and Gauge of Metal. Wire location and hole size conforms to this drawing.

Machine Screw Size:
1/2 x 12-24 F.H.

Wood Screw Size:
1 1/4 x 12 F.H.

*Connector system utilizes wire colors & locations compatible with doors & hardware from other ASSA ABLOY Group Companies.

**Check Catalog for Metals.

CATALOG NUMBER		GAUGE OF METAL	"D" OUTSIDE DIAMETER	"E" WIRE LOCATION	"F" WIRE LOCATION	"S" DISTANCE (SWAGE LINE)	
STEEL HINGES	**NON-FERROUS HINGES					HINGE WIDTH	
						4 1/2 (114.3)	5 (127.0)
TA 714xQC	TA 314xQC	.146 (3.71)	.648 (16.46)	1.125 (28.57)	.812 (20.62)	1-7/8 (47.6)	2-1/8 (53.9)
TA 786xQC	TA 386xQC	.190 (4.83)	.752 (19.10)	1.125 (28.57)	.812 (20.62)	1-53/64 (46.4)	2-5/64 (52.8)
TA/TB 2714xQC	TA/TB 2314xQC	.146 (3.71)	.648 (16.46)	1.125 (28.57)	.812 (20.62)	1-7/8 (47.6)	2-1/8 (53.9)
T4A/T4B 3786xQC	T4A/T4B 3386xQC	.190 (4.83)	.752 (19.10)	1.062 (26.96)	.750 (19.03)	1-53/64 (46.4)	2-5/64 (52.8)

225 Episcopal Road
Berlin CT 060377
P: 800.346.7707 | F: 800.541.1073
www.mckinneyhinge.com | dss-orders@assaabloy.com

McKinney is a brand associated with Corbin Russwin, Inc., an ASSA ABLOY Group company. Copyright © 2017, Corbin Russwin, Inc. All rights reserved. Reproduction in whole or in part without the express written permission of Corbin Russwin, Inc. is prohibited.