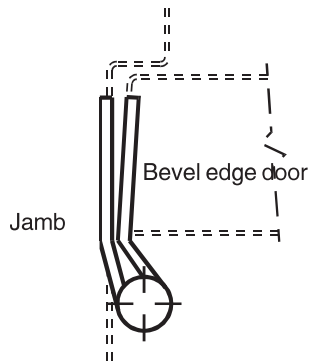


Architectural Door Accessories

McKinney 5 x 4 1/2 Raised Barrel Template Hinges For Beveled Edge Doors

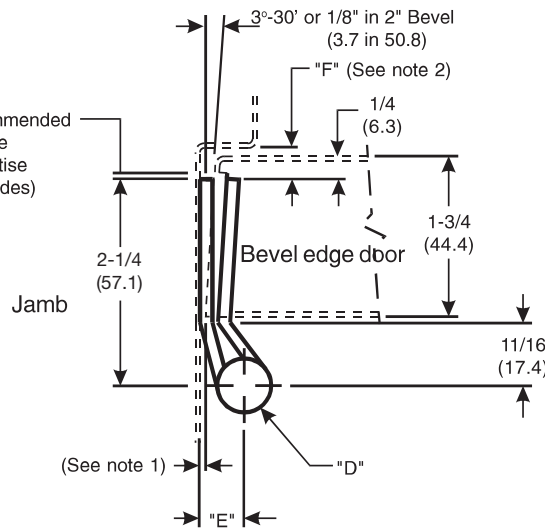
The global leader in
door opening solutions

DO NOT SCALE
DIMENSIONS: INCHES (MM)

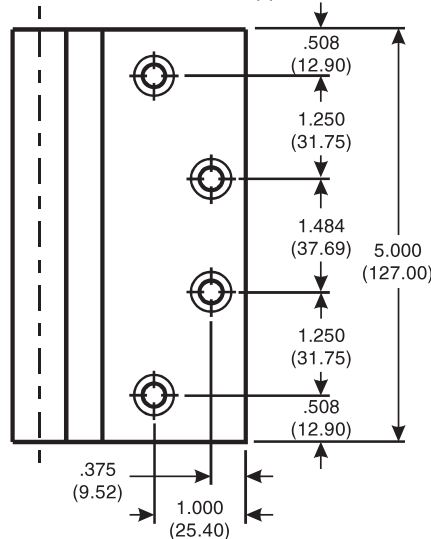


Mortise in jamb

1/32 (0.08) Recommended minimum clearance between door mortise and jamb leaf (3 sides)



Surface application



Notes:

1. Clearance between door & jamb determined by depth of mortise 1/16 Min. (1.6)
2. Recommended for approx. 1/16 (1.6) clearance between door & stop
3. For raised barrel template hinges for straight edge doors see template 071

| CATALOG NUMBER | GAUGE OF METAL | "D" OUTSIDE DIAMETER | "E" BARREL C/L TO BACK OF JAMB LEAF | "F" (SEE NOTE 2) |
|-----------------|----------------|----------------------|-------------------------------------|------------------|
| STEEL HINGES | | | | |
| RB T4A/T4B 4786 | .190 (4.83) | .752 (19.10) | 5/8 (15.9) | 3/8 (9.5) |

Template 076-15

Effective date:
September 1, 2015

Supersedes: All Previous

McKINNEY Template Raised Barrel Hinges are made in size, gauge and with screw holes located to conform to this drawing.

Machine Screw Size:
1/2 x 12-24 F.H.

Wood Screw Size:
1 1/4 x 12 F.H.