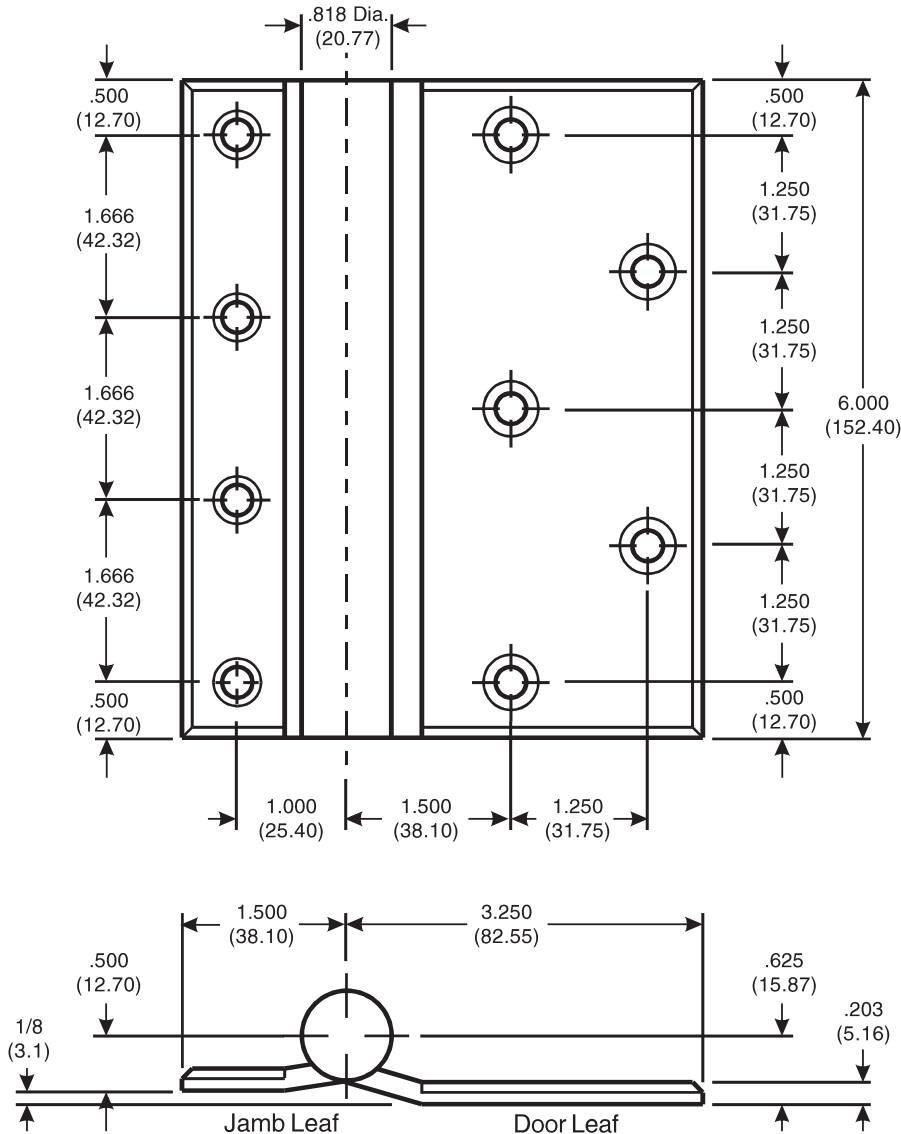


Architectural Door Accessories

McKinney 6" Full Surface Template Hinges

The global leader in
door opening solutions

DO NOT SCALE
DIMENSIONS: INCHES (MM)



STEEL HINGES	*NON-FERROUS OR STAINLESS STEEL HINGES
T4A/T4B 3781	T4A/T4B 3381

Template 140-15

Effective date:
September 2, 2015

Supersedes: All Previous

McKINNEY Template Full Surface Hinges of the Catalog Numbers are made to conform to ANSI/BHMA 156.7.

Hospital Type Template Hinges conform to screw hole locations shown.

Machine Screw Size:
Jamb Leaf: 1/2 x 1/4-20 F.H.
Door Leaf: 2 x 1/4-20 O.H.
with Grommet Nut
(Specify door thickness if greater than 1 3/4)

Hinges are reversible.

*Check Catalog for Metals.

225 Episcopal Road
Berlin CT 060377
P: 800.346.7707 | F: 800.541.1073
www.mckinneyhinge.com | dss-orders@assaabloy.com

McKinney is a brand associated with Corbin Russwin, Inc., an ASSA ABLOY Group company. Copyright © 2017, Corbin Russwin, Inc. All rights reserved. Reproduction in whole or in part without the express written permission of Corbin Russwin, Inc. is prohibited.