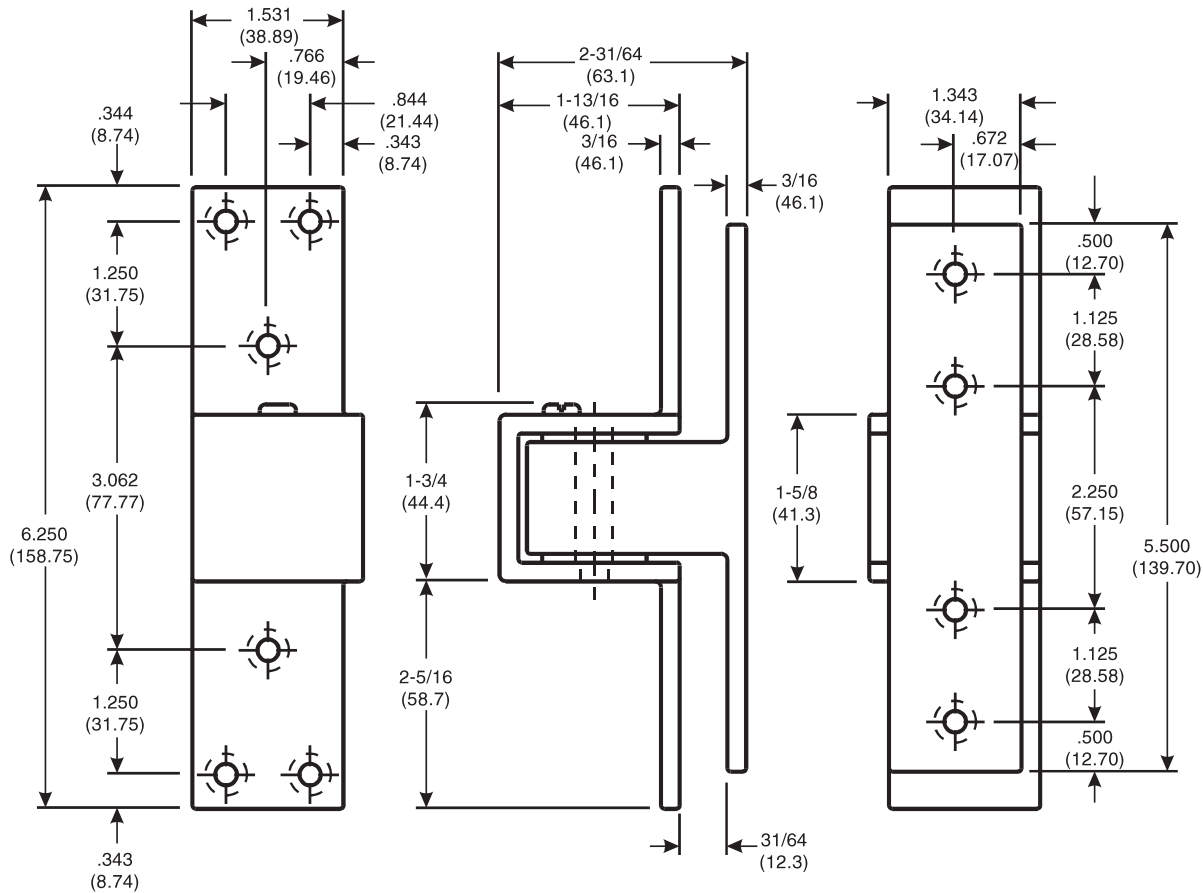
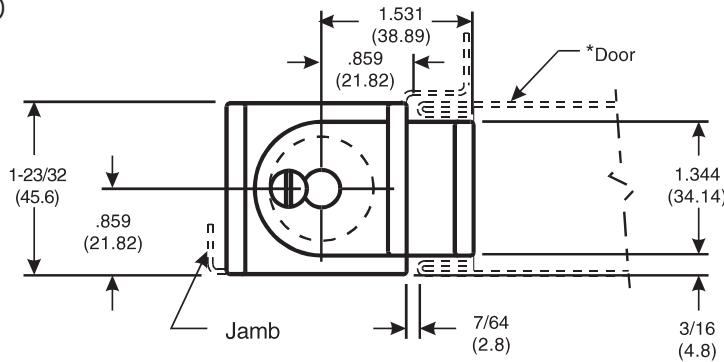


Architectural Door Accessories

McKinney PH-4 6¹/₄ x 1¹⁷/₃₂ Template Pocket Hinge

The global leader in
door opening solutions

DO NOT SCALE
DIMENSIONS: INCHES (MM)



Template 226-10

Effective date:
August 20, 2010

Supersedes: All Previous

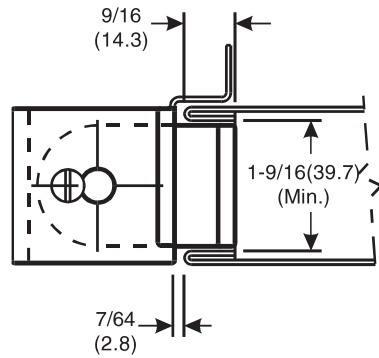
McKINNEY Template
Pocket Hinge is made to
conform to this drawing.

Machine Screw Size:
3/4 x 12-24 F.H.

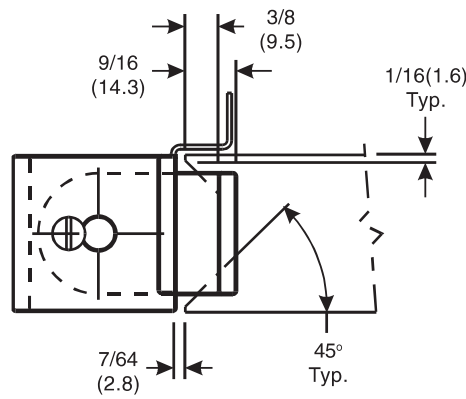
Wood Screw Size:
1 1/4 x 12 F.H.

*See Back for suggested
door preparations.

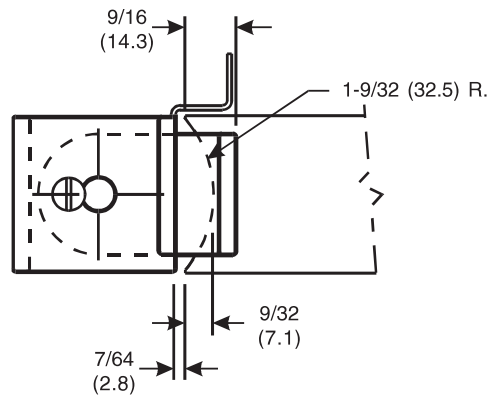
DO NOT SCALE
DIMENSIONS: INCHES (MM)



Suggested hollow metal door preparation



Suggested wood door preparation (Style 1)



Suggested wood door preparation (Style 2)

Template 226-10

Effective date:
August 20, 2010

Supersedes: All Previous