

Architectural Door Accessories

McKinney 79HD - Serviceable Prep Standard Location Template

The global leader in
door opening solutions

Includes All Profiles (MCK-12HD shown)

DO NOT SCALE
ALL DIMENSIONS ARE FOR METAL FRAMES WITH METAL OR WOOD DOORS
DIMENSIONS: INCHES (MM)



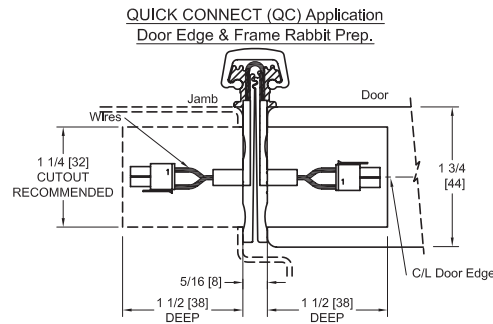
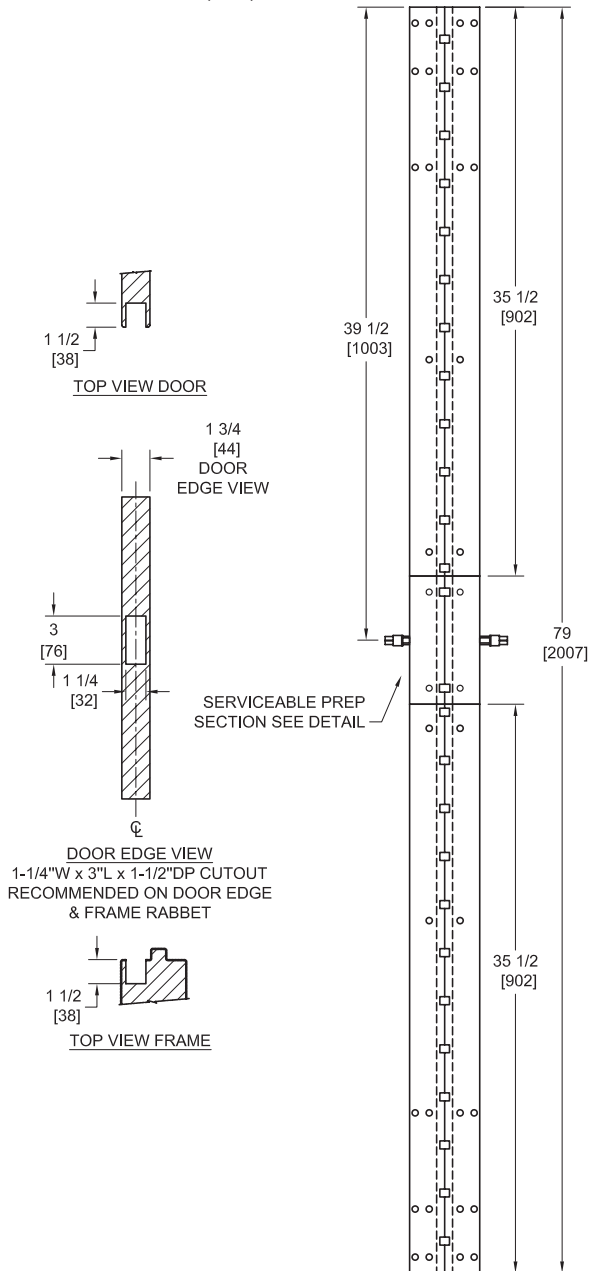
DO NOT SCALE

DOOR HINGE 76Y2 F-3HR
3HR REQUIRES FIRE PINS

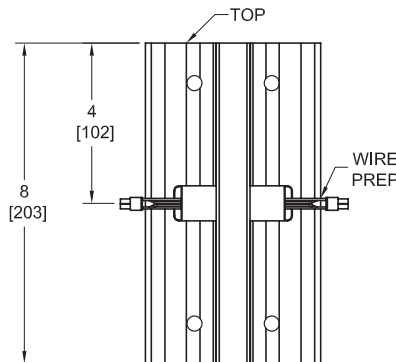
Template 79HD-SER-14

Effective date:
July 20, 2014

Supersedes: All Previous



SERVICEABLE 8" QC PREP. DETAIL



225 Episcopal Road
Berlin CT 060377
P: 800.346.7707 | F: 800.541.1073
www.mckinneyhinge.com | dss-orders@assaabloy.com

McKinney is a brand associated with Corbin Russwin, Inc., an ASSA ABLOY Group company. Copyright © 2017, Corbin Russwin, Inc. All rights reserved. Reproduction in whole or in part without the express written permission of Corbin Russwin, Inc. is prohibited.