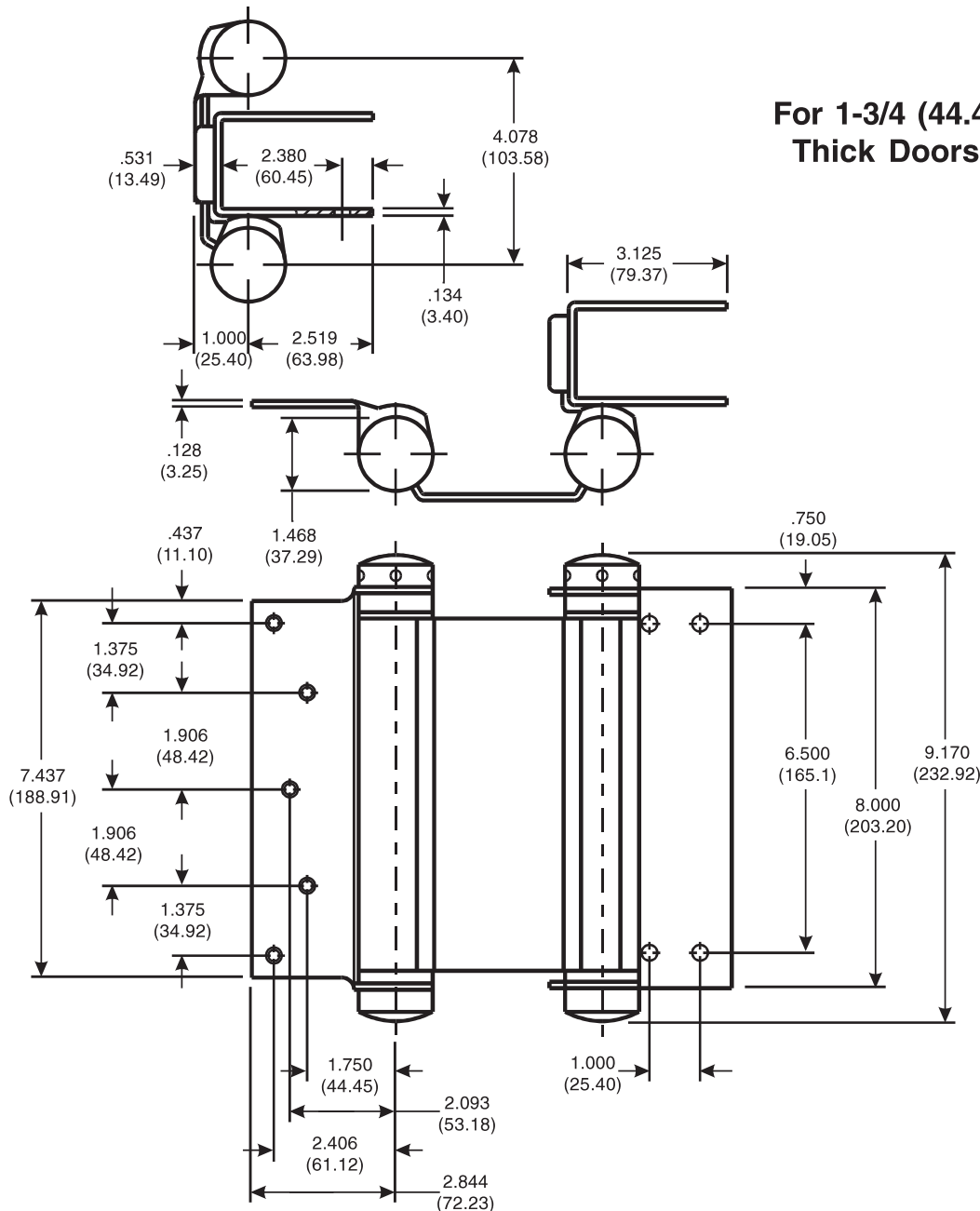


Architectural Door Accessories

McKinney 8" - 19001 Template Full Mortise Double Acting Clamp Flange Spring Hinge

The global leader in
door opening solutions

DO NOT SCALE
DIMENSIONS: INCHES (MM)



Template 505-98

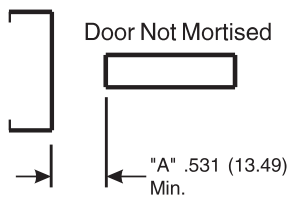
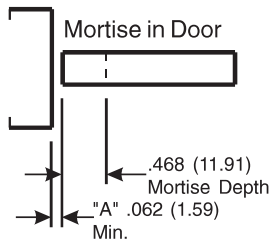
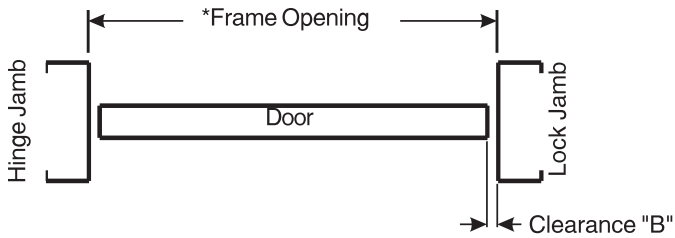
Effective date:
March 30, 1998

Supersedes: All Previous

McKINNEY Template Full Mortise Double Acting Clamp Flange Spring Hinge is made to conform to this drawing.

Machine Screw Size:
Jamb Flange: 1/2 x 12-24 F.H.
Clamp Flange: 2 1/2 x 5/16-18
Hex Head Bolt with Hex Nut

DO NOT SCALE
DIMENSIONS: INCHES (MM)



Door Sizes, Weights & Clearance "B"				
Door Width	Door Weights (Lbs.)		Clearance "B" Min.	
	Max.		Square Edge Door	Round Edge Door
	1 Pr. Hinges	1-1/2 Pr. Hinges		
2'-0	185	286	.312	.125
2'-6	148	228	.312	.125
2'-8	138	215	.250	.125
3'-0	124	191	.250	.125
3'-4	111	172	.250	.125
3'-6	103	163	.250	.125
4'-0	83	143	.250	.125

Weights Shown Above Are For Doors 7'-0 Min. Height

Template 505-98

Effective date:
March 30, 1998

Supersedes: All Previous

Single Doors =
Clearance "A" + Clearance "B" + Door Width

Double Doors =
2 x the frame opening of single doors