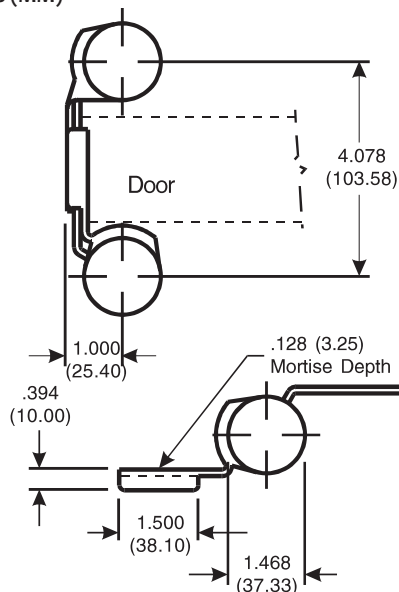


Architectural Door Accessories

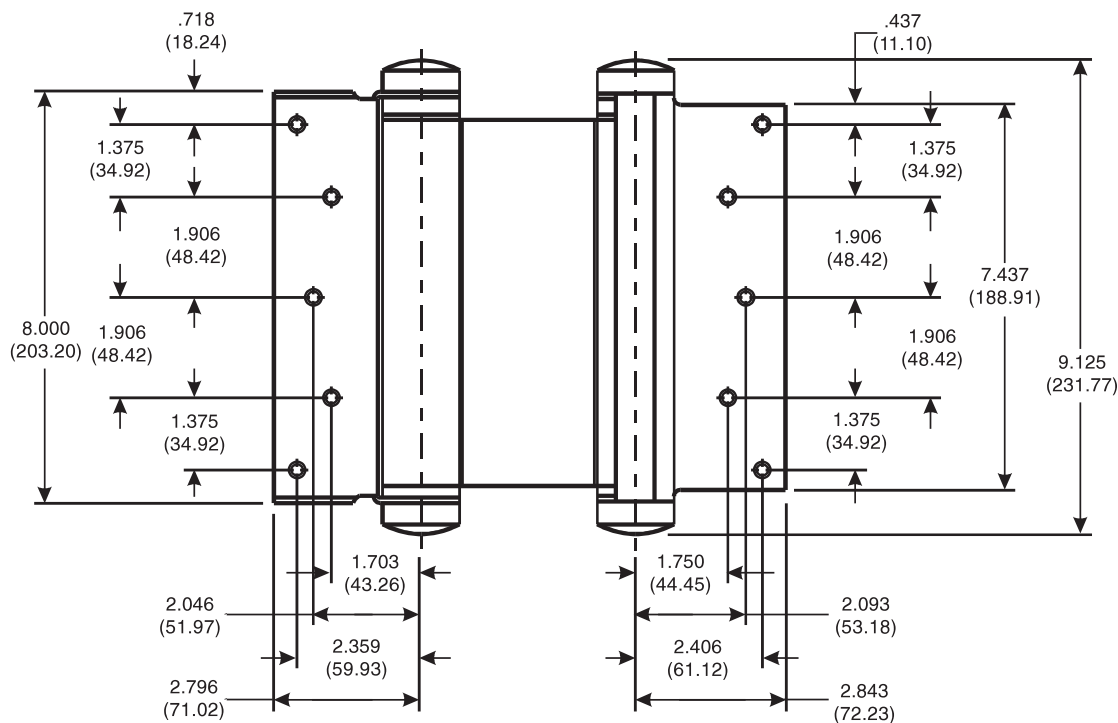
McKinney 8" - 9001 Template Full Mortise Double Acting Spring Hinge

The global leader in
door opening solutions

DO NOT SCALE
DIMENSIONS: INCHES (MM)



**For 1-1/2 (38.1) to
2" (50.8) Thick
Doors**



Template 450-98

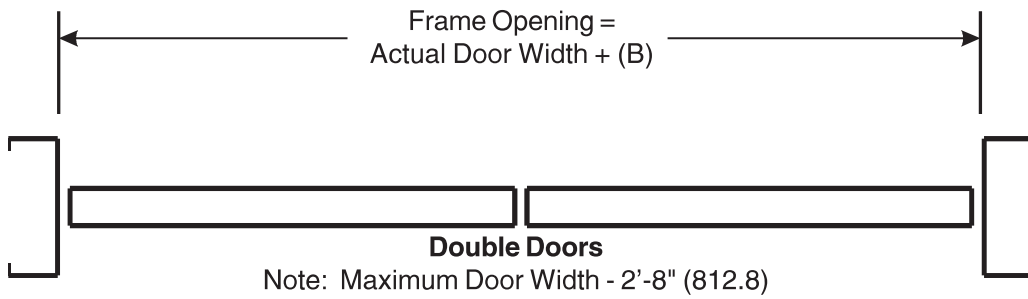
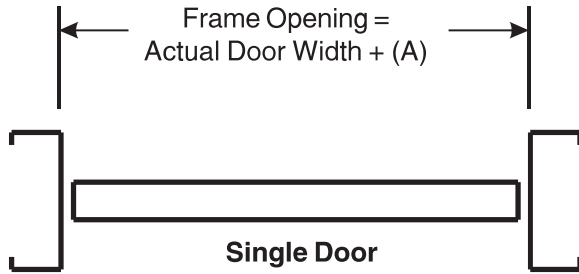
Effective date:
March 30, 1998

Supersedes: All Previous

McKINNEY Template Full
Mortise Double Acting
Spring Hinge is made to
conform to this drawing.

Wood Screw Size:
1 1/4 x 12 F.H.

DO NOT SCALE
DIMENSIONS: INCHES (MM)



Frame Clearances		
Hinge Mounting	Clearance (A)	Clearance (B)
Surface Applied	.644 (16.36)	1.288 (32.72)
Door Flange Mortised	.516 (13.11)	1.032 (26.21)

Template 450-98

Effective date:
March 30, 1998

Supersedes: All Previous

Notes:

1. This hinge is not to be used on doors with hinge edge beveled.
2. Refer to catalog for door weight and hinge size.
3. Hinges should be inverted on one door of a pair for proper centering.