

# Architectural Door Accessories

**ASSA ABLOY**

## McKinney 83HD - Accessible Prep Standard Location Template

The global leader in  
door opening solutions

Includes All Profiles (MCK-12HD shown)

**DO NOT SCALE**  
ALL DIMENSIONS FOR METAL FRAMES WITH METAL OR WOOD DOORS  
DIMENSIONS: INCHES (MM)



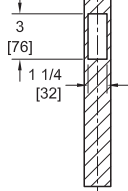
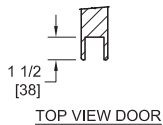
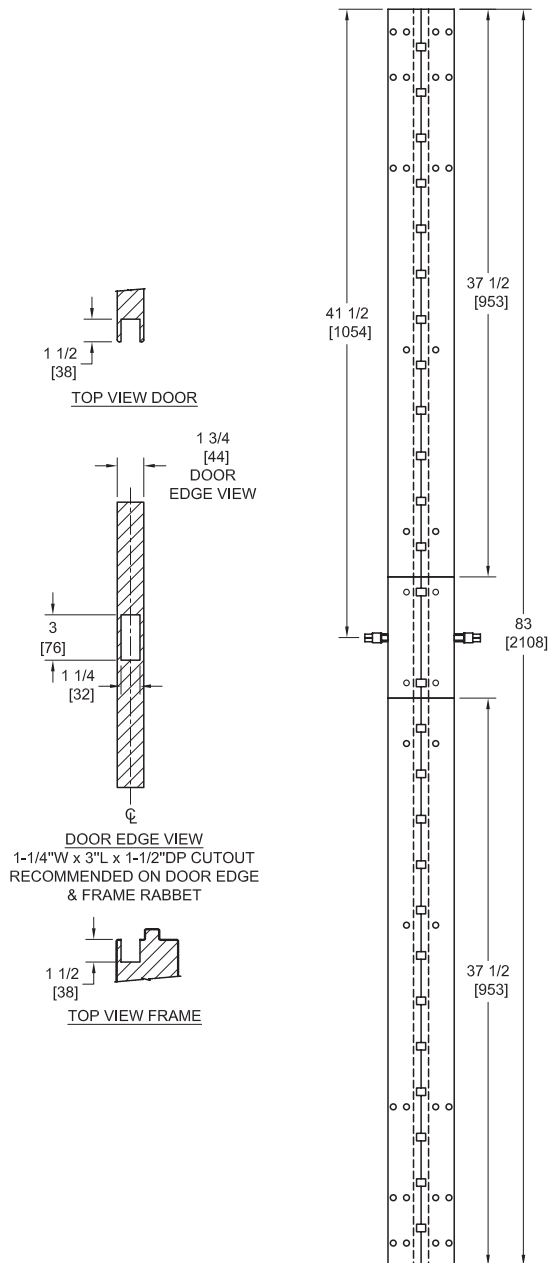
**DO NOT SCALE**

DOOR HINGE 76Y2 F-3HR  
3HR REQUIRES FIRE PINS

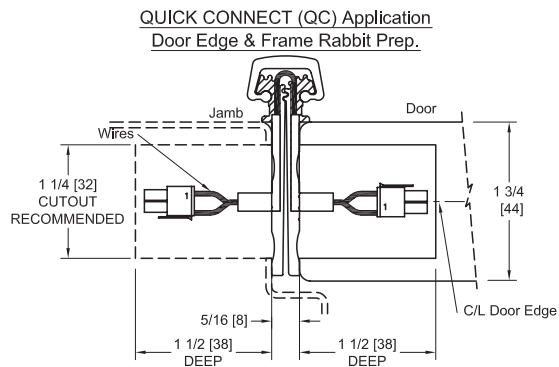
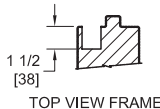
**Template**  
**83HD-ACC-14**

**Effective date:**  
July 20, 2014

**Supersedes:** All Previous



DOOR EDGE VIEW  
1-1/4"W x 3"L x 1-1/2"DP CUTOUT  
RECOMMENDED ON DOOR EDGE  
& FRAME RABBET



225 Episcopal Road  
Berlin CT 060377  
P: 800.346.7707 | F: 800.541.1073  
www.mckinneyhinge.com | dss-orders@assaabloy.com

McKinney is a brand associated with Corbin Russwin, Inc., an ASSA ABLOY Group company. Copyright © 2017, Corbin Russwin, Inc. All rights reserved. Reproduction in whole or in part without the express written permission of Corbin Russwin, Inc. is prohibited.

83HD-ACC-14 - 2/17