

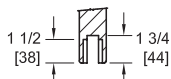
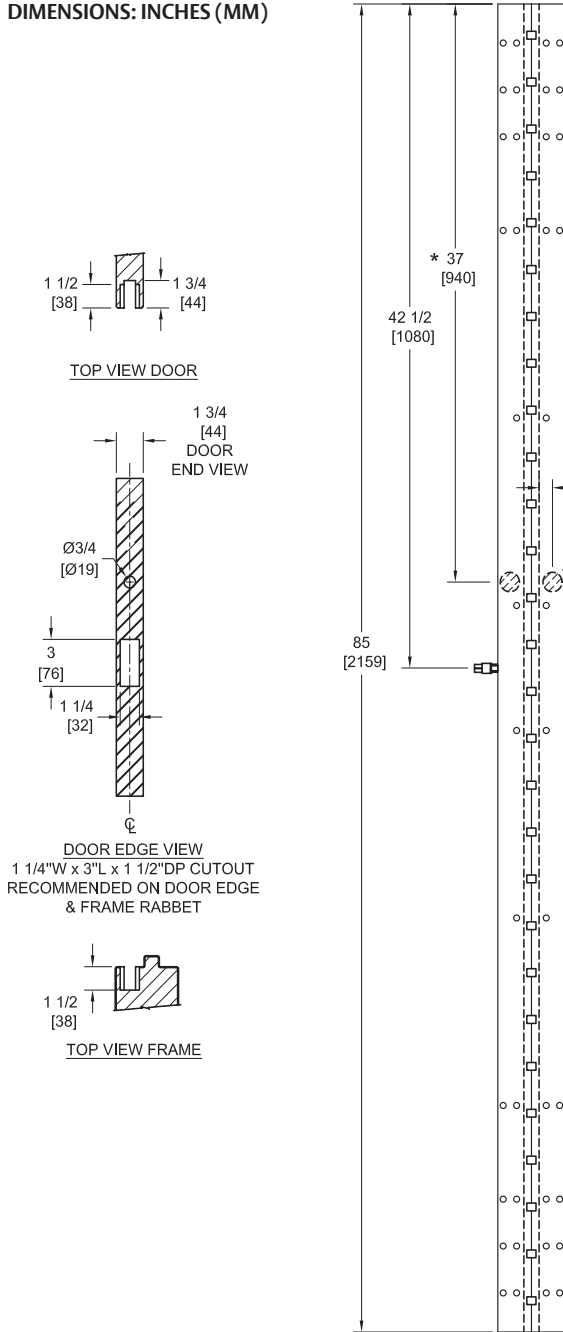
Architectural Door Accessories

McKinney 85HD QC or MM Standard Location Template

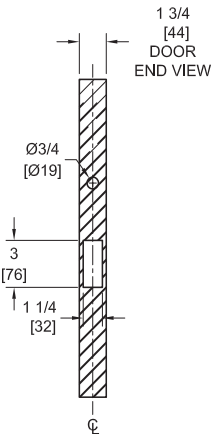
The global leader in
door opening solutions

Includes All Profiles Except Kawneer (MCK-12HD shown)

DO NOT SCALE
DIMENSIONS: INCHES (MM)

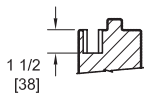


TOP VIEW DOOR



DOOR EDGE VIEW

1 1/4"W x 3"L x 1 1/2"DP CUTOUT
RECOMMENDED ON DOOR EDGE
& FRAME RABBET



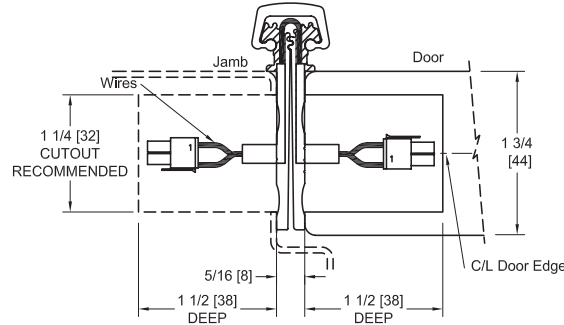
TOP VIEW FRAME



DO NOT SCALE

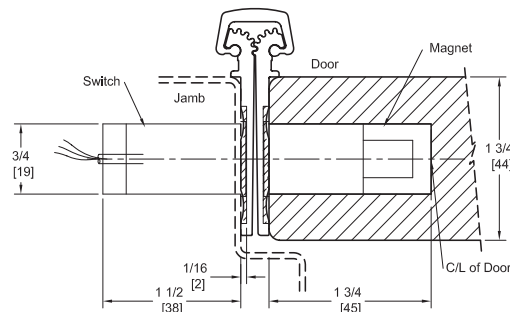
DOOR HINGE 76Y2 F-3HR
3HR REQUIRES FIRE PINS

QUICK CONNECT (QC) Application Door Edge & Frame Rabbit Prep.



- 7/8 [22]
- LOCATION OF CONCEALED MONITOR
IF FIRE RATED-PER NFPA 80
MAX. 3/4" DIA. HOLE ALLOWED.
1 HOLE REQ'D IN BOTH DOOR AND
FRAME FOR EACH MONITOR
- 1 1/4"Ø x 1/16" DP. RECESS IN EACH HINGE LEAF
- LOCATION OF QC PREP.
1 HOLE REQ'D IN BOTH DOOR AND
FRAME FOR EACH WIRE SET.

Magnetic Monitor (MM) Application Door Edge & Frame Rabbit Prep.



* Vertical location from top of hinge = 37" [940]
Reference only Consult Manufacturer for Specified Locations.

Template 85HD-QC or MM-14

Effective date:
July 20, 2014

Supersedes: All Previous

225 Episcopal Road
Berlin CT 060377
P: 800.346.7707 | F: 800.541.1073
www.mckinneyhinge.com | dss-orders@assaabloy.com

McKinney is a brand associated with Corbin Russwin, Inc., an ASSA ABLOY Group company. Copyright © 2017, Corbin Russwin, Inc. All rights reserved. Reproduction in whole or in part without the express written permission of Corbin Russwin, Inc. is prohibited.