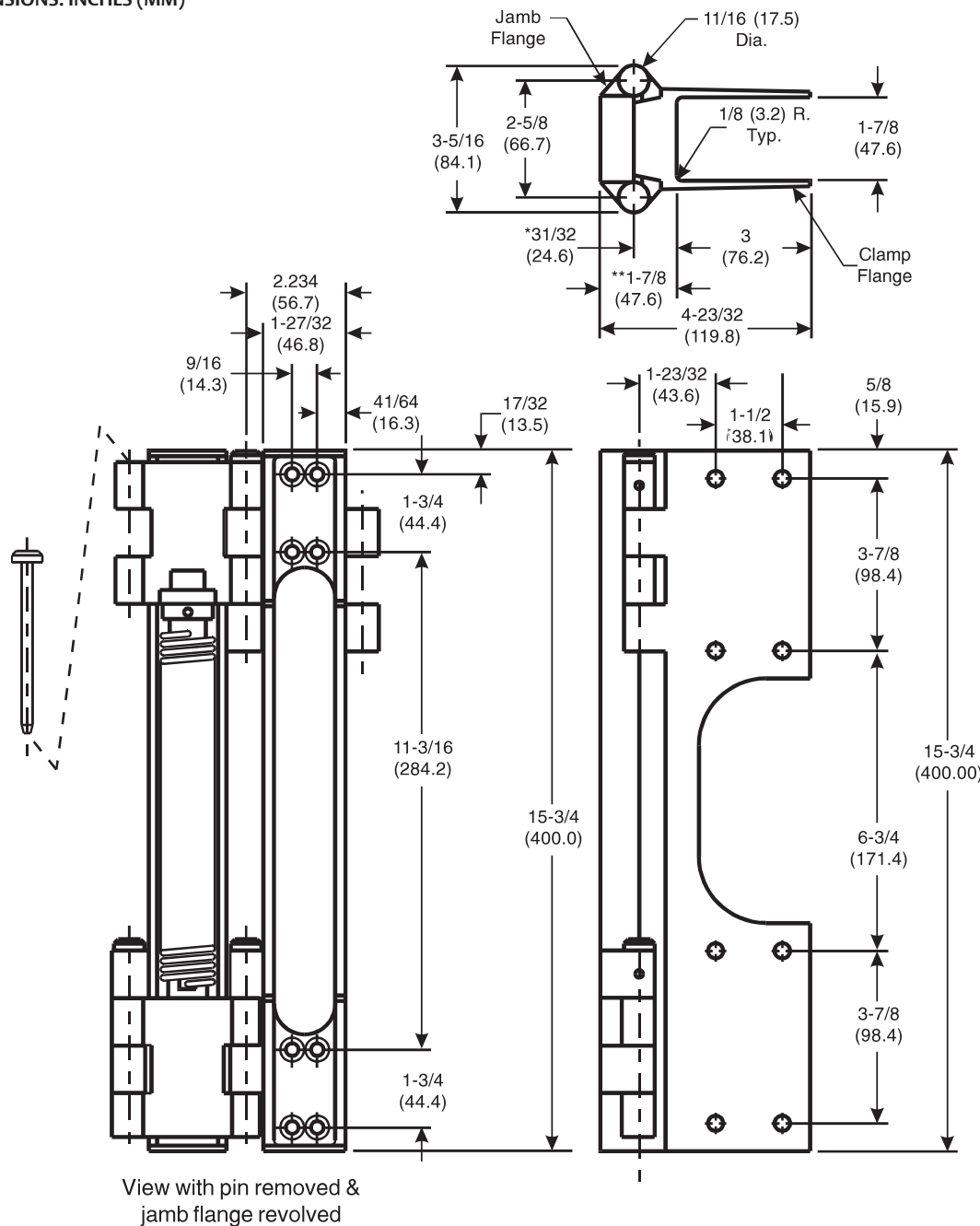


Architectural Door Accessories

McKinney CS1-A Template Double Acting Clamp Flange Spring Hinge

The global leader in
door opening solutions

DO NOT SCALE
DIMENSIONS: INCHES (MM)



Template 325-98

Effective date:
March 30, 1998

Supersedes: All Previous

McKINNEY Template Clamp Flange Spring Hinge is made to conform to this drawing.

Machine Screw Size:
Jamb Flange: 1 x 1/4-20 F.H. with External Tooth Lock Washer
Clamp Flange: 2 1/2 x 5/16-18 Hex Head Bolt with Hex Nut

*Mortise depth when using the recommended ²⁹/₃₂ filler strip.

**Mortise depth for installation without a filler strip.

225 Episcopal Road
Berlin CT 060377
P: 800.346.7707 | F: 800.541.1073
www.mckinneyhinge.com | dss-orders@assaabloy.com

McKinney is a brand associated with Corbin Russwin, Inc., an ASSA ABLOY Group company. Copyright © 2017, Corbin Russwin, Inc. All rights reserved. Reproduction in whole or in part without the express written permission of Corbin Russwin, Inc. is prohibited.