

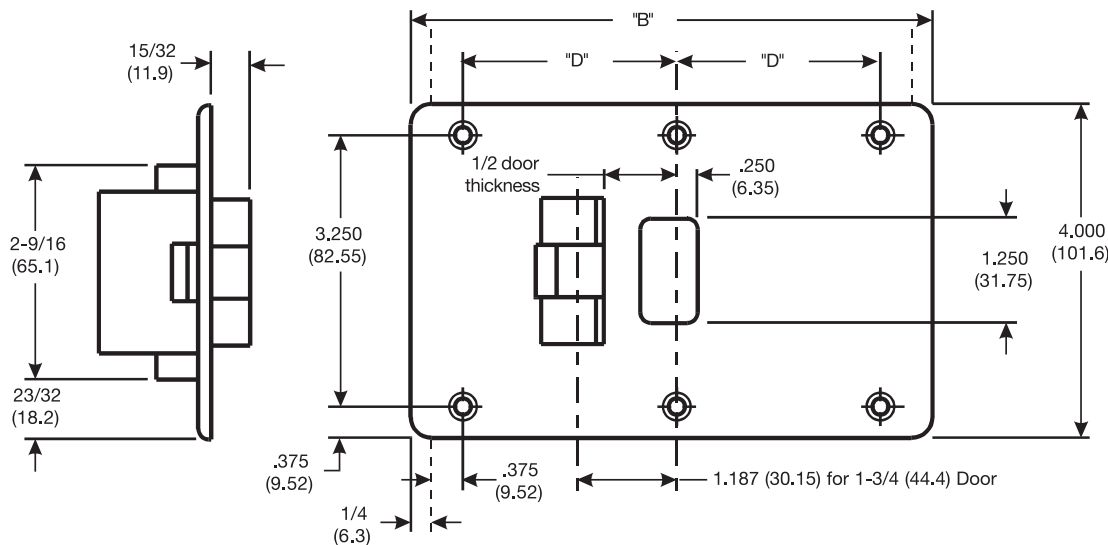
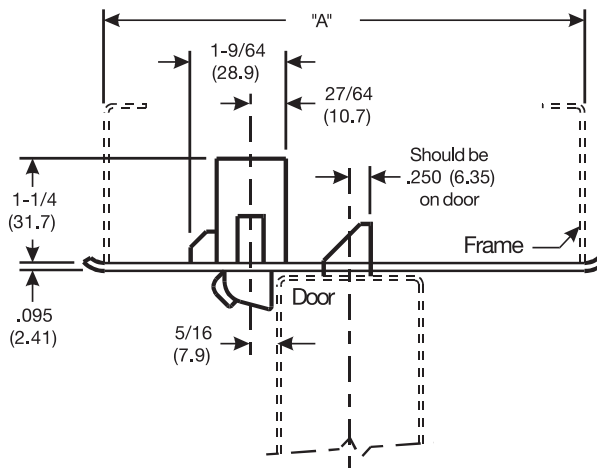
Architectural Door Accessories

McKinney CSS-9* Template Combination Strike & Stop - For Center Hung Doors

The global leader in
door opening solutions

DO NOT SCALE
DIMENSIONS: INCHES (MM)

"A" FRAME SIZE	"B" (REF.)	"D"
4-3/4 (120.6)	5-5/16 (134.9)	2.000 (50.80)
5-5/8 (142.9)	6-3/16 (157.2)	2.437 (61.91)
5-3/4 (146.0)	6-5/16 (160.3)	2.500 (63.50)
5-7/8 (149.2)	6-7/16 (163.5)	2.562 (65.09)
6-1/4 (158.7)	6-13/16 (173.0)	2.750 (69.85)
6-3/4 (171.4)	7-5/16 (185.7)	3.000 (76.20)
7-1/8 (180.9)	7-11/16 (195.3)	3.187 (80.96)
7-3/4 (196.8)	8-5/16 (211.1)	3.500 (88.90)
8-1/4 (209.5)	8-13/16 (223.8)	3.750 (95.25)
8-3/4 (222.2)	9-5/16 (236.5)	4.000 (101.60)



Template 221B-15

Effective date:
September 2, 2015

Supersedes: All Previous

McKINNEY Template
Combination Strike and
Stop for center hung doors
are made to conform to
this drawing.

Machine Screw Size:
1/2 x 8-32 F.H.

Wood Screw Size:
3/4 x 8 F.H.

*McKINNEY CSS-9 is
designed for use with
cylindrical bored lock
sets and may not work
properly with some
mortise locks. Consult
factory for mortise lock
applications.

225 Episcopal Road
Berlin CT 060377
P: 800.346.7707 | F: 800.541.1073
www.mckinneyhinge.com | dss-orders@assaabloy.com

McKinney is a brand associated with Corbin Russwin, Inc., an ASSA ABLOY Group company. Copyright © 2017, Corbin Russwin, Inc. All rights reserved. Reproduction in whole or in part without the express written permission of Corbin Russwin, Inc. is prohibited.