

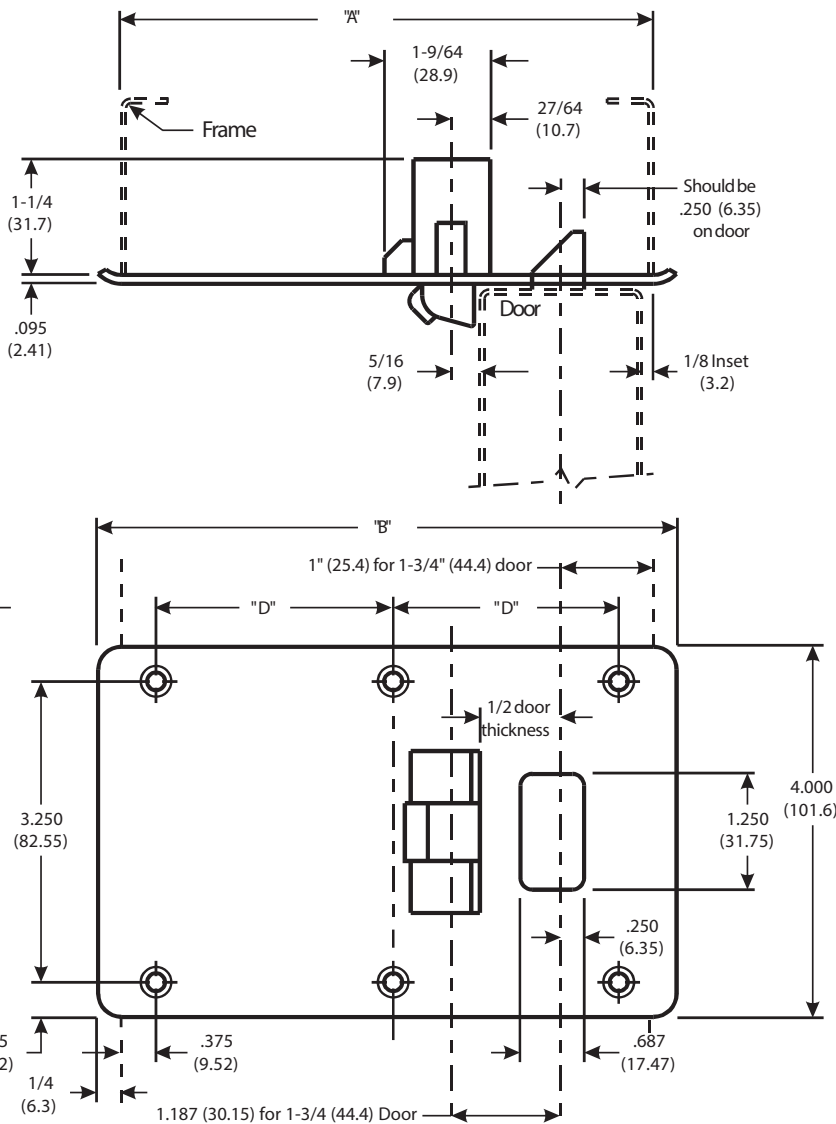
# Architectural Door Accessories

## McKinney CSS-9\* Template Combination Strike & Stop - For Edge Hung Doors

The global leader in  
door opening solutions

DO NOT SCALE  
DIMENSIONS: INCHES (MM)

"A" FRAME SIZE	"B" (REF .)	"D"
4-3/4 (120.6)	5-5/16 (134.9)	2.000 (50.80)
5-5/8 (142.9)	6-3/16 (157.2)	2.437 (61.91)
5-3/4 (146.0)	6-5/16 (160.3)	2.500 (63.50)
5-7/8 (149.2)	6-7/16 (163.5)	2.562 (65.09)
6-1/4 (158.7)	6-13/16 (173.0)	2.750 (69.85)
6-3/4 (171.4)	7-5/16 (185.7)	3.000 (76.20)
7-1/8 (180.9)	7-11/16 (195.3)	3.187 (80.96)
7-3/4 (196.8)	8-5/16 (211.1)	3.500 (88.90)
8-1/4 (209.5)	8-13/16 (223.8)	3.750 (95.25)
8-3/4 (222.2)	9-5/16 (236.5)	4.000 (101.60)



### Template 221A-15

**Effective date:**  
September 2, 2015

**Supersedes:** All Previous

McKINNEY Template Combination Strike and Stop for edge hung doors are made to conform to this drawing.

**Machine Screw Size:**  
1/2 x 8-32 F.H.

**Wood Screw Size:**  
3/4 x 8 F.H.

\*McKINNEY CSS-9 is designed for use with cylindrical bored lock sets and may not work properly with some mortise locks. Consult factory for mortise lock applications.

225 Episcopal Road  
Berlin CT 060377  
P: 800.346.7707 | F: 800.541.1073  
www.mckinneyhinge.com | dss-orders@assaabloy.com

McKinney is a brand associated with Corbin Russwin, Inc., an ASSA ABLOY Group company. Copyright © 2017, Corbin Russwin, Inc. All rights reserved. Reproduction in whole or in part without the express written permission of Corbin Russwin, Inc. is prohibited.