

Experience a safer  
and more open world

## McKinney Concealed Circuit Electric Hinges

### Delivering the Power to Door Hardware

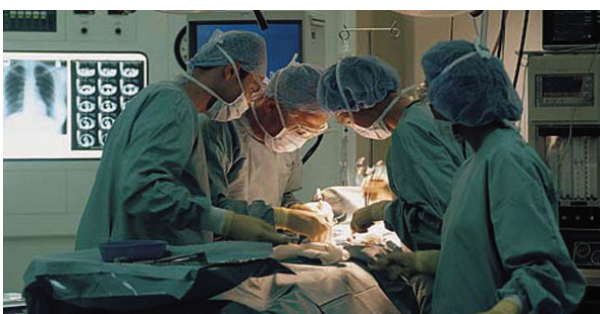
McKinney Concealed Circuit (CC) electric hinges allow a constant flow of energy from the power source through the hinge to electrified door hardware. No external wires can be seen, eliminating disruption of power due to tampering or disconnection, and improving the aesthetics of the opening.

The Concealed Circuit Electric Hinge option is available on most McKinney standard or heavy weight hinges in stainless steel, steel or brass. Standard and custom finishes are available. In addition, custom hinges can be manufactured to meet the needs of the situation.

### Applications:

- K -12 Education
- Universities
- Hospitality
- Healthcare
- Military

Features	Benefits
Capacity for regular and heavy duty electric applications	Allows operation of devices requiring power such as electric locks, electric strikes and electric latch retraction exit devices
Available as standard with 28 gauge wires or as heavy-duty with two 18 gauge wires plus additional 28 gauge wires	Options meet the requirements of most door devices and hardware
Hinge passes a constant flow of power	Door hardware and devices are actuated by power received thru the hinge
Available on standard and heavy weight hinges	Meets the needs of most applications
Brass eyelets on portal holes	Protects electric wires from chafing
Available in all standard finishes plus custom finishes	Coordinate with other door hardware and enhance the aesthetics
4' lead option	For applications where longer wire is needed
UL Listed, ANSI/BHMA A156.1 Standard	Meets industry standards



The McKinney Electric Hinge is an intermediate connector that passes a constant flow of current between the source of power (jamb) and the devices in the door (electric locks, exit devices, etc.). Brass eyelets add protection and durability to the hinge.

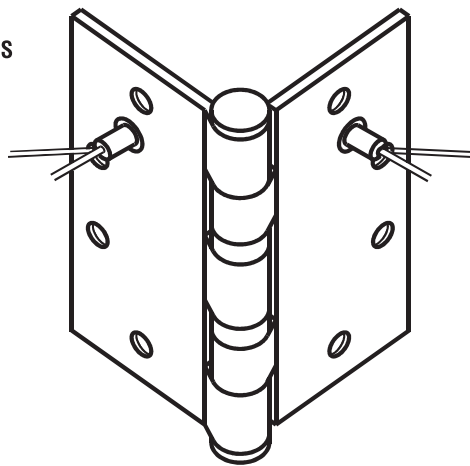
All popular McKinney hinges are available as electrified using standard 28 gauge or 18 gauge heavy-duty wire. To order, use the standard part number and the electrified option suffix required. 4' lead is available for those applications that require extra long wire. Other hinges can be electrified upon request. Please call 1-800-810-WIRE (9473) if you need assistance regarding hinge requirements.

#### Ordering Information:

To Order Specify Size, Model, Finish, and Option Suffix. For

Example:

Size	Model #	Finish	Option Suffix
4-1/2" x 4-1/2"	TA2714	26D	CC4



### Technical Specifications:

The ANSI/BHMA A156.1 Standard requires the hinge wire meet a minimum of 350,000 cycles. These hinges have been cycle tested and passed 3,700,000 cycles, over ten times the ANSI standard requirement. McKinney electric hinges are UL listed.

All McKinney electric hinges are factory tested and specially packaged to minimize against damage during shipment. Installation instructions are packed with each hinge.

Option Suffix	Total Wires	Configuration
Standard		
CC2	2	2- 28 gauge wires
CC4	4	4- 28 gauge wires
CC6	6	6- 28 gauge wires
CC8	8	8- 28 gauge wires
Heavy-Duty		
CC2-18	2	2- 18 gauge wires
CC4-18	4	2- 18 gauge, 2- 28 gauge
CC6-18	6	2- 18 gauge, 4- 28 gauge
CC8-18	8	2- 18 gauge, 6- 28 gauge
CC10-18	10	2- 18 gauge, 8- 28 gauge

#### ARCHITECTURAL DOOR ACCESSORIES™

Markar | McKinney | Pemko | Rockwood

ASSA ABLOY Opening Solutions  
Architectural Door Accessories  
225 Episcopal Road, Berlin, CT 06037  
Phone: (800) 346-7707 • Fax: (800) 541-1073 • [www.assaabloydooraccessories.us](http://www.assaabloydooraccessories.us)

Copyright © 2011-2019, ASSA ABLOY Accessories and Door Controls Group, Inc. All rights reserved. Reproduction in whole or in part without the express written permission of ASSA ABLOY Accessories and Door Controls Group, Inc. is prohibited.