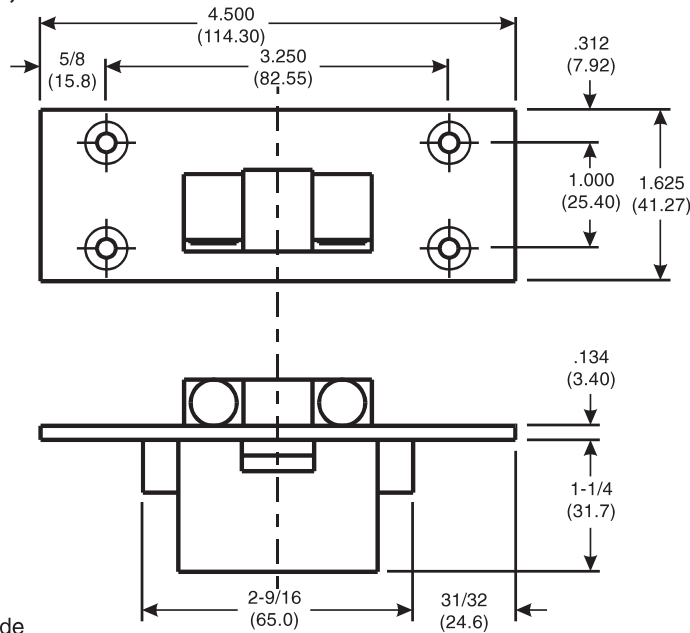


Architectural Door Accessories

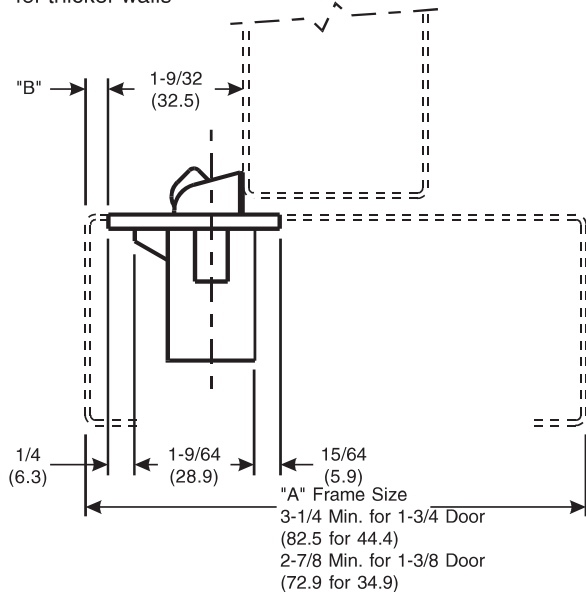
McKinney DS-6, 1⁵/₈ x 4¹/₂ Template Emergency Door Stop, Center Hung Application

The global leader in
door opening solutions

DO NOT SCALE
DIMENSIONS: INCHES (MM)



Extend frame either side
for thicker walls



"A" FRAME SIZE	"B"	
	DOOR THICKNESS	
	1-3/8 (34.9)	1-3/4 (44.4)
4-3/4 (120.6)	13/32 (10.3)	7/32 (7.1)
5-5/8 (142.9)	27/32 (21.4)	21/32 (16.7)
5-3/4 (146.0)	29/32 (23.0)	23/32 (18.2)
5-7/8 (149.2)	31/32 (24.6)	25/32 (19.8)
6-1/4 (158.7)	1-5/32 (29.4)	31/32 (24.6)
6-3/4 (171.4)	1-13/32 (35.7)	1-7/32 (30.9)
7-1/8 (180.9)	1-19/32 (40.5)	1-13/32 (35.7)
7-3/4 (196.8)	1-29/32 (48.4)	1-23/32 (43.6)
8-1/4 (209.5)	2-5/32 (54.8)	1-31/32 (50.0)
8-3/4 (222.2)	2-13/32 (61.1)	2-7/32 (30.9)

Template 230B-98

Effective date:
March 30, 1998

Supersedes: All Previous

McKINNEY Template
Emergency Door Stop is
made to conform to this
drawing.

Machine Screw Size:
1/2 x 12-24 F.H.