

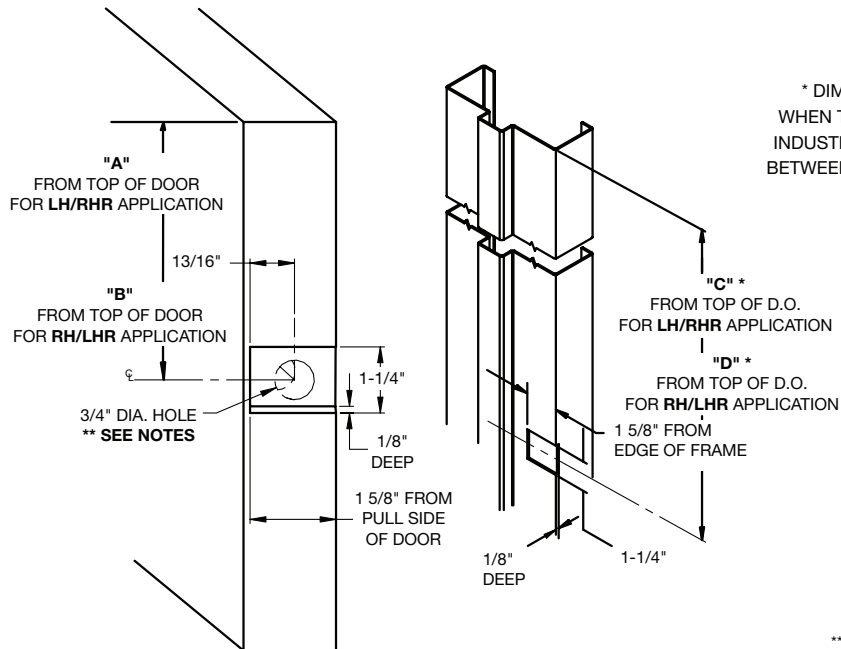
Architectural Door Accessories

McKinney EL Prep Locations, Steel & Stainless Steel Hinges

The global leader in
door opening solutions

Frame & Door Prep Left Hand Application shown

DO NOT SCALE
DIMENSIONS: INCHES



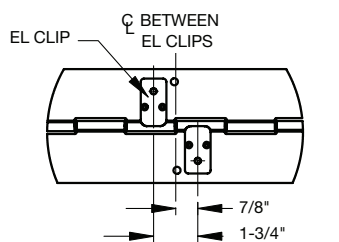
* DIMENSIONS SHOWN STAND TRUE
WHEN TAKING INTO CONSIDERATION THE
INDUSTRY STANDARD OF 1/8" CLEARANCE
BETWEEN TOP OF DOOR OPENING AND TOP
OF DOOR.

Template
M80-0180-
0002TM-14

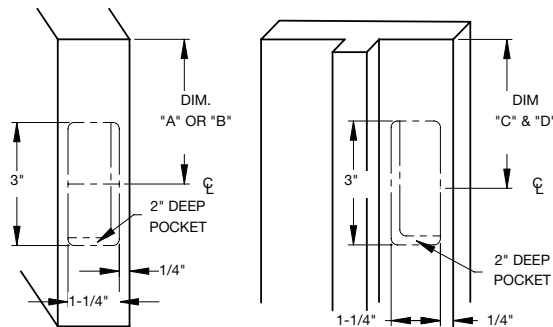
Effective date:
July 20, 2014

Supersedes: All Previous

**NOTES
FOR WOOD DOORS & FRAME, ADDITIONAL
POCKET IS NEEDED. SEE BELOW



VISUAL REPRESENTATION
SHOWING DOOR AND FRAME
PREP LOCATION DIFFER. FOR
ILLUSTRATION PURPOSE ONLY.



**Template
M80-0180-
0002TM-14**

Effective date:
July 20, 2014

Supersedes: All Previous

DIMENSION SHOWN BELOW IS NEEDED AT THE TIME OF ORDERING		LH / RHR APPLICATION		RH / LHR APPLICATION	
		HINGE LENGTHS UP TO 83 1/8"		HINGE LENGTHS UP TO 83 1/8"	
LOCATION	TOP TO CENTER BETWEEN EL CLIPS	TOP TO CENTER DOOR PREP "A"	TOP TO CENTER FRAME PREP "C"	TOP TO CENTER DOOR PREP "B"	TOP TO CENTER FRAME PREP "D"
ABOVE HINGE CENTER	21 25/32	20 29/32	22 25/32	22 21/32	21 1/32
	25 23/32	24 27/32	26 23/32	26 19/32	24 31/32
	29 11/16	28 13/16	30 11/16	30 9/16	28 15/16
	33 21/32	32 25/32	34 21/32	34 17/32	32 29/32
	37 19/32	36 23/32	38 19/32	38 15/32	36 27/32
STANDARD LOCATION	41 9/16	40 11/16	42 9/16	42 7/16	40 13/16
BELOW HINGE CENTER	45 17/32	44 21/32	46 17/32	46 13/32	44 25/32
	49 15/32	48 19/32	50 15/32	50 11/32	48 23/32

DIMENSION SHOWN BELOW IS NEEDED AT THE TIME OF ORDERING		LH / RHR APPLICATION		RH / LHR APPLICATION	
		HINGE LENGTHS 83 3/16" - 85 1/8"		HINGE LENGTHS 83 3/16" - 85 1/8"	
LOCATION	TOP TO CENTER BETWEEN EL CLIPS	TOP TO CENTER DOOR PREP "A"	TOP TO CENTER FRAME PREP "C"	TOP TO CENTER DOOR PREP "B"	TOP TO CENTER FRAME PREP "D"
ABOVE HINGE CENTER	21 25/32	22 21/32	21 1/32	22 21/32	21 1/32
	27 23/32	26 27/32	28 23/32	26 27/32	28 23/32
	33 21/32	34 17/32	32 29/32	34 17/32	32 29/32
	39 19/32	38 23/32	40 19/32	38 23/32	40 19/32
	45 17/32	46 13/32	44 25/32	46 13/32	44 25/32
STANDARD LOCATION	51 15/32	50 19/32	52 15/32	50 19/32	52 15/32
BELOW HINGE CENTER	57 13/32	58 9/32	56 21/32	58 9/32	56 21/32
	63 11/32	62 15/32	64 11/32	62 15/32	64 11/32

DIMENSION SHOWN BELOW IS NEEDED AT THE TIME OF ORDERING		LH / RHR APPLICATION		RH / LHR APPLICATION	
		HINGE LENGTHS 85 3/16" - 95"		HINGE LENGTHS 85 3/16" - 95"	
LOCATION	TOP TO CENTER BETWEEN EL CLIPS	TOP TO CENTER DOOR PREP "A"	TOP TO CENTER FRAME PREP "C"	TOP TO CENTER DOOR PREP "B"	TOP TO CENTER FRAME PREP "D"
ABOVE HINGE CENTER	27 23/32	28 19/32	26 31/32	26 27/32	28 23/32
	31 21/32	32 17/32	30 29/32	30 25/32	32 21/32
	35 5/8	36 1/2	34 7/8	34 3/4	36 5/8
	39 19/32	40 15/32	38 27/32	38 23/32	40 19/32
	43 17/32	44 13/32	42 25/32	42 21/32	44 17/32
STANDARD LOCATION	47 1/2	48 3/8	46 3/4	46 5/8	48 1/2
BELOW HINGE CENTER	51 15/32	52 11/32	50 23/32	50 19/32	52 15/32
	55 13/32	56 9/32	54 21/32	54 17/32	56 13/32
	59 3/8	60 1/4	58 5/8	58 1/2	60 3/8
	63 11/32	64 7/32	62 19/32	62 15/32	64 11/32

DIMENSION SHOWN BELOW IS NEEDED AT THE TIME OF ORDERING		LH / RHR APPLICATION		RH / LHR APPLICATION	
		HINGE LENGTHS 95 1/16" - 118 3/4"		HINGE LENGTHS 95 1/16" - 118 3/4"	
LOCATION	TOP TO CENTER BETWEEN EL CLIPS	TOP TO CENTER DOOR PREP "A"	TOP TO CENTER FRAME PREP "C"	TOP TO CENTER DOOR PREP "B"	TOP TO CENTER FRAME PREP "D"
ABOVE HINGE CENTER	39 19/32	40 15/32	38 27/32	38 23/32	40 19/32
	43 17/32	44 13/32	42 25/32	42 21/32	44 17/32
	47 1/2	48 3/8	46 3/4	46 5/8	48 1/2
	51 15/32	52 11/32	50 23/32	50 19/32	52 15/32
	55 13/32	56 9/32	54 21/32	54 17/32	56 13/32
STANDARD LOCATION	59 3/8	60 1/4	58 5/8	58 1/2	60 3/8
BELOW HINGE CENTER	63 11/32	64 7/32	62 19/32	62 15/32	64 11/32
	67 9/32	68 5/32	66 17/32	66 13/32	68 9/32
	71 1/4	72 1/8	70 1/2	70 3/8	72 1/4
	75 7/32	76 3/32	74 15/32	74 11/32	76 7/32
	79 5/32	80 1/32	78 13/32	78 9/32	80 5/32