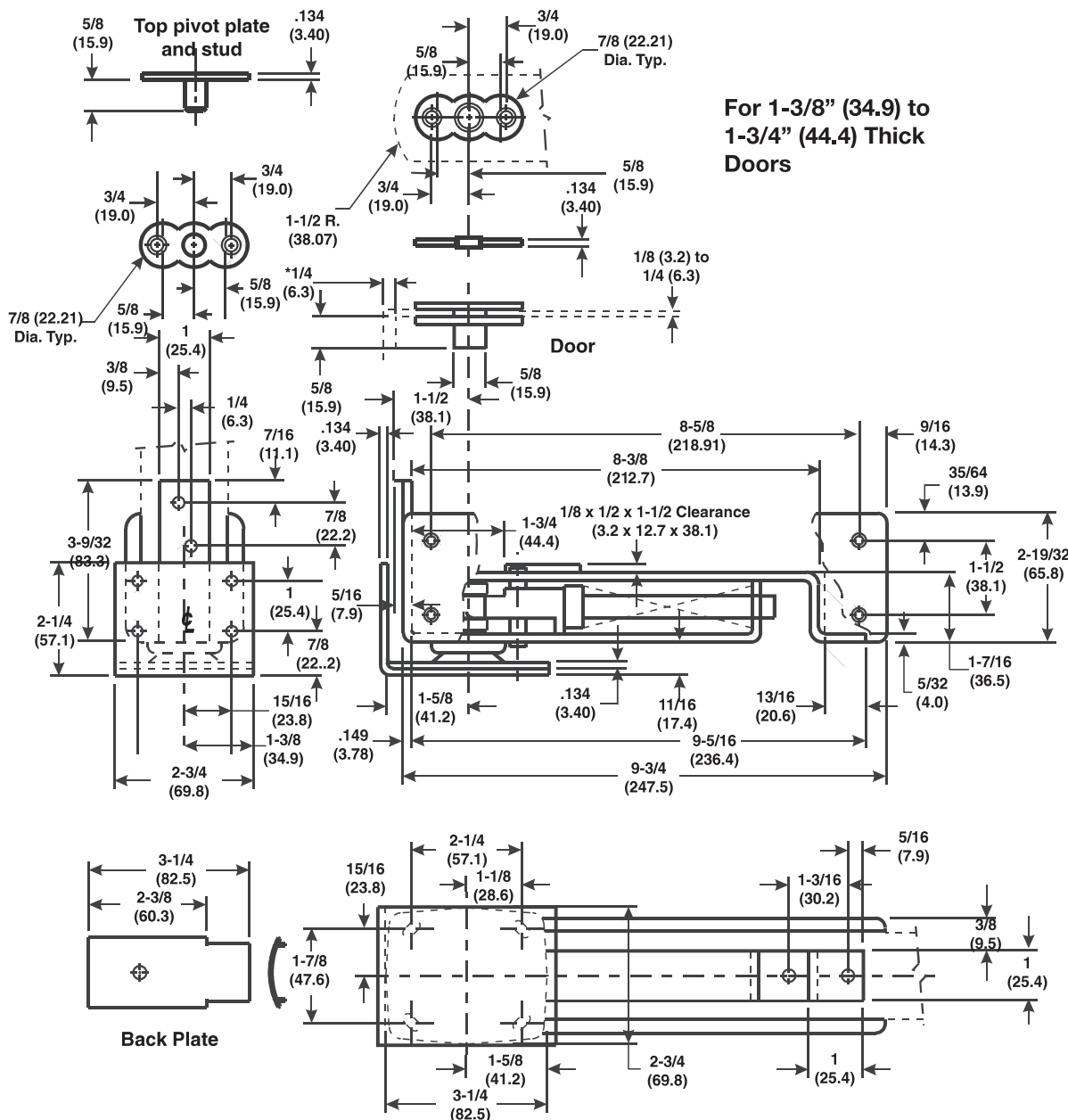


# Architectural Door Accessories

## McKinney J3001 Template Double Acting Horizontal Spring Pivot Hinge - Jamb Mounted

The global leader in  
door opening solutions

DO NOT SCALE  
DIMENSIONS: INCHES (MM)



### Template 385-16

**Effective date:**  
March 31, 2016

**Supersedes:** All Previous

McKINNEY Template  
Double Acting Spring Pivot  
Hinge is made to conform to  
this drawing.

**Machine Screw Size:**  
Back Plate: 1/2 x 10-24 F.H.  
Jamb Plate: 1/4 x 10-24 P.H.

**Wood Screw Size:**  
Frame & Floor Plate:  
1 1/4 x 10 P.H.  
Top Pivot: 1 x 10 F.H.  
Side Plates: 3/4 x 6 F.H.

\* 1/4 (6.3) clearance  
required if Jamb Bracket  
is mortised, 3/8 (9.5) if  
Jamb Bracket is surface  
applied.

225 Episcopal Road  
Berlin CT 060377  
P: 800.346.7707 | F: 800.541.1073  
www.mckinneyhinge.com | dss-orders@assaabloy.com

McKinney is a brand associated with Corbin Russwin, Inc., an ASSA ABLOY Group company. Copyright © 2017, Corbin Russwin, Inc. All rights reserved. Reproduction in whole or in part without the express written permission of Corbin Russwin, Inc. is prohibited.