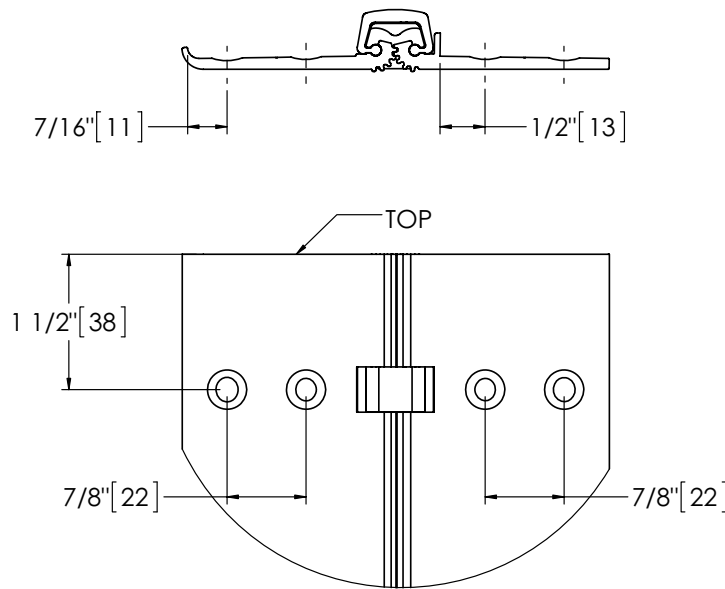
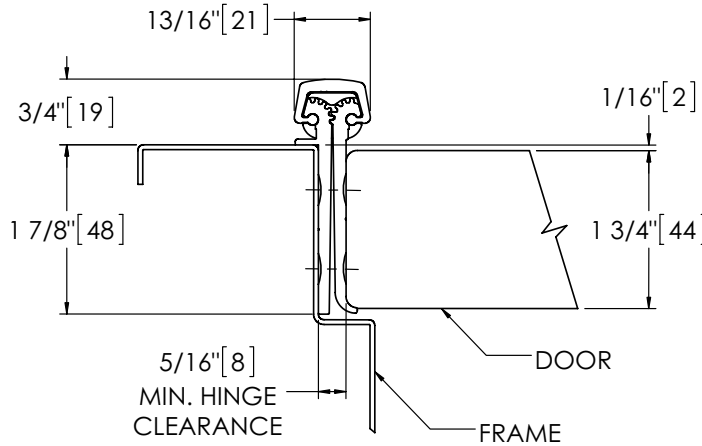
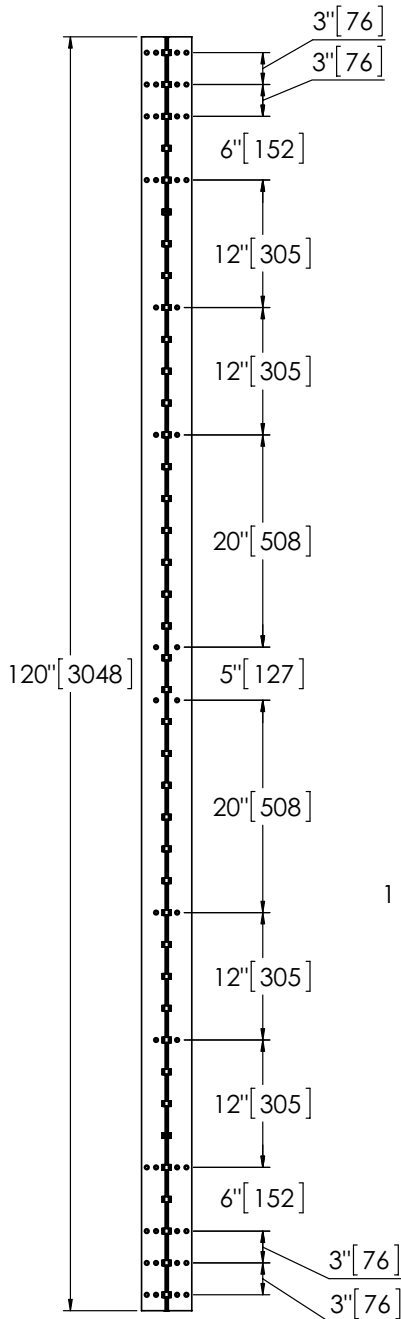


## MCK-25HD 120" Full Mortise HD

The global leader in door opening solutions

DO NOT SCALE  
FOR ILLUSTRATION PURPOSES ONLY  
DIMENSIONS: INCHES (MM)



## Template 619-18

**Effective date:** June 2018

**Supersedes:** All Previous

McKINNEY Template Edge Mounted Continuous Aluminum Geared Hinge MCK-25HD is made to conform to this drawing.

McKINNEY MCK-25 hinge can be supplied with Electric Functions - See Electrified Hinge section.

Machine Screw Size:  
Custom #12-24 x 1 1/16" FHUC, self drilling

Hinges are listed for fire applications up to 90 minutes without special preparation; for 3 hour openings using hollow metal doors and hollow metal frames on masonry/drywall, fire pins (supplied separately) must be used.

**\*\* CAUTION \*\***  
**Due to Frame Installation Variations, Pre-drilling For Fasteners IS NOT Recommended**