

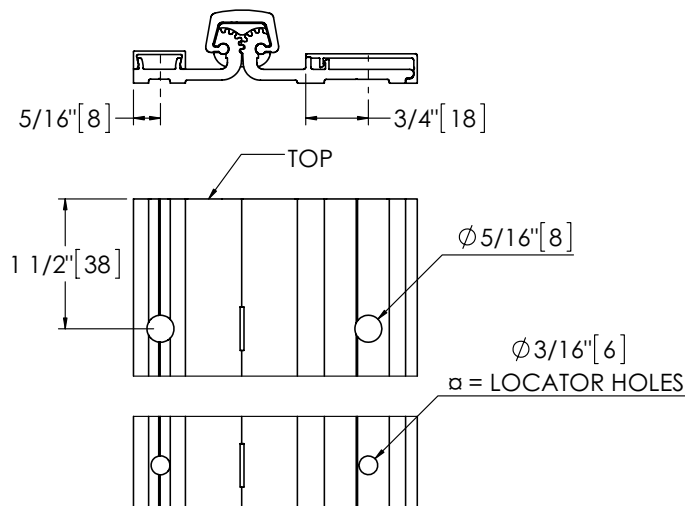
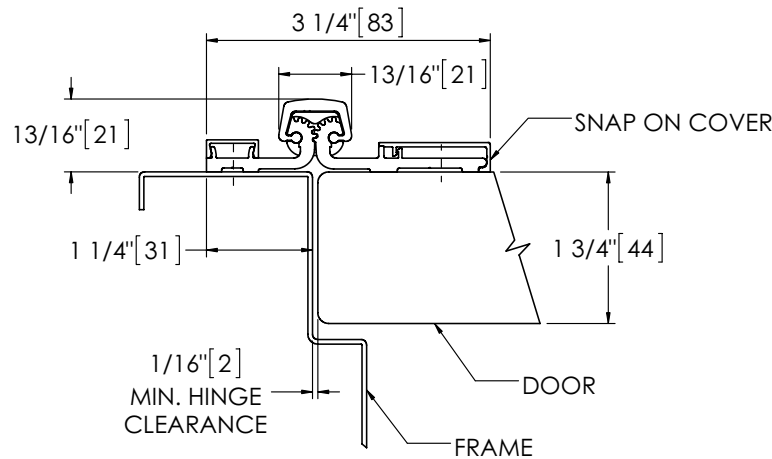
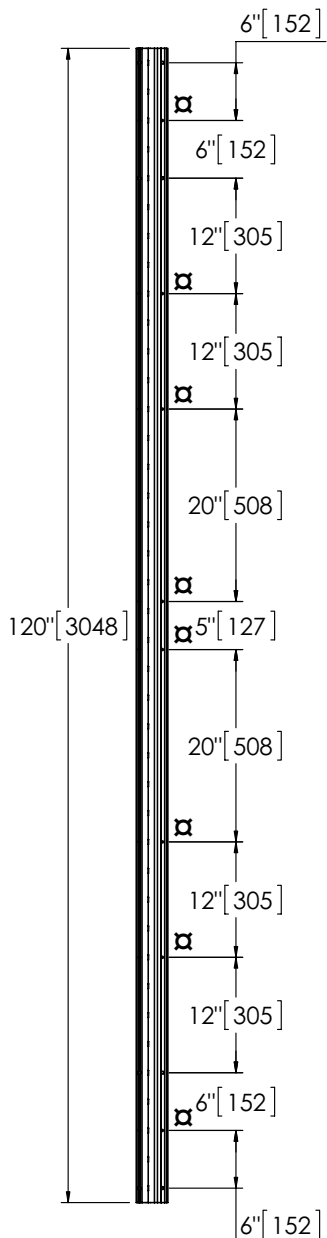
## MCK-58HD 120" Full Surface Center Pivot HD

The global leader in door opening solutions

DO NOT SCALE  
FOR ILLUSTRATION PURPOSES ONLY  
DIMENSIONS: INCHES (MM)



LISTED  
DOOR HINGE  
76Y2



## Template 659-18

**Effective date:** June 2018

**Supersedes:** All Previous

McKINNEY Template Full Surface Continuous Aluminum Geared Hinge MCK-58HD is made to conform to this drawing.

Machine Screw Size:  
Jamb Leaf: 5/8 x 1/4-20  
Self-tapping Security Torx  
Screw  
Jamb Leaf Snap Cover:  
3/4 x 12-24 FHUC, Self  
Drilling Screw w/Special  
Washer  
Door Leaf: 3/4 x 12 Pan Hd,  
Self Drilling Screw;  
1/4-20 Shoulder Screws w/  
Sex Nuts

Hinges are listed for fire applications up to 90 minutes without special preparation; for 3 hour openings using hollow metal doors and hollow metal frames on masonry/drywall, fire pins (supplied separately) must be used.

**\*\* CAUTION \*\***  
**Due to Frame  
Installation  
Variations, Pre-drilling  
For Fasteners IS NOT  
Recommended**