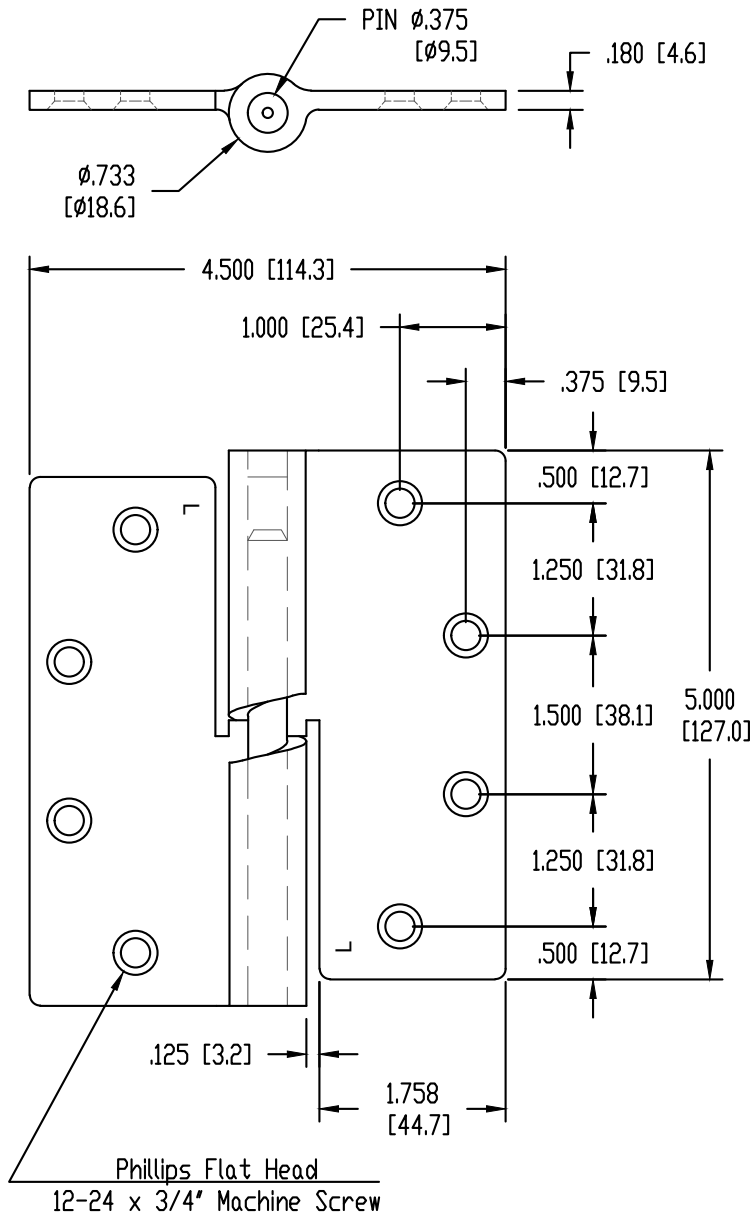


Architectural Door Accessories

MKCL180LH 5" x 4-1/2" Cam Lift Hinge

The global leader in
door opening solutions

DO NOT SCALE
LEFT HAND SHOWN
DIMENSIONS: INCHES (MM)



Template 715-19

Effective date: March 2019

Supersedes: All Previous

McKINNEY MKCL180 Cam Lift Hinge is made to conform to this drawing.

McKINNEY MKCL180 Cam Lift Hinge is handed.

Machine Screw Size:
12-24 x 3/4"

Lift: 1/4"