

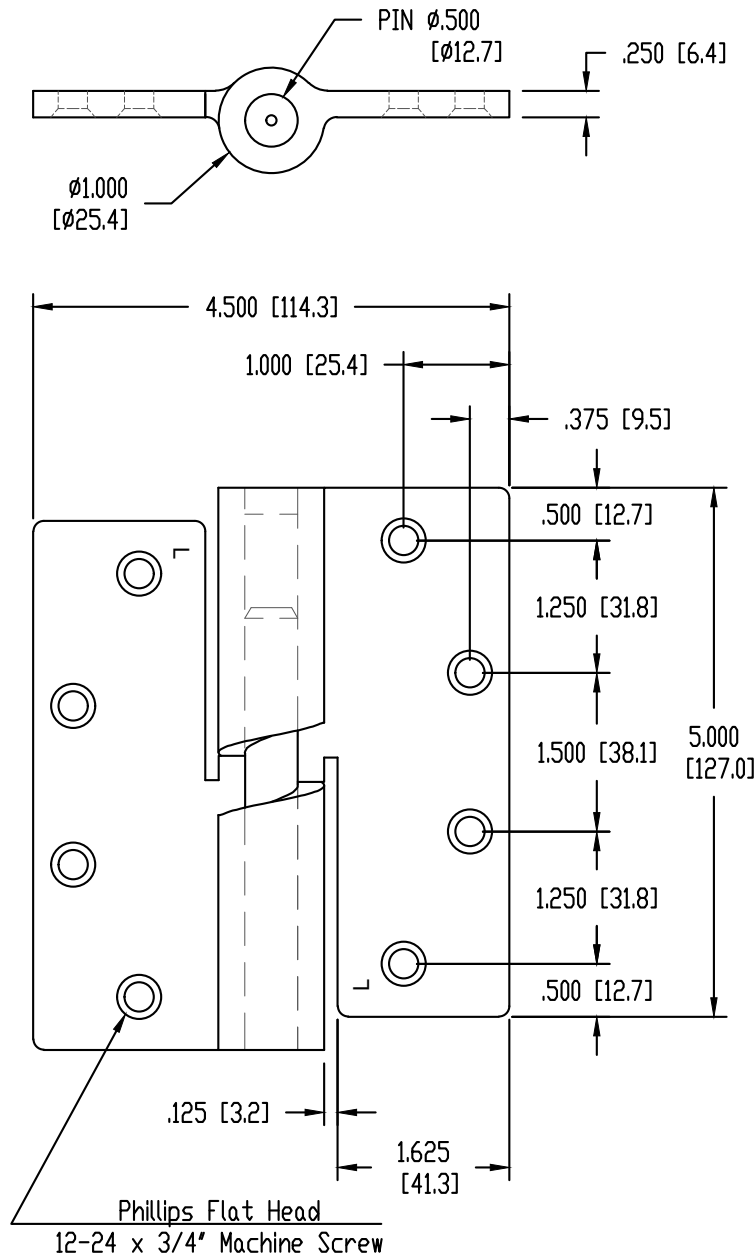
# Architectural Door Accessories

**ASSA ABLOY**

## MKCL250LH 5" x 4-1/2" Cam Lift Hinge

The global leader in  
door opening solutions

DO NOT SCALE  
LEFT HAND SHOWN  
DIMENSIONS: INCHES (MM)



### Template 725-19

**Effective date:** March 2019

**Supersedes:** All Previous

McKINNEY MKCL250 Cam Lift Hinge is made to conform to this drawing.

McKINNEY MKCL250 Cam Lift Hinge is handed.

Machine Screw Size:  
12-24 x 3/4"

Lift: 5/16"

ASSA ABLOY  
225 Episcopal Road  
Berlin CT 06037  
P: (800) 346-7707 • F: (800) 541-1073  
www.assaabloydooraccessories.us

Copyright © 2019, ASSA ABLOY Accessories and Door Controls Group, Inc. All rights reserved. Reproduction in whole or in part without the express written permission of ASSA ABLOY Accessories and Door Controls Group, Inc. is prohibited.