

Mechanical Lock Parts Book

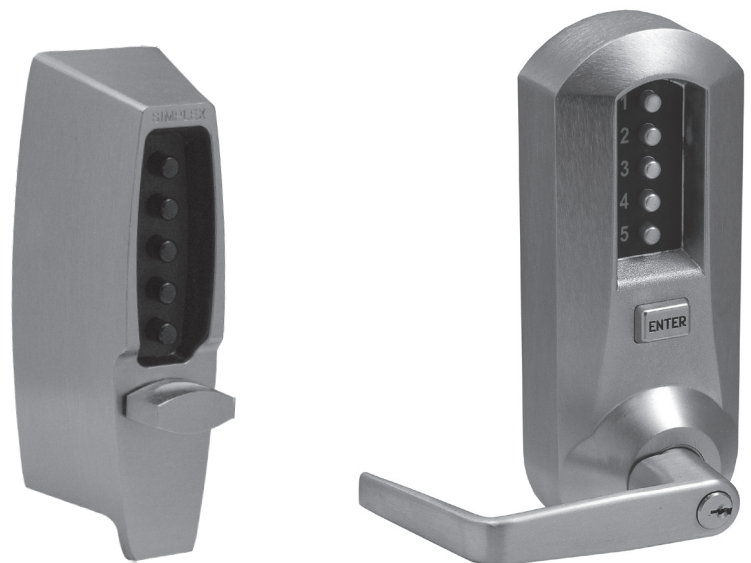


Table of Contents

How to Order

Simplex

Simplex 5000 Series Cylindrical (Manufactured after March 2005)

Simplex 5000 Series Cylindrical (Manufactured Prior to April 2005)

Simplex 5010 Series Exit Trim

Simplex 1000 Series

Simplex L1000 Series

Simplex EE1000 Series

Simplex 8100 Series

Simplex LP1000 Series

Simplex 2015 Series

Simplex 3000 Series

Simplex 6200 Series

Simplex 7100 Series

Simplex 900 Series

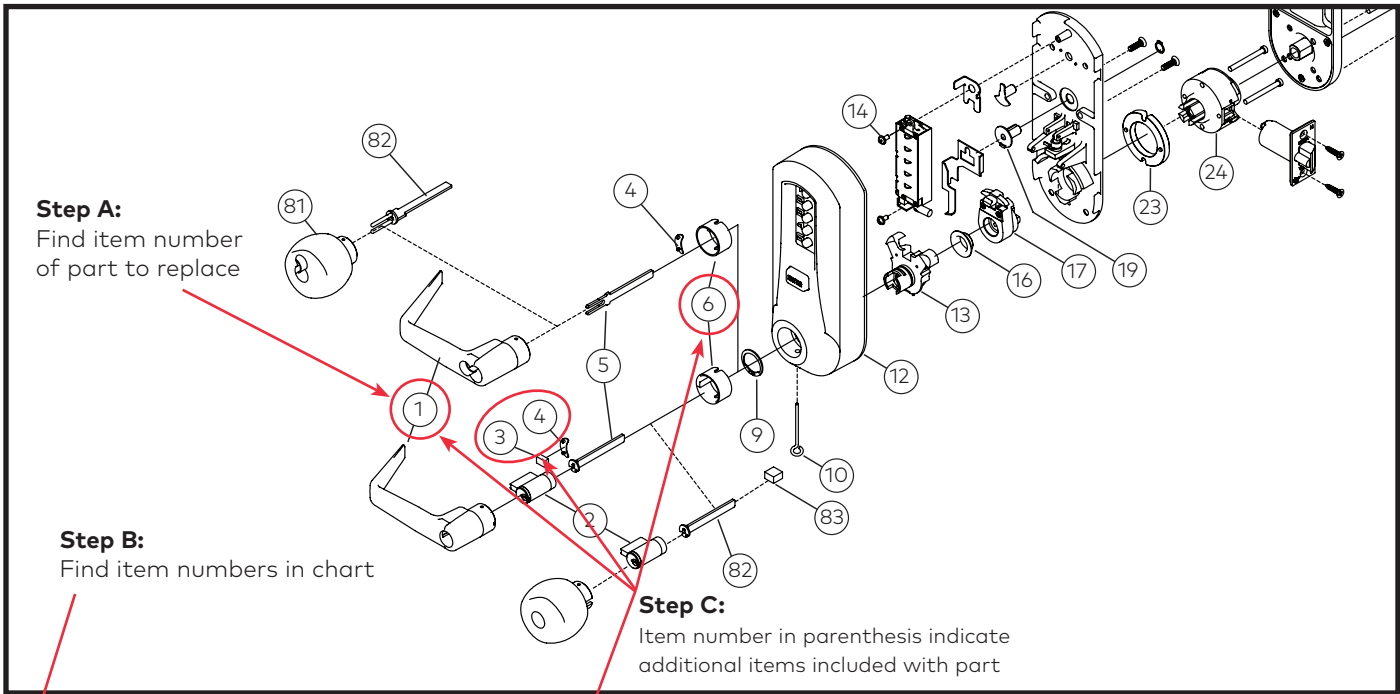
How to Order

Step A: Locate the part you are looking to replace in the appropriate exploded view drawing. Each part is given an item number.

Step B: Find the item number in the left column of the appropriate chart and determine part number.

Step C: If the description of your part also includes additional item numbers in parentheses, those items combine to make a kit. When ordering, please note that the part number listed for this item includes all items listed in the description. (Note: The additional item numbers in parentheses also reference parts in the exploded view drawing.)

Example



Item	Qty/Lock	Description	Finish	Part Number
1	1	Outside Lever, KIL (Includes 1 ea. #1, #3, #4, #6)	Satin Chrome	3422926D01
		Outside Lever, KIL (Includes 1 ea. #1, #3, #4, #6)	Bright Brass	342290301
		Outside Lever, KIL (Includes 1 ea. #1, #3, #4, #6)	Satin Brass	342290401
		Outside Lever, KIL (Includes 1 ea. #1, #3, #4, #6)	Dark Bronze	3422974401
		Outside Lever, KIL (Includes 1 ea. #1, #3, #4, #6)	Bright Chrome	3422902601

Where to Order

Contact your local distributor or contact sales.gb@dormakaba.com

For More Information

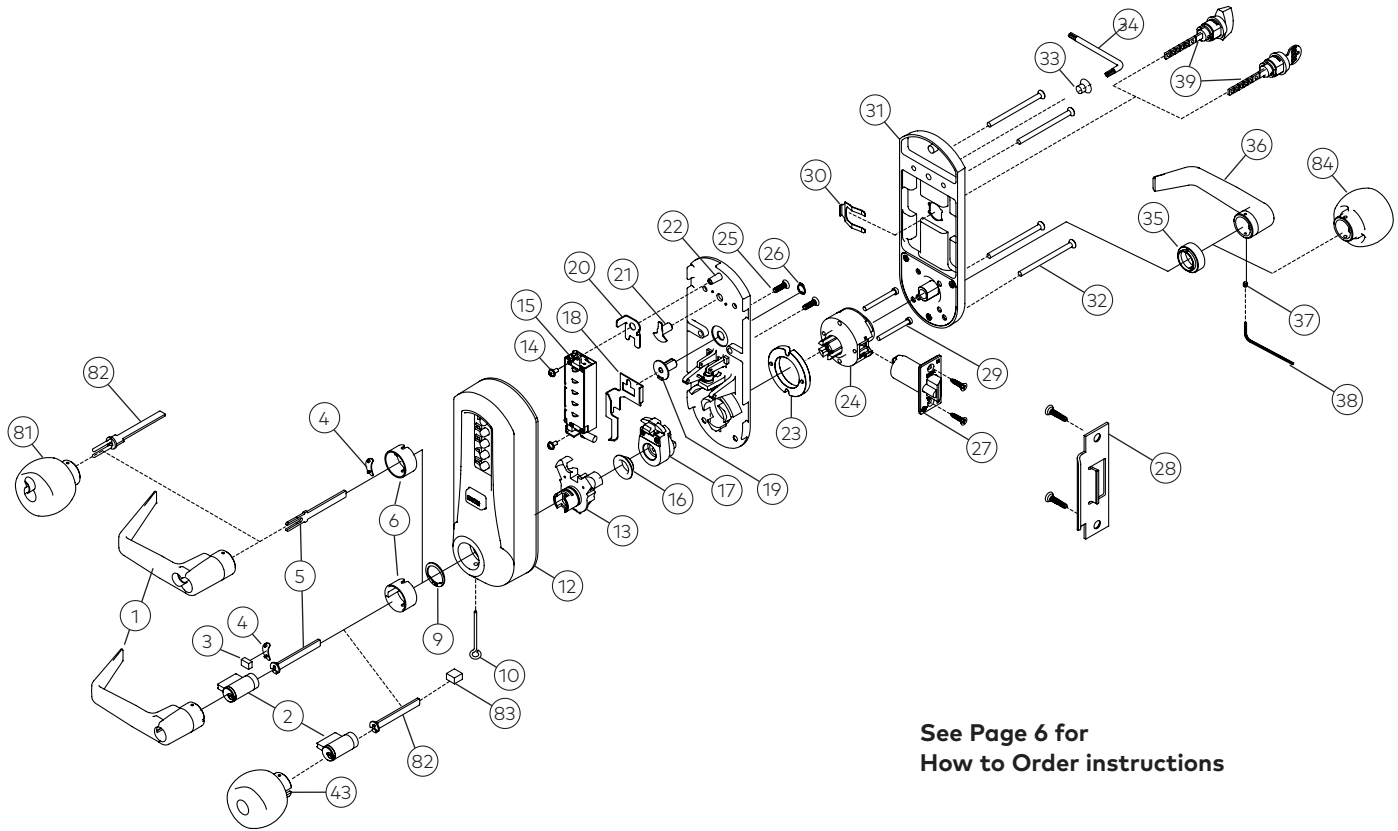
www.dormakaba.co.uk

The following are registered names and/or trademarks:
 Abloystm, Adams Rite, Arrow, ASSA, Best, Black & Decker, Cal Royal, Corbin Russwin, Detex, Dorma, Precision, Kaba, Marks, Medeco, Monarch, Precision, Sargent, Schlage, Simplex, Von Duprin, Weiser, Yale



Simplex

5000 Series (Manufactured After March 2005)



**See Page 6 for
How to Order instructions**

Item	Qty/Lock	Description	Finish	Part Number
1	1	Outside Lever, KIL (Includes 1 ea. #1, #3, #4, #6)	Satin Chrome	3422926D01
		Outside Lever, KIL (Includes 1 ea. #1, #3, #4, #6)	Bright Brass	342290301
		Outside Lever, KIL (Includes 1 ea. #1, #3, #4, #6)	Satin Brass	342290401
		Outside Lever, KIL (Includes 1 ea. #1, #3, #4, #6)	Dark Bronze	3422974401
		Outside Lever, KIL (Includes 1 ea. #1, #3, #4, #6)	Bright Chrome	3422926D01
		Outside Lever, Schlage (Includes 1 ea. #1, #4, #6)	Satin Chrome	3423026D01
		Outside Lever, Schlage (Includes 1 ea. #1, #4, #6)	Bright Brass	342300301
		Outside Lever, Schlage (Includes 1 ea. #1, #4, #6)	Satin Brass	342300401
		Outside Lever, Schlage (Includes 1 ea. #1, #4, #6)	Dark Bronze	3423074401
		Outside Lever, Schlage (Includes 1 ea. #1, #4, #6)	Bright Chrome	3423002601
		Outside Lever, Corbin-Russwin (Includes 1 ea. #1, #4, #6)	Satin Chrome	3423126D01
		Outside Lever, Corbin-Russwin (Includes 1 ea. #1, #4, #6)	Bright Brass	342310301
		Outside Lever, Corbin-Russwin (Includes 1 ea. #1, #4, #6)	Satin Brass	342310401
		Outside Lever, Corbin-Russwin (Includes 1 ea. #1, #4, #6)	Dark Bronze	3423174401
		Outside Lever, Corbin-Russwin (Includes 1 ea. #1, #4, #6)	Bright Chrome	3423102601
		Outside Lever, Sargent (Includes 1 ea. #1, #4, #6)	Satin Chrome	3423226D01
		Outside Lever, Sargent (Includes 1 ea. #1, #4, #6)	Bright Brass	342320301

Simplex

5000 Series (Manufactured After March 2005)



Item	Qty/Lock	Description	Finish	Part Number
1	1	Outside Lever, Sargent (Includes 1 ea. #1, #4, #6)	Satin Brass	342320401
		Outside Lever, Sargent (Includes 1 ea. #1, #4, #6)	Dark Bronze	3423274401
		Outside Lever, Sargent (Includes 1 ea. #1, #4, #6)	Bright Chrome	3423202601
		Outside Lever, Best (Includes 1 ea. #1, #4, #6)	Satin Chrome	3423326D01
		Outside Lever, Best (Includes 1 ea. #1, #4, #6)	Bright Brass	342330301
		Outside Lever, Best (Includes 1 ea. #1, #4, #6)	Satin Brass	342330401
		Outside Lever, Best (Includes 1 ea. #1, #4, #6)	Dark Bronze	3423374401
		Outside Lever, Best (Includes 1 ea. #1, #4, #6)	Bright Chrome	3423302601
		Outside Lever, Assa/Medeco/Yale (Includes 1 ea. #1, #4, #6)	Satin Chrome	3423426D01
		Outside Lever, Assa/Medeco/Yale (Includes 1 ea. #1, #4, #6)	Bright Brass	342340301
		Outside Lever, Assa/Medeco/Yale (Includes 1 ea. #1, #4, #6)	Satin Brass	342340401
		Outside Lever, Assa/Medeco/Yale (Includes 1 ea. #1, #4, #6)	Dark Bronze	3423474401
		Outside Lever, Assa/Medeco/Yale (Includes 1 ea. #1, #4, #6)	Bright Chrome	3423402601
		2	1	Kaba KIL Cylinder (w/keys), Keyed Differently
Kaba KIL Cylinder (w/keys), Keyed Differently	Satin Brass			545620401
Schlage KIL Cylinder (w/keys), Keyed Differently	Satin Chrome			5456826D01
Schlage KIL Cylinder (w/keys), Keyed Differently	Satin Brass			545680401
KABA90 Key Blank, 50/Box - Available from Ilco Division - Rocky Mount				KABA90
3	1	Cylinder Keeper - Lever Sleeve Accessory Kit, KIL (Includes 1 ea. #3, #4, #6, #83)		6470600001
4	1	Outside Lever Insert (10 Pack)		5452700010
5	1	Tailpiece Kit, KIL (Includes 5 tailpieces - fits various cylinders)		7489200001
		Tailpiece Kit, Best (6 and 7-pin)		6472400001
		Tailpiece Kit, Corbin-Russwin/Sargent		2447100001
		Tailpiece Kit, Assa/Medeco/Yale (5/6/7-pin)		7483600001
		Tailpiece Kit, Schlage		5461800001
6	1	Lever Sleeve - Lever Sleeve Accessory Kit, KIL (Includes 1 ea. #3, #4, #6, #83)		6470600001
		Lever Sleeve - Lever Sleeve Accessory Kit, IC (Includes 1 ea. #4, #6)		6470700001
9	1	External Retaining Ring (10 Pack)		5451700010
10	1	Lever Release Tool - Accessory Tool Kit (Includes 1 ea. #10, #38)		6471700001
12	1	Outside Housing, Exterior Code Change (Includes code buttons and enter button)	Satin Chrome	7495626D01
		Outside Housing, Exterior Code Change (Includes code buttons and enter button)	Bright Brass	749560301
		Outside Housing, Exterior Code Change (Includes code buttons and enter button)	Satin Brass	749560401
		Outside Housing, Exterior Code Change (Includes code buttons and enter button)	Dark Bronze	7495674401
		Outside Housing, Exterior Code Change (Includes code buttons and enter button)	Wrinkle Black	7495608301
		Outside Housing, Exterior Code Change (Includes code buttons and enter button)	Bright Chrome	7495602601
		Outside Housing, Interior Code Change (Includes code buttons and enter button)	Satin Chrome	7496026D01
		Outside Housing, Interior Code Change (Includes code buttons and enter button)	Bright Brass	749600301



Simplex

5000 Series (Manufactured After March 2005)

Item	Qty/Lock	Description	Finish	Part Number
12	1	Outside Housing, Interior Code Change (Includes code buttons and enter button)	Satin Brass	749600401
		Outside Housing, Interior Code Change (Includes code buttons and enter button)	Dark Bronze	7496074401
		Outside Housing, Interior Code Change (Includes code buttons and enter button)	Wrinkle Black	7496008301
		Outside Housing, Interior Code Change (Includes code buttons and enter button)	Bright Chrome	7496002601
13	1	Outside Driver Assembly (Includes 1 ea. of #9, #13)		7495400001
14	2	Screw, #6-32 x 5/16", Pan hd, SEM - Screw Pack (10 ea. 6-32 x 3/8", 5/16", 7/16")		6477600001
15	1	Combination Chamber		7483200001
16	1	Driver Bearing (10 Pack)		3418900010
17	1	Extension Sleeve Assembly (Fits standard or passage)		7490000001
18	1	Passage Actuator Plate - Passage Kit (Includes 1 ea. #18, #19, #26)		6474700001
19	1	Passage Actuator Cam - Passage Kit (Includes 1 ea. #18, #19, #26)		6474700001
20	1	Interior Code Change Bracket -Interior Code Change Actuator Kit (Includes 1 ea. #20, #21)		6474800001
21	1	Interior Code Change Actuator - Interior Code Change Actuator Kit (Includes 1 ea. #20, #21)		6474800001
22	1	Outside Base Assembly without Chamber		7520700001
23	1	1/4" Spacer (Includes 2 ea. #23, #29)		6471200001
24	1	Cylindrical Drive Unit Assembly (CDU)		7484100001
25	2	Outside Base Screw (10 Pack)		5446100010
26	1	Retaining Ring (10 Pack)		20144000010
27	1	Latch 12" Floating Face, 2 3/4" Backset - 3 Hour Fire Rated (Includes Screws)	Satin Chrome	20416826D01
		Latch 12" Floating Face, 2 3/4" Backset - 3 Hour Fire Rated (Includes Screws)	Bright Brass	2041680301
		Latch 12" Floating Face, 2 3/4" Backset - 3 Hour Fire Rated (Includes Screws)	Satin Brass	2041680401
		Latch 12" Floating Face, 2 3/4" Backset - 3 Hour Fire Rated (Includes Screws)	Dark Bronze	20416874401
		Latch 3/4" Floating Face, 2 3/4" Backset - 3 Hour Fire Rated (Includes Screws)	Satin Chrome	20114426D01
		Latch 3/4" Floating Face, 2 3/4" Backset - 3 Hour Fire Rated (Includes Screws)	Bright Brass	2011440301
		Latch 3/4" Floating Face, 2 3/4" Backset - 3 Hour Fire Rated (Includes Screws)	Bright Brass	20114474401
		Latch 12" Floating Face, 2 3/8" Backset - 3 Hour Fire Rated (Includes Screws)	Satin Chrome	751852601
		Latch 12" Floating Face, 2 3/8" Backset - 3 Hour Fire Rated (Includes Screws)	Bright Brass	751850301
		Latch 12" Floating Face, 2 3/8" Backset - 3 Hour Fire Rated (Includes Screws)	Satin Brass	751850401
28	1	ASA Strike Kit 4 7/8" Long (124 mm) (Includes Screws)	Satin Chrome	20411926D01
		ASA Strike Kit 4 7/8" Long (124 mm) (Includes Screws)	Bright Brass	2041190301
		ASA Strike Kit 4 7/8" Long (124 mm) (Includes Screws)	Satin Brass	2041190401
		ASA Strike Kit 4 7/8" Long (124 mm) (Includes Screws)	Dark Bronze	20411974401

Simplex

5000 Series (Manufactured After March 2005)



Item	Qty/Lock	Description	Finish	Part Number
28	1	Standard "T" Strike Plate Kit (Includes Screws)	Satin Chrome	20422726D01
		Standard "T" Strike Plate Kit (Includes Screws)	Bright Brass	2042270301
		Standard "T" Strike Plate Kit (Includes Screws)	Bright Brass	2042270401
		Standard "T" Strike Plate Kit (Includes Screws)	Dark Bronze	20422774401
29	2	Connecting Screw, Phillips 8-32 X 1 3/8" (Includes 2 ea. #23, #29)		6471200001
30	1	Passage Spring Clip (10 Pack)		20174000010
31	1	Inside Housing Assembly, Complete	Satin Chrome	7484426D01
		Inside Housing Assembly, Complete	Bright Brass	748440301
		Inside Housing Assembly, Complete	Satin Brass	748440401
		Inside Housing Assembly, Complete	Dark Bronze	7484474401
		Inside Housing Assembly, Complete	Wrinkle Black	7484408301
		Inside Housing Assembly, Complete	Bright Chrome	7484402601
		Inside Housing Assembly, Complete, Interior Code Change	Satin Chrome	7487626D01
		Inside Housing Assembly, Complete, Interior Code Change	Bright Brass	748760301
		Inside Housing Assembly, Complete, Interior Code Change	Satin Brass	748760401
		Inside Housing Assembly, Complete, Interior Code Change	Dark Bronze	7487674401
		Inside Housing Assembly, Complete, Interior Code Change	Wrinkle Black	7487608301
		Inside Housing Assembly, Complete, Interior Code Change	Bright Chrome	7487602601
		Inside Housing Assembly, Complete, Passage	Satin Chrome	7490426D01
		Inside Housing Assembly, Complete, Passage	Bright Brass	749040301
		Inside Housing Assembly, Complete, Passage	Satin Brass	749040401
		Inside Housing Assembly, Complete, Passage	Dark Bronze	7490474401
		Inside Housing Assembly, Complete, Passage	Wrinkle Black	7490408301
		Inside Housing Assembly, Complete, Passage	Bright Chrome	7490402601
		Inside Housing Assembly, Complete, Interior Code Change w/ Passage	Satin Chrome	7492726D01
		Inside Housing Assembly, Complete, Interior Code Change w/ Passage	Bright Brass	749270301
Inside Housing Assembly, Complete, Interior Code Change w/ Passage	Satin Brass	749270401		
Inside Housing Assembly, Complete, Interior Code Change w/ Passage	Dark Bronze	7492774401		
Inside Housing Assembly, Complete, Interior Code Change w/ Passage	Wrinkle Black	7492708301		
Inside Housing Assembly, Complete, Interior Code Change w/ Passage	Bright Chrome	7492702601		
32	4	Mounting Screw Kit (4 ea., 3 different lengths)	Satin Chrome	6475326D01
		Mounting Screw Kit (4 ea., 3 different lengths)	Bright Brass	647530301
33	1	Torx Screw - Interior Code Change Screw Kit (Includes 1 ea. #33, #34)		6475200001
34	1	Torx Wrench - Interior Code Change Screw Kit (Includes 1 ea. #33, #34)		6475200001
35	1	Housing Bearing (10 Pack)		3419100010
36	1	Inside Lever Kit (Includes 1 ea. #36, #37, #38)	Satin Chrome	3418626D01
		Inside Lever Kit (Includes 1 ea. #36, #37, #38)	Bright Brass	341860301
		Inside Lever Kit (Includes 1 ea. #36, #37, #38)	Satin Brass	341860401
		Inside Lever Kit (Includes 1 ea. #36, #37, #38)	Dark Bronze	3418674401
		Inside Lever Kit (Includes 1 ea. #36, #37, #38)	Bright Chrome	3418602601
37	2	Inside Lever Set Screw (10 Pack)		5446300010
38	1	Hex Wrench - Accessory Tool Kit (Includes 1 ea. #10, #38)		6471700001
39	1	Passage Thumbturn & Keyturn Kit (Includes 1 ea. #30, #39)	Satin Chrome	80127926D01
		Passage Thumbturn & Keyturn Kit (Includes 1 ea. #30, #39)	Bright Brass	8012790301
		Passage Thumbturn & Keyturn Kit (Includes 1 ea. #30, #39)	Satin Brass	8012790401



Simplex

5000 Series (Manufactured After March 2005)

Item	Qty/Lock	Description	Finish	Part Number
81	1	Outside Knob, KIK (Includes 1 ea. #6, #81, #83)	Satin Chrome	3424626D01
		Outside Knob, KIK (Includes 1 ea. #6, #81, #83)	Bright Brass	342460301
		Outside Knob, KIK (Includes 1 ea. #6, #81, #83)	Satin Brass	342460401
		Outside Knob, KIK (Includes 1 ea. #6, #81, #83)	Dark Bronze	3424674401
		Outside Knob, KIK (Includes 1 ea. #6, #81, #83)	Bright Chrome	3424602601
		Outside Knob, Corbin-Russwin (Includes 1 ea. #6, #81)	Satin Chrome	3424426D01
		Outside Knob, Corbin-Russwin (Includes 1 ea. #6, #81)	Bright Brass	342440301
		Outside Knob, Corbin-Russwin (Includes 1 ea. #6, #81)	Satin Brass	342440401
		Outside Knob, Corbin-Russwin (Includes 1 ea. #6, #81)	Dark Bronze	3424474401
		Outside Knob, Corbin-Russwin (Includes 1 ea. #6, #81)	Bright Chrome	3424402601
		Outside Knob, Sargent (Includes 1 ea. #6, #81)	Satin Chrome	3424526D01
		Outside Knob, Sargent (Includes 1 ea. #6, #81)	Bright Brass	342450301
		Outside Knob, Sargent (Includes 1 ea. #6, #81)	Satin Brass	342450401
		Outside Knob, Sargent (Includes 1 ea. #6, #81)	Dark Bronze	3424574401
		Outside Knob, Sargent (Includes 1 ea. #6, #81)	Bright Chrome	3424502601
		Outside Knob, Best (Includes 1 ea. #6, #81)	Satin Chrome	3424826D01
		Outside Knob, Best (Includes 1 ea. #6, #81)	Bright Brass	342480301
		Outside Knob, Best (Includes 1 ea. #6, #81)	Satin Brass	342480401
		Outside Knob, Best (Includes 1 ea. #6, #81)	Dark Bronze	3424874401
		Outside Knob, Best (Includes 1 ea. #6, #81)	Bright Chrome	3424802601
		Outside Knob, Schlage (Includes 1 ea. #6, #81)	Satin Chrome	3424926D01
		Outside Knob, Schlage (Includes 1 ea. #6, #81)	Bright Brass	342490301
		Outside Knob, Schlage (Includes 1 ea. #6, #81)	Satin Brass	342490401
		Outside Knob, Schlage (Includes 1 ea. #6, #81)	Dark Bronze	3424974401
		Outside Knob, Schlage (Includes 1 ea. #6, #81)	Bright Chrome	3424902601
		Outside Knob, Assa/Medeco/Yale (Includes 1 ea. #6, #81)	Satin Chrome	3425026D01
		Outside Knob, Assa/Medeco/Yale (Includes 1 ea. #6, #81)	Bright Brass	342500301
		Outside Knob, Assa/Medeco/Yale (Includes 1 ea. #6, #81)	Satin Brass	342500401
		Outside Knob, Assa/Medeco/Yale (Includes 1 ea. #6, #81)	Dark Bronze	3425074401
		Outside Knob, Assa/Medeco/Yale (Includes 1 ea. #6, #81)	Satin Chrome	3425002601
82	1	Tailpiece Kit, KIK - Includes 5 tailpieces - fits various cylinders		7489200001
		Tailpiece Kit, Best (Knob Only) 6 and 7-pin		7498800001
		Tailpiece Kit, Corbin-Russwin (Knob Only)		7498900001
		Tailpiece Kit, Sargent (Knob Only)		7499000001
		Tailpiece Kit, Assa/Medeco/Yale (Knob Only)		7498700001
		Tailpiece Kit, Schlage (Knob Only)		5461800001
83	1	Cylinder Keeper, Knob - Lever Sleeve Accessory Kit, KIL (Includes 1 ea. #3, #4, #6, #83)		6470600001
84	1	Inside Knob Kit (Includes 1 ea. #37, #38, #84)	Satin Chrome	3424726D01
		Inside Knob Kit (Includes 1 ea. #37, #38, #84)	Bright Brass	342470301
		Inside Knob Kit (Includes 1 ea. #37, #38, #84)	Satin Brass	342470401
		Inside Knob Kit (Includes 1 ea. #37, #38, #84)	Dark Bronze	3424774401
		Inside Knob Kit (Includes 1 ea. #37, #38, #84)	Bright Chrome	3424702601

Simplex

5000 Series (Manufactured After March 2005)



Simplex

Additional Kits & Accessories	Finish	Part Number
Installation Hardware Kit (Includes 1 ea. #3, #4, #10, #23, #38; 2 ea. #37; 4 ea. #32)	Satin Chrome	7485926D01
Installation Hardware Kit (Includes 1 ea. #3, #4, #10, #23, #38; 2 ea. #37; 4 ea. #32)	Bright Brass	748590301
Product Documentation Kit		PKG2863
Lubriplate Aero Grease Tubes		6475400001
Lever Return Spring (Fits inside and outside driver) (10 Pack)		5448200010
Actuator Button Spring (10 Pack)		5451400010
Tamper Proof Screw Kit (4 ea., 3 lengths) (Includes Wrench)	Satin Chrome	6468326D01
Tamper Proof Screw Kit (4 ea., 3 lengths) (Includes Wrench)	Bright Brass	646830301
Best Equivalent Removable Core Cylinder (Sold international only, not available for U.S.)	Bright Brass	2014840301
Best Equivalent Removable Core Cylinder (Sold international only, not available for U.S.)	Antique Brass	2014840501
Best Equivalent Removable Core Cylinder (Sold international only, not available for U.S.)	Satin Chrome	20148426D01
Wrap Plate, 10.5" (267mm) x 5" (127mm)	Satin Chrome	20423126D41
Wrap Plate, 10.5" (267mm) x 5" (127mm)	Bright Brass	2042310341
Wrap Plate, 15" (381mm) x 5" (127mm)	Satin Chrome	20423226D41
Wrap Plate, 15" (381mm) x 5" (127mm)	Bright Brass	2042320341
Weather Cover (1000/L1000/5000/E5000)	Smoke	5464400041
Latch Extension Assembly - Converts to 3 3/4" (95mm) backset		20402200001
Latch Extension Assembly - Converts to 5" (130mm) backset		20402300001
Installation Jig (for use with 5000/1000/L1000/E5000)		6468426D01
Simplex 5000/1000/L1000 Cylindrical Wood Demo Mount (lock not included)		20304400041
Simplex 5000 Cylindrical Acrylic Demo Mount (lock not included)		SP5000ACLMT

Note: For kit items that show additional reference #s in parentheses, the quantity required for 1 lock is included in kit.

Note: Lubriplate Aero grease is the "only" lubricant that should be used.

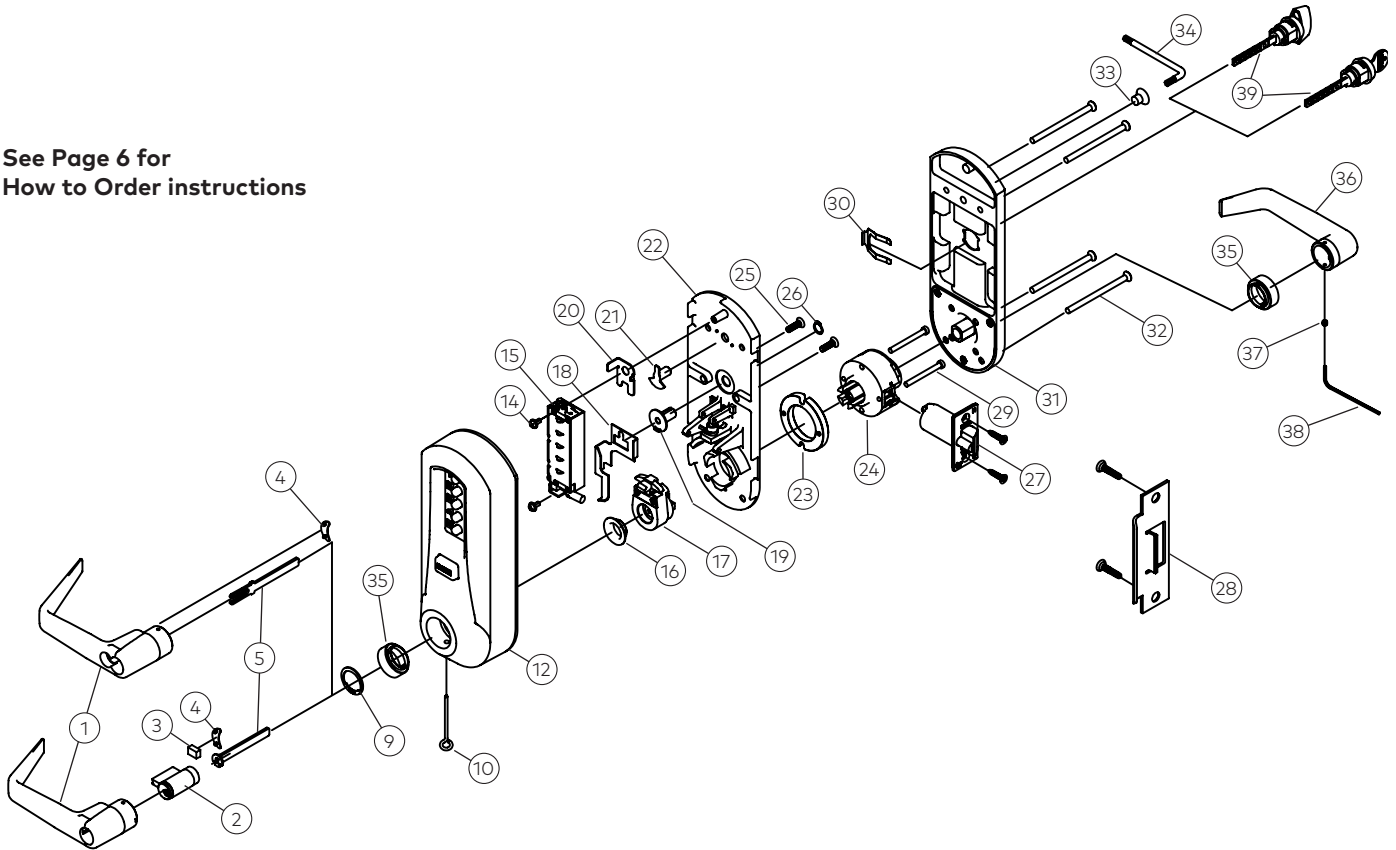
Parts availability may be limited on older component parts no longer used in production units.



Simplex

5000 Series (Manufactured Prior to April 2005)

See Page 6 for
How to Order instructions



Item	Qty/Lock	Description	Finish	Part Number
1	1	Outside Lever, KIL - No longer available - order 1 ea. #1, #6, #12, #13 from p. 4-6	Satin Chrome	3419726D01
		Outside Lever, KIL - No longer available - order 1 ea. #1, #6, #12, #13 from p. 4-6	Bright Brass	341970301
		Outside Lever, KIL - No longer available - order 1 ea. #1, #6, #12, #13 from p. 4-6	Satin Brass	341970401
		Outside Lever, KIL - No longer available - order 1 ea. #1, #6, #12, #13 from p. 4-6	Dark Bronze	3419774401
		Outside Lever, Schlage - No longer available - order 1 ea. #1, #6, #12, #13 from p. 4-6	Satin Chrome	3419926D01
		Outside Lever, Schlage - No longer available - order 1 ea. #1, #6, #12, #13 from p. 4-6	Bright Brass	341990301
		Outside Lever, Schlage - No longer available - order 1 ea. #1, #6, #12, #13 from p. 4-6	Satin Brass	341990401
		Outside Lever, Schlage - No longer available - order 1 ea. #1, #6, #12, #13 from p. 4-6	Dark Bronze	3419974401
		Outside Lever, Corbin-Russwin - No longer available - order 1 ea. #1, #6, #12, #13 from p. 4-6	Satin Chrome	3420026D01
		Outside Lever, Corbin-Russwin - No longer available - order 1 ea. #1, #6, #12, #13 from p. 4-6	Bright Brass	342000301
		Outside Lever, Corbin-Russwin - No longer available - order 1 ea. #1, #6, #12, #13 from p. 4-6	Satin Brass	342000401

When ordering a replacement housing for locks produced prior to April 2005, you must order a new lever and lever sleeve accessory kit.

Simplex

5000 Series (Manufactured Prior to April 2005)



Simplex

Item	Qty/Lock	Description	Finish	Part Number
1	1	Outside Lever, Corbin-Russwin - No longer available - order 1 ea. #1, #6, #12, #13 from p. 4-6	Dark Bronze	3420074401
		Outside Lever, Sargent - No longer available - order 1 ea. #1, #6, #12, #13 from p. 4-6	Satin Chrome	3420126D01
		Outside Lever, Sargent - No longer available - order 1 ea. #1, #6, #12, #13 from p. 4-6	Bright Brass	342010301
		Outside Lever, Sargent - No longer available - order 1 ea. #1, #6, #12, #13 from p. 4-6	Satin Brass	342010401
		Outside Lever, Sargent - No longer available - order 1 ea. #1, #6, #12, #13 from p. 4-6	Dark Bronze	3420174401
		Outside Lever, Best - No longer available - order 1 ea. #1, #6, #12, #13 from p. 4-6	Satin Chrome	3420326D01
		Outside Lever, Best - No longer available - order 1 ea. #1, #6, #12, #13 from p. 4-6	Bright Brass	342030301
		Outside Lever, Best - No longer available - order 1 ea. #1, #6, #12, #13 from p. 4-6	Satin Brass	342030401
		Outside Lever, Best - No longer available - order 1 ea. #1, #6, #12, #13 from p. 4-6	Dark Bronze	3420374401
		Outside Lever, Assa/Medeco/Yale - No longer available - order 1 ea. #1, #6, #12, #13 from p. 4-6	Satin Chrome	3420426D01
		Outside Lever, Assa/Medeco/Yale - No longer available - order 1 ea. #1, #6, #12, #13 from p. 4-6	Bright Brass	342040301
		Outside Lever, Assa/Medeco/Yale - No longer available - order 1 ea. #1, #6, #12, #13 from p. 4-6	Satin Brass	342040401
		Outside Lever, Assa/Medeco/Yale - No longer available - order 1 ea. #1, #6, #12, #13 from p. 4-6	Dark Bronze	3420474401
2	1	Kaba KIL Cylinder (w/keys), Keyed Differently	Satin Chrome	5456226D01
		Kaba KIL Cylinder (w/keys), Keyed Differently	Satin Brass	545620401
		Schlage KIL Cylinder (w/keys), Keyed Differently	Satin Chrome	5456826D01
		Schlage KIL Cylinder (w/keys), Keyed Differently	Satin Brass	545680401
		KABA90 Key Blank, 50/Box - Available from Ilco Division - Rocky Mount		KABA90
3	1	Cylinder Retainer (10 Pack)		5456900010
4	1	Outside Lever Insert (10 Pack)		5452700010
5	1	Tailpiece Kit, KIL (Includes 5 tailpieces - fits various cylinders)		7489200001
		Tailpiece Kit, Best (6 and 7-pin)		6472400001
		Tailpiece Kit, Corbin-Russwin/Sargent		2447100001
		Tailpiece Kit, Assa/Medeco/Yale		7483600001
		Tailpiece Kit, Schlage		5461800001
9	1	External Retaining Ring (10 Pack)		5451700010
10	1	Lever Release Tool - Accessory Tool Kit (Includes 1 ea. #10, #38)		6471700001
12	1	Outside Housing, Exterior Code Change with Driver - No longer available - order 1 ea. #1, #6, #12, #13 from p. 4-6	Satin Chrome	7495726D01
		Outside Housing, Exterior Code Change with Driver - No longer available - order 1 ea. #1, #6, #12, #13 from p. 4-6	Bright Brass	749570301
		Outside Housing, Exterior Code Change with Driver - No longer available - order 1 ea. #1, #6, #12, #13 from p. 4-6	Satin Brass	749570401
		Outside Housing, Exterior Code Change with Driver - No longer available - order 1 ea. #1, #6, #12, #13 from p. 4-6	Dark Bronze	7495774401
		Outside Housing, Exterior Code Change with Driver - No longer available - order 1 ea. #1, #6, #12, #13 from p. 4-6	Wrinkle Black	7495708301

When ordering a replacement housing for locks produced prior to April 2005, you must order a new lever and lever sleeve accessory kit.



Simplex

5000 Series (Manufactured Prior to April 2005)

Item	Qty/Lock	Description	Finish	Part Number
12	1	Outside Housing, Interior Code Change with Driver - No longer available - order 1 ea. #1, #6, #12, #13 from p. 4-6	Satin Chrome	7496126D01
		Outside Housing, Interior Code Change with Driver - No longer available - order 1 ea. #1, #6, #12, #13 from p. 4-6	Bright Brass	749610301
		Outside Housing, Interior Code Change with Driver - No longer available - order 1 ea. #1, #6, #12, #13 from p. 4-6	Satin Brass	749610401
		Outside Housing, Interior Code Change with Driver - No longer available - order 1 ea. #1, #6, #12, #13 from p. 4-6	Dark Bronze	7496174401
		Outside Housing, Interior Code Change with Driver - No longer available - order 1 ea. #1, #6, #12, #13 from p. 4-6	Wrinkle Black	7496108301
13	1	Outside Driver - No longer available - order 1 ea. #1, #6, #12, #13 from p. 4-6		N/A
14	2	Screw, #6-32 x 5/16", Pan hd, SEM - Screw Pack (10 ea. 6-32 x 3/8", 5/16", 7/16")		6477600001
15	1	Combination Chamber		7483200001
16	1	Driver Bearing (10 Pack)		3418900010
17	1	Extension Sleeve Assembly (Fits standard or passage)		7490000001
18	1	Passage Actuator Slide - Passage Kit (Includes 1 ea. #18, #19, #26)		6474700001
19	1	Passage Actuator Cam - Passage Kit (Includes 1 ea. #18, #19, #26)		6474700001
20	1	Interior Code Change Actuator - Interior Code Change Actuator Kit (Includes 1 ea. #20, #21)		6474800001
21	1	Interior Code Change Actuator Cam - Interior Code Change Actuator Kit (Includes 1 ea. #20, #21)		6474800001
22	1	Outside Base Assembly without chamber		7520700001
23	1	1/4" Spacer (Includes 2 of each #23, #29)		6471200001
24	1	Cylindrical Drive Unit Assembly (CDU)		7484100001
25	2	Screw, #10-24 x .625" Phillips, Outside Base (10 Pack)		5446100010
26	1	Retaining Ring (10 Pack)		20144000010
27	1	Latch 1/2" Floating Face - 3 Hour Fire Rated (Includes Screws)	Satin Chrome	20416826D01
		Latch 1/2" Floating Face - 3 Hour Fire Rated (Includes Screws)	Bright Brass	2041680301
		Latch 1/2" Floating Face - 3 Hour Fire Rated (Includes Screws)	Satin Brass	2041680401
		Latch 3/4" Floating Face - 3 Hour Fire Rated (Includes Screws)	Satin Chrome	20114426D01
		Latch 3/4" Floating Face - 3 Hour Fire Rated (Includes Screws)	Bright Brass	2011440301
		Latch 3/4" Floating Face - 3 Hour Fire Rated (Includes Screws)	Bright Brass	20114474401
28	1	ASA Strike Kit 4 7/8" Long (124 mm) (Includes Screws)	Satin Chrome	20411926D01
		ASA Strike Kit 4 7/8" Long (124 mm) (Includes Screws)	Bright Brass	2041190301
		ASA Strike Kit 4 7/8" Long (124 mm) (Includes Screws)	Satin Brass	2041190401
		Standard "T" Strike Plate Kit (Includes Screws)	Satin Chrome	20422726D01
		Standard "T" Strike Plate Kit (Includes Screws)	Bright Brass	2042270301
		Standard "T" Strike Plate Kit (Includes Screws)	Satin Brass	2042270401
29	2	Connecting Screw, Phillips 8-32 X 1 3/8" (Includes 2 ea. #23, #29)		6471200001
		Connecting Screw, Phillips 8-32 X 1 5/8" (Includes 2 ea. #23, #29)		6471200001
30	1	Passage Spring Clip (10 Pack)		20174000010
31	1	Inside Housing Assembly, Complete	Satin Chrome	7484426D01
		Inside Housing Assembly, Complete	Bright Brass	748440301
		Inside Housing Assembly, Complete	Satin Brass	748440401
		Inside Housing Assembly, Complete	Dark Bronze	7484474401

When ordering a replacement housing for locks produced prior to April 2005, you must order a new lever and lever sleeve accessory kit.

Simplex

5000 Series (Manufactured Prior to April 2005)



Item	Qty/Lock	Description	Finish	Part Number
31	1	Inside Housing Assembly, Complete	Wrinkle Black	7484408301
		Inside Housing Assembly, Complete, Interior Code Change	Satin Chrome	7487626D01
		Inside Housing Assembly, Complete, Interior Code Change	Bright Brass	748760301
		Inside Housing Assembly, Complete, Interior Code Change	Satin Brass	748760401
		Inside Housing Assembly, Complete, Interior Code Change	Dark Bronze	7487674401
		Inside Housing Assembly, Complete, Interior Code Change	Wrinkle Black	7487608301
		Inside Housing Assembly, Complete, Passage	Satin Chrome	7490426D01
		Inside Housing Assembly, Complete, Passage	Bright Brass	749040301
		Inside Housing Assembly, Complete, Passage	Satin Brass	749040401
		Inside Housing Assembly, Complete, Passage	Dark Bronze	7490474401
		Inside Housing Assembly, Complete, Passage	Wrinkle Black	7490408301
		Inside Housing Assembly, Complete, Interior Code Change w/ Passage	Satin Chrome	7492726D01
		Inside Housing Assembly, Complete, Interior Code Change with Passage	Bright Brass	749270301
		Inside Housing Assembly, Complete, Interior Code Change with Passage	Satin Brass	749270401
		Inside Housing Assembly, Complete, Interior Code Change with Passage	Dark Bronze	7492774401
		Inside Housing Assembly, Complete, Interior Code Change with Passage	Wrinkle Black	7492708301
32	4	Mounting Screw Kit (4 ea. of 3 sizes)	Satin Chrome	6475326D01
		Mounting Screw Kit (4 ea. of 3 sizes)	Bright Brass	647530301
33	1	Torx Screw - Interior Code Change Screw Kit (Includes 1 ea. #33, #34)		6475200001
34	1	Torx Wrench - Interior Code Change Screw Kit (Includes 1 ea. #33, #34)		6475200001
35	2	Housing Bearing (10 Pack)		3419100010
36	1	Inside Lever Kit (Includes 1 ea. #36, #37, #38)	Satin Chrome	3418626D01
		Inside Lever Kit (Includes 1 ea. #36, #37, #38)	Bright Brass	341860301
		Inside Lever Kit (Includes 1 ea. #36, #37, #38)	Satin Brass	341860401
		Inside Lever Kit (Includes 1 ea. #36, #37, #38)	Dark Bronze	3418674401
37	2	Inside Lever Set Screw (10 Pack)		5446300010
38	1	Hex Wrench - Accessory Tool Kit (Includes 1 ea. #10, #38)		6471700001
39	1	Passage Thumbturn & Keyturn Kit (Includes 1 ea. #30, #39)	Satin Chrome	80127926D01
		Passage Thumbturn & Keyturn Kit (Includes 1 ea. #30, #39)	Bright Brass	8012790301
		Passage Thumbturn & Keyturn Kit (Includes 1 ea. #30, #39)	Satin Brass	8012790401
Additional Kits & Accessories			Finish	Part Number
		Installation Hardware Kit (Includes 1 ea. #3, #4, #10, #23, #38; 2 ea. #37; 4 ea. #32)	Satin Chrome	7485926D01
		Installation Hardware Kit (Includes 1 ea. #3, #4, #10, #23, #38; 2 ea. #37; 4 ea. #32)	Bright Brass	748590301
		Product Documentation Kit		PKG2863
		Lubriplate Aero Grease Tubes		6475400001
		Lever Return Spring (Fits inside and outside driver (10 Pack)		5448200010
		Actuator Button Spring (10 Pack)		5451400010
		Tamper Proof Screw Kit (4 ea. of 3 sizes) (Includes Wrench)	Satin Chrome	6468326D41
		Tamper Proof Screw Kit (4 ea. of 3 sizes) (Includes Wrench)	Bright Brass	646830341

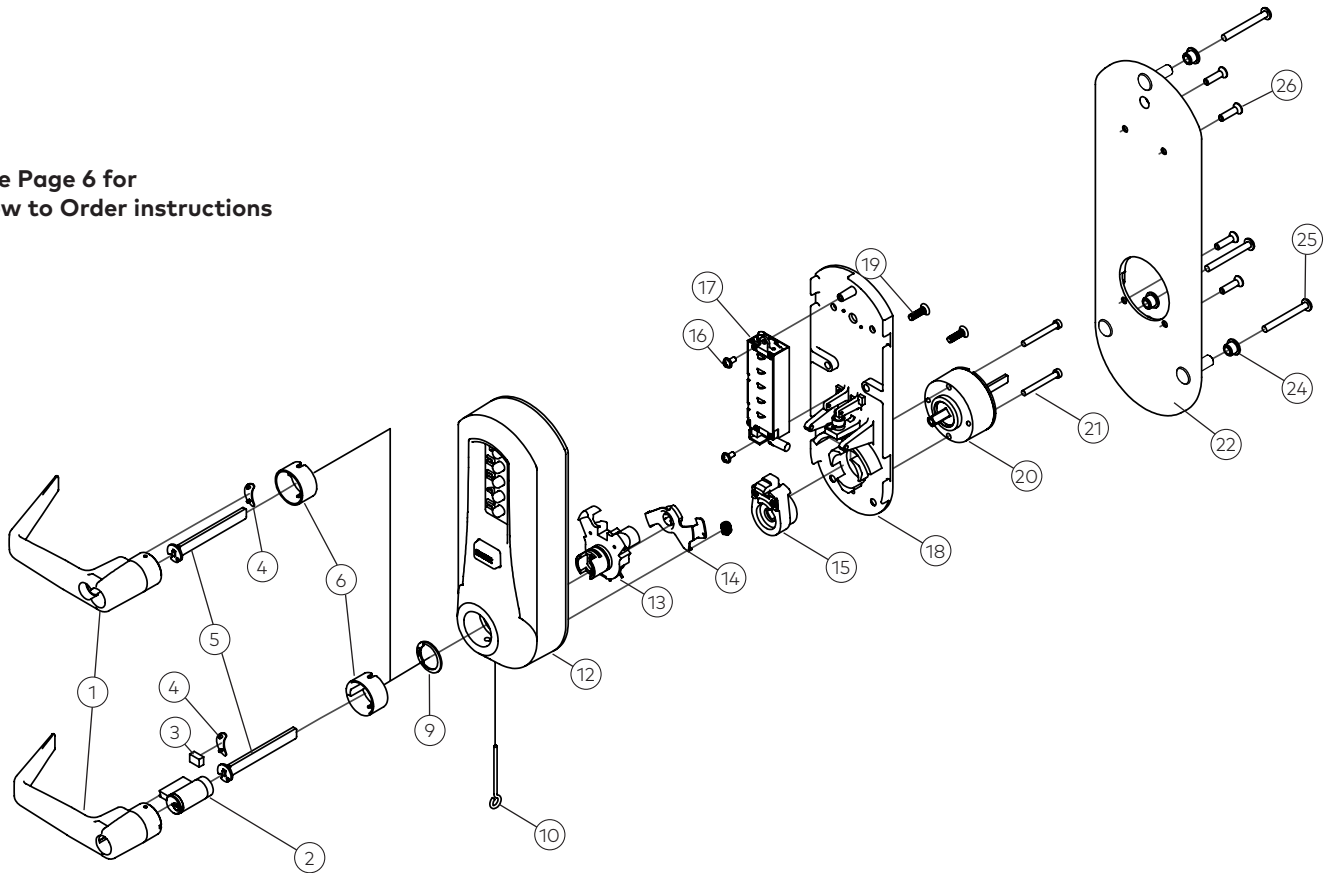
Notes:

- For kit items that show additional reference #s in parentheses, the quantity required for 1 lock is included in kit.
- Serial # should be properly identified to assure the correct parts are ordered based on the time of manufacture of your lock.
- When ordering a replacement housing for locks produced prior to April 2005, you must order a new lever and lever sleeve accessory kit.
- Lubriplate Aero grease is the "only" lubricant that should be used.
- Parts availability may be limited on older component parts no longer used in production units.



Simplex 5010 Exit Trim

See Page 6 for
How to Order instructions



Item	Qty/Lock	Description	Finish	Part Number
1	1	Outside Lever, KIL (Includes 1 ea. #1, #3, #4, #6)	Satin Chrome	3422926D01
		Outside Lever, KIL (Includes 1 ea. #1, #3, #4, #6)	Bright Brass	342290301
		Outside Lever, KIL (Includes 1 ea. #1, #3, #4, #6)	Satin Brass	342290401
		Outside Lever, KIL (Includes 1 ea. #1, #3, #4, #6)	Dark Bronze	3422974401
		Outside Lever, KIL (Includes 1 ea. #1, #3, #4, #6)	Bright Chrome	3422902601
		Outside Lever, Schlage (Includes 1 ea. #1, #4, #6)	Satin Chrome	3423026D01
		Outside Lever, Schlage (Includes 1 ea. #1, #4, #6)	Bright Brass	342300301
		Outside Lever, Schlage (Includes 1 ea. #1, #4, #6)	Satin Brass	342300401
		Outside Lever, Schlage (Includes 1 ea. #1, #4, #6)	Dark Bronze	3423074401
		Outside Lever, Schlage (Includes 1 ea. #1, #4, #6)	Bright Chrome	3423002601
		Outside Lever, Corbin-Russwin (Includes 1 ea. #1, #4, #6)	Satin Chrome	3423126D01
		Outside Lever, Corbin-Russwin (Includes 1 ea. #1, #4, #6)	Bright Brass	342310301
		Outside Lever, Corbin-Russwin (Includes 1 ea. #1, #4, #6)	Satin Brass	342310401
		Outside Lever, Corbin-Russwin (Includes 1 ea. #1, #4, #6)	Dark Bronze	3423174401
		Outside Lever, Corbin-Russwin (Includes 1 ea. #1, #4, #6)	Bright Chrome	3423102601
		Outside Lever, Sargent (Includes 1 ea. #1, #4, #6)	Satin Chrome	3423226D01
		Outside Lever, Sargent (Includes 1 ea. #1, #4, #6)	Bright Brass	342320301
		Outside Lever, Sargent (Includes 1 ea. #1, #4, #6)	Satin Brass	342320401
		Outside Lever, Sargent (Includes 1 ea. #1, #4, #6)	Dark Bronze	3423274401
		Outside Lever, Sargent (Includes 1 ea. #1, #4, #6)	Bright Chrome	3423202601

Simplex

5010 Exit Trim



Item	Qty/Lock	Description	Finish	Part Number
1	1	Outside Lever, Best (Includes 1 ea. #1, #4, #6)	Satin Chrome	3423326D01
		Outside Lever, Best (Includes 1 ea. #1, #4, #6)	Bright Brass	342330301
		Outside Lever, Best (Includes 1 ea. #1, #4, #6)	Satin Brass	342330401
		Outside Lever, Best (Includes 1 ea. #1, #4, #6)	Dark Bronze	3423374401
		Outside Lever, Best (Includes 1 ea. #1, #4, #6)	Bright Chrome	3423302601
		Outside Lever, Assa/Medeco/Yale (Includes 1 ea. #1, #4, #6)	Satin Chrome	3423426D01
		Outside Lever, Assa/Medeco/Yale (Includes 1 ea. #1, #4, #6)	Bright Brass	342340301
		Outside Lever, Assa/Medeco/Yale (Includes 1 ea. #1, #4, #6)	Satin Brass	342340401
		Outside Lever, Assa/Medeco/Yale (Includes 1 ea. #1, #4, #6)	Dark Bronze	3423474401
		Outside Lever, Assa/Medeco/Yale (Includes 1 ea. #1, #4, #6)	Bright Chrome	3423402601
2	1	Kaba KIL Cylinder (w/keys), Keyed Differently	Satin Chrome	5456226D01
		Kaba KIL Cylinder (w/keys), Keyed Differently	Satin Brass	545620401
		Schlage KIL Cylinder (w/keys), Keyed Differently	Satin Chrome	5456826D01
		Schlage KIL Cylinder (w/keys), Keyed Differently	Satin Brass	545680401
		KABA90 Key Blank, 50/Box - Available from Ilco Division - Rocky Mount		KABA90
3	1	Cylinder Keeper - Lever Sleeve Accessory Kit, KIL (Includes 1 ea. #3, #4, #6)		6470600001
4	1	Outside Lever Insert (10 Pack)		5452700010
5	1	Tailpiece Kit, KIL (Includes 5 tailpieces - fits various cylinders) ET/Mortise		6474500001
		Tailpiece Kit, Best (6 and 7-pin) ET/Mortise		6474300001
		Tailpiece Kit, Corbin-Russwin/Sargent ET/Mortise		2452000001
		Tailpiece Kit, Assa/Medeco/Yale ET/Mortise Yale (5/6/7-pin)		7483600001
		Tailpiece Kit, Schlage ET/Mortise		2452700001
6	1	Lever Sleeve - Lever Sleeve Accessory Kit, KIL (Includes 1 ea. #3, #4, #6)		6470600001
		Lever Sleeve - Lever Sleeve Accessory Kit, IC (Includes 1 ea. #4, #6)		6470700001
9	1	External Retaining Ring (10 Pack)		5451700010
10	1	Lever Release Tool - Accessory Tool Kit (Includes 1 ea. #11, other tools)		6471700001
12	1	Outside Housing, Exterior Code Change (Includes code buttons and enter button)	Satin Chrome	7497626D01
		Outside Housing, Exterior Code Change (Includes code buttons and enter button)	Bright Brass	749760301
		Outside Housing, Exterior Code Change (Includes code buttons and enter button)	Satin Brass	749760401
		Outside Housing, Exterior Code Change (Includes code buttons and enter button)	Dark Bronze	7497674401
		Outside Housing, Exterior Code Change (Includes code buttons and enter button)	Wrinkle Black	7497608301
		Outside Housing, Exterior Code Change (Includes code buttons and enter button)	Bright Chrome	7497602601
13	1	Outside Driver Assembly (Includes 1 ea. #9, #13)		7520100001
14	1	Key Override Detector Kit (Includes detector, spring and washer)		3430800001
15	1	Extension Sleeve Assembly - ET		7511600001
16	2	Screw, #6-32 x 5/16", Pan hd, SEM - Screw Pack (10 ea. 6-32 x 3/8", 5/16", 7/16")		6477600001
17	1	Combination Chamber		7483200001
18	1	Outside Base Assembly without Chamber		7520700001
19	2	Screw, #10-24 x .625" Phillips, Outside Base (10 Pack)		5446100010
20	1	Exit Trim Drive Unit		7496800001



Simplex

5010 Exit Trim

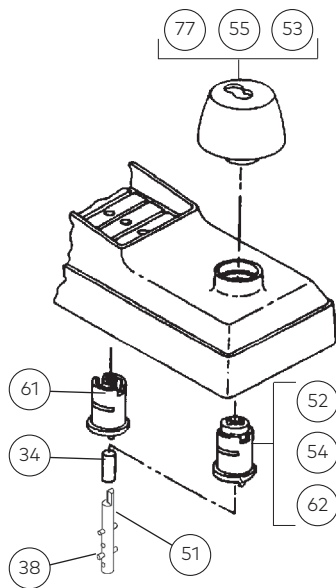
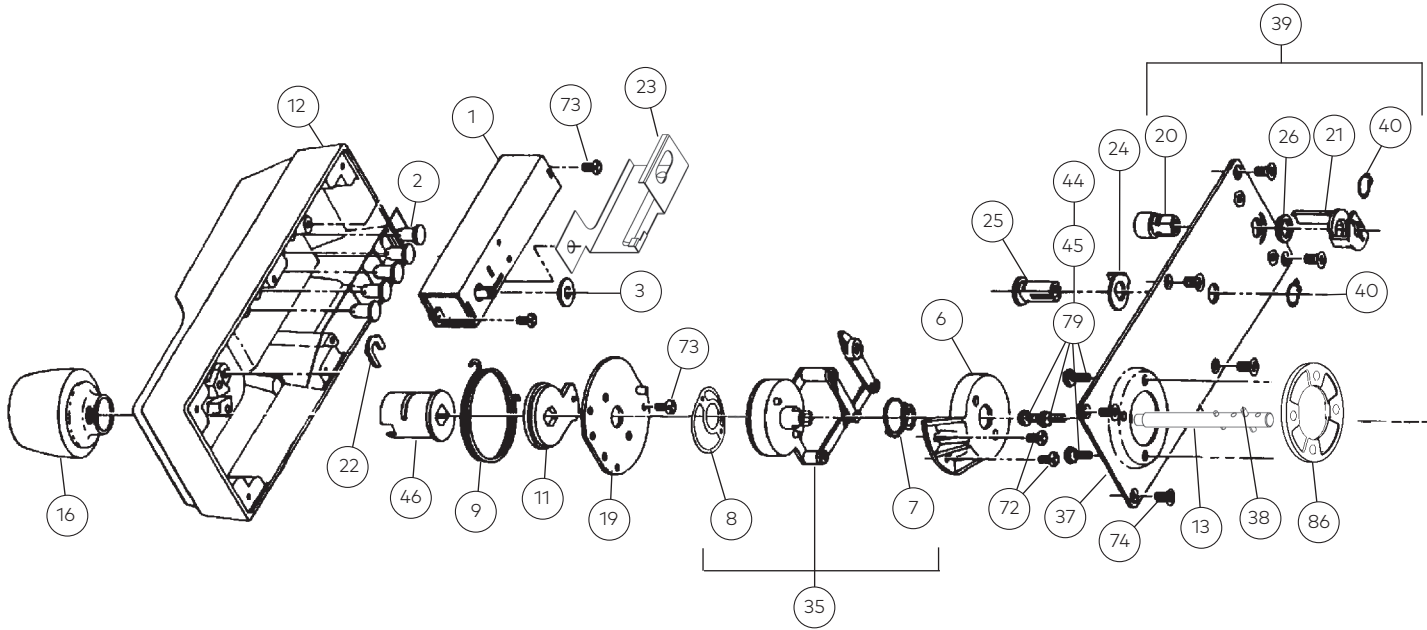
Item	Qty/Lock	Description	Finish	Part Number
21	2	Connecting Screw 8-32 X 1 3/8" (Incl. 4 ea. #21 - 2 ea. 2 lengths, and 1/4" spacers)		6471200001
		Connecting Screw 8-32 X 1 5/8" (Incl. 4 ea. #21 - 2 ea. 2 lengths, and 1/4" spacers)		6471200001
22	1	Universal Mounting Plate (Includes Fixed Sex Nuts)	Wrinkle Black	7524608301
24	3	Mounting Bushing (10 Pack)	Black	4422906810
25	3	Mounting Screw - Installation Hardware Kit (Includes 2 ea. #21; 3 ea. #24, #25; 4 ea. #26)	Satin Chrome	6472526D01
		Mounting Screw - Installation Hardware Kit (Includes 2 ea. #21; 3 ea. #24, #25; 4 ea. #26)	Bright Brass	647250301
26	4	Screw, 10-24 X .75" (10 Pack) Mounting Plate Screw		5459700010
Additional Kits & Accessories			Finish	Part Number
		Installation Hardware Kit (Includes 2 ea. #21; 3 ea. #24, #25; 4 ea. #26)	Satin Chrome	6472526D01
		Installation Hardware Kit (Includes 2 ea. #21; 3 ea. #24, #25; 4 ea. #26)	Bright Brass	647250301
		Lubriplate Aero Grease Tubes		6475400001
		Lever Return Spring (Fits inside and outside driver) (10 Pack)		5448200010
		Actuator Button Spring (10 Pack)		5451400010
		Product Documentation Kit		PKG3052
		Best Equivalent Removable Core Cylinder (Sold international only, not available for U.S.)	Bright Brass	2014840301
		Best Equivalent Removable Core Cylinder (Sold international only, not available for U.S.)	Antique Brass	2014840501
		Best Equivalent Removable Core Cylinder (Sold international only, not available for U.S.)	Satin Chrome	20148426D01
		5010 Series Exit Trim Wooden Demo Mount		20305600041

Notes:

- For kit items that show additional reference #s in parentheses, the quantity required for 1 lock is included in kit.
- Lubriplate Aero grease is the "only" lubricant that should be used.
- Parts availability may be limited on older component parts no longer used in production units.

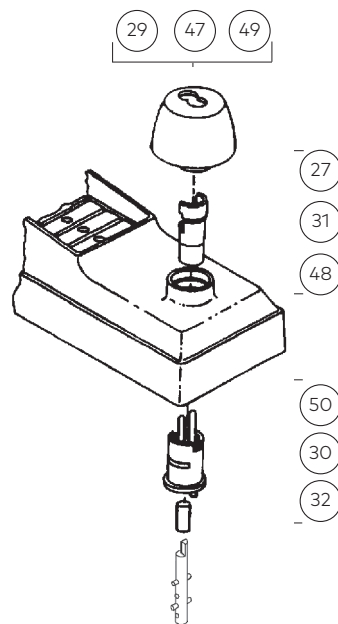


Simplex 1000 Series



Key Override Models

Medeco/ASSA/Yale/Schlage

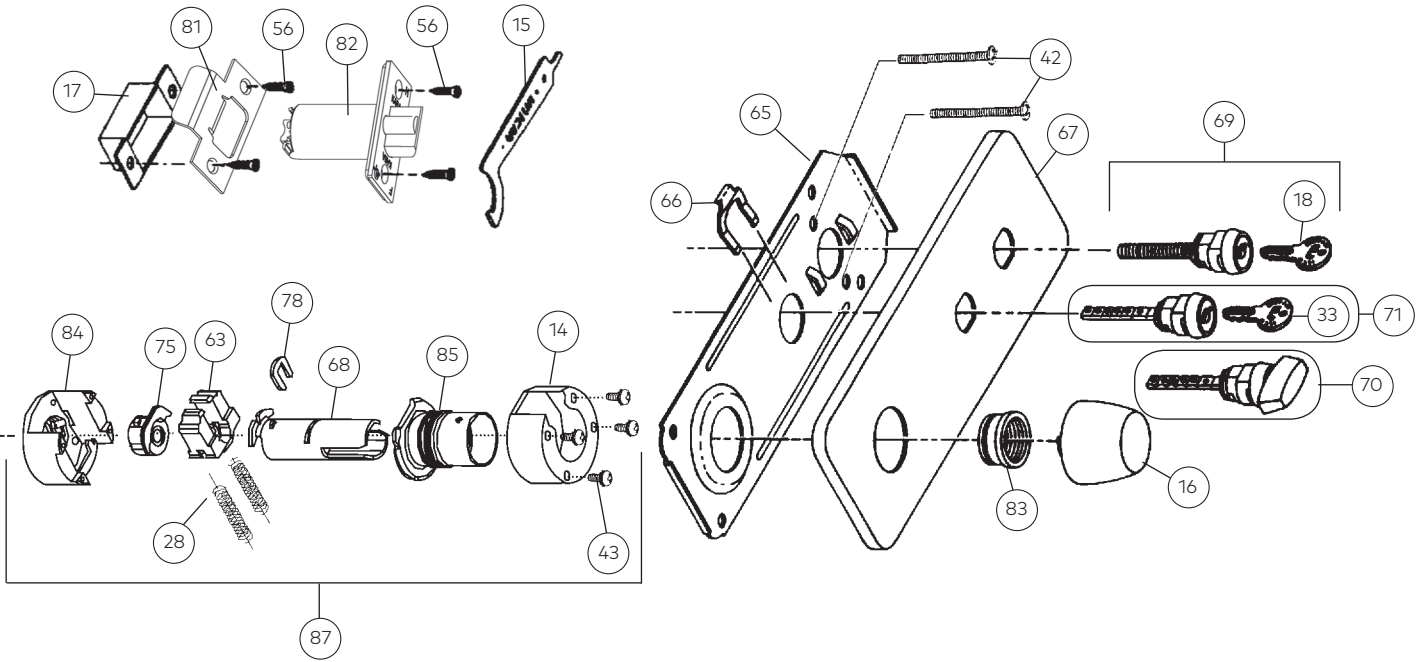


Key Override Models

Best & Equivalents Corbin/
Russwin/Sargent

Note: Older model locks used knob insert (27, 31, 48) to the right. Current production is more represented by model on left.

Simplex 1000 Series



See Page 6 for
How to Order instructions

1000 Series Service Kit



Clutch Assembly



K/O Drive Shaft



Standard
Drive Shaft



Combination
Chamber



Knob Return Spring



Chamber Shaft Bushing



Stop Plate

Item	Part Number
1000 Series Service Kit	203035-000-01
• Chamber Shaft Bushing	
• Clutch Assembly	
• Combination Chamber	
• Drive Shaft (No Key Override)	
• Drive Shaft (Key Override)	
• Knob Return Spring	
• Stop Plate	



Simplex 1000 Series

Item	Qty/Lock	Description	Finish	Part Number
1	1	Combination Chamber M-56 / M-63 (Old # 201429-000-01)		7436600001
2	5	Pushbuttons (10 Pack)	Black	20002410610
		Pushbuttons (10 Pack)	Silver	20002410910
3	1	Shaft Bushing (5 Pack)		20002600005
6	1	Clutch Cover Assembly		20100900001
7	1	Balance Spring - Clutch Spring Kit (Includes 1 ea. #7, #8)		20101600001
8	1	Double Wave Spring - Clutch Spring Kit (Includes 1 ea. #7, #8) (Replaced 201018-000-01)		20101600001
9	1	Knob Return Spring - Knob Return Spring Kit (Includes 1 ea. #9, #11)		20104000001
11	1	Stop Plate Assembly - Knob Return Spring Kit (Includes 1 ea. #9, #11)		20104000001
12	1	Front Housing	Satin Chrome	20104926D01
		Front Housing	Bright Chrome	20104902601
		Front Housing	Bright Brass	2010490301
		Front Housing	Antique Brass	2010490501
13	1	Drive Shaft Shaft Assembly for Non Key Override		20105000001
14	1	Shoe Housing Cover		20127700001
15	1	Installation Wrench (spanner wrench) - Code Change Tool Kit (Includes 1 ea. #15, #18)		20127800001
16	1	Knob Assembly - No Key Override (Includes spacer) (Old number 201284)	Satin Chrome	3426426D01
		Knob Assembly - No Key Override (Includes spacer) (Old number 201284)	Bright Chrome	3426402601
		Knob Assembly - No Key Override (Includes spacer) (Old number 201284)	Bright Brass	342640301
		Knob Assembly - No Key Override (Includes spacer) (Old number 201284)	Antique Brass	342640501
17	1	Strike Box (Old Number 55068-000-01)		20128700001
18	1	DF-59 Key - Code Change Tool Kit (Includes 1 ea. #15, #18) (Includes 1 ea. #15, #18)		20127800001
19	1	Clutch Backing Plate		20130400001
20	1	Combination Change Stud - Combination Change Actuator Kit (Includes 1 ea. #20, #21, #26, #40)		20133600001
21	1	Combination Change Sleeve - Combination Change Actuator Kit (Includes 1 ea. #20, #21, #26, #40)		20133600001
22	1	Retainer Clip (For Front Knob) (5 Pack)		20134300005
23	1	Chamber Release - Passage Kit (For models with passage set) (Includes 1 ea. #23, #24, #25, #40)		20182500001
24	1	Chamber Release Cam - Passage Kit (For models with passage set) (Includes 1 ea. #23, #24, #25, #40)		20182500001
25	1	Actuator Stud - Passage Kit (For models with passage set) (Includes 1 ea. #23, #24, #25, #40)		20182500001
26	1	Combination Change Sleeve Washer - Combination Change Actuator Kit (Includes 1 ea. #20, #21, #26, #40)		20133600001
27	1	Knob Insert (Also fits Falcon / Arrow / Eagle / KSP / Lloyd Matheson) (used with 201382 ONLY)		20136500001
28	2	Shoe Spring (For Cylindrical Drive Unit) (10 Pack)		20136600010
29	1	Best Knob Key Override Assembly - (Also fits Falcon / Arrow / Eagle / KSP / Lloyd Matheson) Removable core not included (Old number 201382-000-01) (Knob Insert not Required)	Satin Chrome	3426326D01

Simplex 1000 Series



Simplex

Item	Qty/Lock	Description	Finish	Part Number
29	1	Best Knob Key Override Assembly - (Also fits Falcon / Arrow / Eagle / KSP / Lloyd Matheson) Removable core not included (Old number 201382-000-01) (Knob Insert not Required)	Bright Chrome	3426302601
		Best Knob Key Override Assembly - (Also fits Falcon / Arrow / Eagle / KSP / Lloyd Matheson) Removable core not included (Old number 201382-000-01) (Knob Insert not Required)	Bright Brass	342630301
		Best Knob Key Override Assembly - (Also fits Falcon / Arrow / Eagle / KSP / Lloyd Matheson) Removable core not included (Old number 201382-000-01) (Knob Insert not Required)	Antique Brass	342630501
30	1	Best Drive Sleeve Assembly (Also fits Falcon / Arrow / Eagle / KSP / Lloyd Matheson) (Includes 1 ea. #22, #30)		20139100001
31	1	Corbin / Russwin Knob Insert (used with 201523 ONLY)		20141400001
32	1	Corbin / Russwin Drive Sleeve Assembly (Includes 1 ea. #22, #30)		20142100001
33	1	Key DF-5 (For Models with passage set) (2 Pack)		20142200002
34	1	Shaft Self-aligning Bushing (For Models 1021 & 1041)		20142500001
35	1	Clutch Sub-Assembly (Includes 1 ea. #7, #8, #35)		20143000001
38	1	Roll Pin (Upper Pin) 0.100" (2.5 mm) dia. (Includes 1 ea. #38, #57; 2 ea. #42, #86; 4 ea. #44, #45, #56, #79)	Satin Chrome	20421026D01
		Roll Pin (Upper Pin) 0.100" (2.5 mm) dia. (Includes 1 ea. #38, #57; 2 ea. #42, #86; 4 ea. #44, #45, #56, #79)	Bright Chrome	2042100301
		Roll Pin (Upper Pin) 0.100" (2.5 mm) dia. (Includes 1 ea. #38, #57; 2 ea. #42, #86; 4 ea. #44, #45, #56, #79)	Antique Brass	2042100501
39	1	Back Plate Sub-assembly (Includes 1 ea. #20, #21, #26, #37, #40)		20143900001
40	1	Retainer Ring 3/8" (9 mm) (For passage set and combination change sleeve) (10 Pack)		20144000010
42	2	Screw 8-32 x 2 1/2" (64 mm) (For mounting lock to door) (Includes 1 ea. #38, #57; 2 ea. #42, #86; 4 ea. #44, #45, #56, #79)	Satin Chrome	20421026D01
		Screw 8-32 x 2 1/2" (64 mm) (For mounting lock to door) (Includes 1 ea. #38, #57; 2 ea. #42, #86; 4 ea. #44, #45, #56, #79)	Bright Brass	2042100301
		Screw 8-32 x 2 1/2" (64 mm) (For mounting lock to door) (Includes 1 ea. #38, #57; 2 ea. #42, #86; 4 ea. #44, #45, #56, #79)	Antique Brass	2042100501
43	4	Sems Screw Phillips 6-32 x 1/4" (6 mm) R.H.M.S. (For shoe housing cover)		20144600010
44	4	Sems Screw Phillips 8-32 x 7/16" (11 mm) R.H.M.S. (For spacer) (Includes 1 ea. #38, #57; 2 ea. #42, #86; 4 ea. #44, #45, #56, #79)	Satin Chrome	20421026D01
		Sems Screw Phillips 8-32 x 7/16" (11 mm) R.H.M.S. (For spacer) (Includes 1 ea. #38, #57; 2 ea. #42, #86; 4 ea. #44, #45, #56, #79)	Bright Brass	2042100301
		Sems Screw Phillips 8-32 x 7/16" (11 mm) R.H.M.S. (For spacer) (Includes 1 ea. #38, #57; 2 ea. #42, #86; 4 ea. #44, #45, #56, #79)	Antique Brass	2042100501
45	4	Sems Screw, Phillips 8-32 x 11/16" (17 mm) R.H.M.S. (For spacer) (Includes 1 ea. #38, #57; 2 ea. #42, #86; 4 ea. #44, #45, #56, #79)	Satin Chrome	20421026D01
		Sems Screw, Phillips 8-32 x 11/16" (17 mm) R.H.M.S. (For spacer) (Includes 1 ea. #38, #57; 2 ea. #42, #86; 4 ea. #44, #45, #56, #79)	Bright Brass	2042100301
		Sems Screw, Phillips 8-32 x 11/16" (17 mm) R.H.M.S. (For spacer) (Includes 1 ea. #38, #57; 2 ea. #42, #86; 4 ea. #44, #45, #56, #79)	Antique Brass	2042100501
46	1	Drive Sleeve Assembly - No Key Override (Old # 201062-045-01) (Includes 1 ea. #22, #46)		20149900001
47	1	Corbin / Russwin Knob Key Override Assembly Removable core not included (Old #201523) (Includes Spacer) (Knob Insert not Required)	Satin Chrome	3426526D01
		Corbin / Russwin Knob Key Override Assembly Removable core not included (Old #201523) (Includes Spacer) (Knob Insert not Required)	Bright Chrome	3426502601



Simplex 1000 Series

Item	Qty/Lock	Description	Finish	Part Number
47	1	Corbin / Russwin Knob Key Override Assembly Removable core not included (Old #201523) (Includes Spacer) (Knob Insert not Required)	Bright Brass	342650301
		Corbin / Russwin Knob Key Override Assembly Removable core not included (Old #201523) (Includes Spacer) (Knob Insert not Required)	Antique Brass	342650501
48	1	Sargent Knob Insert (used with 201526 ONLY)		20152400001
49	1	Sargent Knob Key Override Assembly (Old #201526) Removable core not included (Includes Spacer) (Knob Insert not Required)	Satin Chrome	3426626D01
		Sargent Knob Key Override Assembly (Old #201526) Removable core not included (Includes Spacer) (Knob Insert not Required)	Bright Chrome	3426602601
		Sargent Knob Key Override Assembly (Old #201526) Removable core not included (Includes Spacer) (Knob Insert not Required)	Bright Brass	342660301
		Sargent Knob Key Override Assembly (Old #201526) Removable core not included (Includes Spacer) (Knob Insert not Required)	Antique Brass	342660501
50	1	Sargent Drive Sleeve Assembly (Includes 1 ea. #22, #50)		20153000001
51	1	Drive Shaft Assembly for Key Override (Old #201267-045-01)		20154700001
52	1	Medeco / ASSA / Yale Drive Sleeve Assembly (Use spacer # 201569 and #203054 for 5-6pin Medeco / ASSA cylinders) (Includes 1 ea. #22, #52)		20154800001
53	1	Medeco / ASSA / Yale Knob Key Override Assembly. Removable core not included. (Use spacer #201569 and #203054 for 5-6pin Medeco / ASSA cylinders) (old # 201517)	Satin Chrome	3426826D01
		Medeco / ASSA / Yale Knob Key Override Assembly. Removable core not included. (Use spacer #201569 and #203054 for 5-6pin Medeco / ASSA cylinders) (old # 201517)	Bright Chrome	3426802601
		Medeco / ASSA / Yale Knob Key Override Assembly. Removable core not included. (Use spacer #201569 and #203054 for 5-6pin Medeco / ASSA cylinders) (old # 201517)	Bright Brass	342680301
		Medeco / ASSA / Yale Knob Key Override Assembly. Removable core not included. (Use spacer #201569 and #203054 for 5-6pin Medeco / ASSA cylinders) (old # 201517)	Antique Brass	342680501
54	1	Schlage Drive Sleeve Assembly (Old # 201559-045-01) (Includes 1 ea. #22, #54)		20155500001
55	1	Schlage Knob Key Override Assembly. Removable core not included	Satin Chrome	3426726D01
		Schlage Knob Key Override Assembly. Removable core not included	Bright Chrome	3426702601
		Schlage Knob Key Override Assembly. Removable core not included	Bright Brass	342670301
		Schlage Knob Key Override Assembly. Removable core not included	Antique Brass	342670501
56	4	Combination Screw; Phillips 8-32 x 3/4" (19 mm) (For Latch & Strike Plate) (10 Pack)	Satin Chrome	20156526D10
		Combination Screw; Phillips 8-32 x 3/4" (19 mm) (For Latch & Strike Plate) (10 Pack)	Bright Brass	2015650310
		Combination Screw; Phillips 8-32 x 3/4" (19 mm) (For Latch & Strike Plate) (10 Pack)	Antique Brass	2015650510
57	1	Rubber Bumper (For Door Frame) (Self adhesive strip of 4) (5 Pack)		20156800005
58	1	Medeco Knob Spacer (For 5 and 6-pin Medeco / ASSA)		20156900001
62	1	ASSA Drive Sleeve Assembly (Includes 1 ea. #22, #62)		20160900001
63	1	Shoe (Old # 201272-000-01)		20172300001
64	1	Unified Trim Plate - Standard (Not shown in exploded view)	Satin Chrome	20173626D01
		Unified Trim Plate - Standard (Not shown in exploded view)	Bright Chrome	20173602601
		Unified Trim Plate - Standard (Not shown in exploded view)	Bright Brass	2017360301
		Unified Trim Plate - Standard (Not shown in exploded view)	Antique Brass	2017360501
65	1	Reinforcing Plate		20173800001

Simplex 1000 Series



Simplex

Item	Qty/Lock	Description	Finish	Part Number
66	1	Passage Spring Clip (10 Pack)		20174000010
67	1	Unified Trim Plate (For Passage set Models)	Satin Chrome	20174526D01
		Unified Trim Plate (For Passage set Models)	Bright Chrome	20174502601
		Unified Trim Plate (For Passage set Models)	Bright Brass	2017450301
		Unified Trim Plate (For Passage set Models)	Antique Brass	2017450501
68	1	Inside Drive Sleeve Assembly (Includes 1 ea. #68, #78) (Old #20127504501)		20178200001
69	1	Combination Change Plug Assembly with (2) DF59 keys	Satin Chrome	20178726D01
		Combination Change Plug Assembly with (2) DF59 keys	Bright Brass	2017870301
		Combination Change Plug Assembly with (2) DF59 keys	Antique Brass	2017870501
70	1	Passage Set Thumb Turn Plug Assembly	Satin Chrome	20180726D01
		Passage Set Thumb Turn Plug Assembly	Bright Brass	2018070301
		Passage Set Thumb Turn Plug Assembly	Antique Brass	2018070501
71	1	Passage Set Key Turn Plug Assembly (with (2) DF5 keys)	Satin Chrome	20181826D01
		Passage Set Key Turn Plug Assembly (with (2) DF5 keys)	Bright Brass	2018180301
		Passage Set Key Turn Plug Assembly (with (2) DF5 keys)	Antique Brass	2018180501
72	2	Sems Screw Phillips 6-32 x 7/16" (11 mm) R.H.M.S. (For clutch cover) (Includes 10 ea. #72, #73, #74)		6477600001
73	2	Sems Screw Phillips 6-32 x 5/16" (8 mm) R.H.M.S. (For combination chamber & clutch backing plate) (Includes 10 ea. #72, #73, #74) Screw Pack (10 ea. 6-32 x 3/8", 5/16", 7/16")		6477600001
74	6	Screw - Phillips 6-32 x 3/8" (10 mm) F.H.M.S. (For back plate) (Replaces 201444-022-10) (Includes 10 ea. #72, #73, #74) Screw Pack (10 ea. 6-32 x 3/8", 5/16", 7/16")		6477600001
75	1	Drive Insert (Old # 201218-000-01)		20401500001
78	1	Retainer Clip (For Inside Knob) (5 Pack)		20412000005
79	4	Sems Screw Phillips 8-32 x 5/16" (5 mm) R.H.M.S. (For spacer) (Old # 201449) (Includes 1 ea. #38, #57; 2 ea. #42, #86; 4 ea. #44, #45, #56, #79)	Satin Chrome	20421026D01
		Sems Screw Phillips 8-32 x 5/16" (5 mm) R.H.M.S. (For spacer) (Old # 201449) (Includes 1 ea. #38, #57; 2 ea. #42, #86; 4 ea. #44, #45, #56, #79)	Bright Brass	2042100301
		Sems Screw Phillips 8-32 x 5/16" (5 mm) R.H.M.S. (For spacer) (Old # 201449) (Includes 1 ea. #38, #57; 2 ea. #42, #86; 4 ea. #44, #45, #56, #79)	Antique Brass	2042100501
80	1	Spacer (Passage Feature for 1031/1041 Models) (Not shown in exploded view) (10 Pack)		20416000010
81	1	Standard "T" Strike Plate (Old # 201288 or 204167)	Satin Chrome	20422726D01
		Standard "T" Strike Plate (Old # 201288 or 204167)	Bright Brass	2042270301
		Standard "T" Strike Plate (Old # 201288 or 204167)	Antique Brass	2042270501
		Standard "T" Strike Plate (Old # 201288 or 204167)	Bright Chrome	20422702601
		ASA Strike (For 4 7/8" (105 mm) long cutout) (Old # 201413 or 1000-15-26D)	Satin Chrome	20411926D01
		ASA Strike (For 4 7/8" (105 mm) long cutout) (Old # 201413 or 1000-15-03)	Bright Brass	2041190301
		ASA Strike (For 4 7/8" (105 mm) long cutout) (Old # 201413 or 1000-15-05)	Antique Brass	2041190501
82	1	1/2" (13 mm) Floating Front Throw Latch 2 3/4" (70 mm) Backset	Satin Chrome	20416826D01
		1/2" (13 mm) Floating Front Throw Latch 2 3/4" (70 mm) Backset	Bright Brass	2041680301
		1/2" (13 mm) Floating Front Throw Latch 2 3/4" (70 mm) Backset	Antique Brass	2041680501



Simplex 1000 Series

Item	Qty/Lock	Description	Finish	Part Number
82	1	3/4" (19mm) Brass Latch - carries 3-hour UL/ULC fire rating for "A" labeled doors. 2 3/4" (70 mm) backset. Beveled front.	Bright Brass	2011440301
		3/4" (19mm) Brass Latch - carries 3-hour UL/ULC fire rating for "A" labeled doors. 2 3/4" (70 mm) backset. Beveled front.	Antique Brass	2011440501
		3/4" (19mm) Brass Latch - carries 3-hour UL/ULC fire rating for "A" labeled doors. 2 3/4" (70 mm) backset. Beveled front.	Satin Chrome	20114426D01
		Latch 1/2" Floating Face, 2 3/8" Backset - 3 Hour Fire Rated (Includes Screws)	Satin Chrome	751852601
		Latch 1/2" Floating Face, 2 3/8" Backset - 3 Hour Fire Rated (Includes Screws)	Bright Brass	751850301
		Latch 1/2" Floating Face, 2 3/8" Backset - 3 Hour Fire Rated (Includes Screws)	Antique Brass	751850501
83	1	Thread Ring (Old #201282)	Satin Chrome	20416926D01
		Thread Ring (Old #201282)	Bright Brass	2041690301
		Thread Ring (Old #201282)	Antique Brass	2041690501
84	1	Shoe Retainer and Bridge Assembly		20419900001
85	1	Shoe Retainer Cap Assembly	Satin Chrome	20420026D01
		Shoe Retainer Cap Assembly	Bright Chrome	20420002601
		Shoe Retainer Cap Assembly	Bright Brass	2042000301
		Shoe Retainer Cap Assembly	Antique Brass	2042000501
86	1	1/4" Spacer, Door Thickness Kit (Includes 1 ea. #38, #57; 2 ea. #42, #86; 4 ea. #44, #45, #56, #79)	Satin Chrome	20421026D01
		1/4" Spacer, Door Thickness Kit (Includes 1 ea. #38, #57; 2 ea. #42, #86; 4 ea. #44, #45, #56, #79)	Bright Brass	2042100301
		1/4" Spacer, Door Thickness Kit (Includes 1 ea. #38, #57; 2 ea. #42, #86; 4 ea. #44, #45, #56, #79)	Antique Brass	2042100501
87	1	Cylindrical Drive Unit Assembly (Includes 1 ea. #14, #63, #68, #75, #78, #84, #85; 2 ea. #28; 4 ea. #43)	Satin Chrome	20420226D01
		Cylindrical Drive Unit Assembly (Includes 1 ea. #14, #63, #68, #75, #78, #84, #85; 2 ea. #28; 4 ea. #43)	Bright Chrome	20420202601
		Cylindrical Drive Unit Assembly (Includes 1 ea. #14, #63, #68, #75, #78, #84, #85; 2 ea. #28; 4 ea. #43)	Bright Brass	2042020301
		Cylindrical Drive Unit Assembly (Includes 1 ea. #14, #63, #68, #75, #78, #84, #85; 2 ea. #28; 4 ea. #43)	Antique Brass	2042020501
88	1	Back Plate Assembly (Includes 1 ea. #39, #86, #87; 4 ea. #44) (Not shown in exploded view)	Satin Chrome	20420326D01
		Back Plate Assembly (Includes 1 ea. #39, #86, #87; 4 ea. #44) (Not shown in exploded view)	Bright Brass	2042030301
		Back Plate Assembly (Includes 1 ea. #39, #86, #87; 4 ea. #44) (Not shown in exploded view)	Antique Brass	2042030501
89	1	Screw Pack (Includes 1 ea. #38, #57; 2 ea. #42, #86; 4 ea. #44, #45, #56, #79) (Not shown in exploded view)	Satin Chrome	20421026D01
		Screw Pack (Includes 1 ea. #38, #57; 2 ea. #42, #86; 4 ea. #44, #45, #56, #79) (Not shown in exploded view)	Bright Brass	2042100301
		Screw Pack (Includes 1 ea. #38, #57; 2 ea. #42, #86; 4 ea. #44, #45, #56, #79) (Not shown in exploded view)	Antique Brass	2042100501
90	1	Installation Hardware Kit (Includes 1 ea. #15, #17, #69, #81, #83, #89; 2 ea. #86) (Not shown in exploded view)	Satin Chrome	20421126D11
		Installation Hardware Kit (Includes 1 ea. #15, #17, #69, #81, #83, #89; 2 ea. #86) (Not shown in exploded view)	Bright Brass	2042110311
		Installation Hardware Kit (Includes 1 ea. #15, #17, #69, #81, #83, #89; 2 ea. #86) (Not shown in exploded view)	Antique Brass	2042110511

Simplex 1000 Series



Additional Kits & Accessories	Finish	Part Number
Rubber Knob Insert Kit for Die Cast Knobs		6479200001
Lubriplate Aero Grease Tubes		6475400001
Best Key Override Spacer (not shown)		3800-00-3007
Sargent Key Override Spacer (not shown)		20402800001
Corbin-Russwin Key Override Spacer (not shown)		20402900001
Best Equivalent Removable Core Cylinder (Sold international only, not available for U.S.)	Bright Brass	2014840301
Best Equivalent Removable Core Cylinder (Sold international only, not available for U.S.)	Antique Brass	2014840501
Best Equivalent Removable Core Cylinder (Sold international only, not available for U.S.)	Satin Chrome	20148426D01
Wrap Plate, 10.5" (267mm) x 5" (127mm)	Satin Chrome	20423126D41
Wrap Plate, 10.5" (267mm) x 5" (127mm)	Bright Brass	2042310341
Wrap Plate, 10.5" (267mm) x 5" (127mm)	Antique Brass	2042310541
Wrap Plate, 15" (381mm) x 5" (127mm)	Satin Chrome	20423226D41
Wrap Plate, 15" (381mm) x 5" (127mm)	Bright Brass	2042320341
Wrap Plate, 15" (381mm) x 5" (127mm)	Antique Brass	2042320541
Anti-Spy Shield (1000/L1000 Series)	Black	20160008301
Weather Cover (1000/L1000/5000/E5000)	Smoke	5464400041
Latch Extension Assembly - Converts to 3 3/4" (95mm) backset		20402200001
Latch Extension Assembly - Converts to 5" (130mm) backset		20402300001
Installation Jig (for use with 5000/1000/L1000/E5000)		6468426D01
Simplex 1000/L1000 Cylindrical Wood Demo Mount (lock not included)		20304400041
3/4" (19 mm) Flat Front Latch - carries 3-hour UL/ULC fire rating for "A" labeled doors. 2 3/4" (70 mm) backset	Bright Brass	2016050301
3/4" (19 mm) Flat Front Latch - carries 3-hour UL/ULC fire rating for "A" labeled doors. 2 3/4" (70 mm) backset	Antique Brass	2016050501
3/4" (19 mm) Flat Front Latch - carries 3-hour UL/ULC fire rating for "A" labeled doors. 2 3/4" (70 mm) backset	Satin Chrome	20160526D01
ASA Roller Strike (For 4 7/8" (105 mm) long cutout)(old #1000-14-03)	Bright Brass	2018210301
ASA Roller Strike (For 4 7/8" (105 mm) long cutout)(old #1000-14-05)	Antique Brass	2018210501
ASA Roller Strike (For 4 7/8" (105 mm) long cutout)(old #1000-14-26D)	Satin Chrome	20182126D01
3/4" (19 mm) Brass Latch - carries 3-hour UL/ULC fire rating for "A" labeled doors. 2 3/4" (70 mm) backset. Beveled front. (For L1076 privacy Model only)	Bright Brass	2040040301
3/4" (19 mm) Brass Latch - carries 3-hour UL/ULC fire rating for "A" labeled doors. 2 3/4" (70 mm) backset. Beveled front. (For L1076 privacy Model only)	Antique Brass	2040040501
3/4" (19 mm) Brass Latch - carries 3-hour UL/ULC fire rating for "A" labeled doors. 2 3/4" (70 mm) backset. Beveled front. (For L1076 privacy Model only)	Satin Chrome	20400426D01
1/2" (13 mm) Brass Latch - carries 3-hour UL/ULC fire rating for "A" labeled doors. 2 3/4" (70 mm) backset. Fixed beveled front face.	Satin Chrome	5507126D01
1/2" (13 mm) Brass Latch - carries 3-hour UL/ULC fire rating for "A" labeled doors. 2 3/4" (70 mm) backset. Fixed beveled front face.	Bright Brass	550710301
1/2" (13 mm) Brass Latch - carries 3-hour UL/ULC fire rating for "A" labeled doors. 2 3/4" (70 mm) backset. Fixed beveled front face.	Antique Brass	550710501

Notes:

- Removable core cylinders are not included. Best equivalent core is available – see above.
- Lubriplate Aero grease is the "only" lubricant that should be used.



Simplex 1000 Series

Knob Conversion Assembly	Finish	Part Number
Corbin / Russwin Conversion Assembly (C) (Includes 1 ea. #22, #32, #34, #47, #51)	Satin Chrome	20141726D01
Corbin / Russwin Conversion Assembly (C) (Includes 1 ea. #22, #32, #34, #47, #51)	Bright Chrome	20141702601
Corbin / Russwin Conversion Assembly (C) (Includes 1 ea. #22, #32, #34, #47, #51)	Bright Brass	2014170301
Corbin / Russwin Conversion Assembly (C) (Includes 1 ea. #22, #32, #34, #47, #51)	Antique Brass	2014170501
Best / Falcon / Arrow / Eagle / KSP / Lloyd Matheson Conversion Assembly (B) (Includes 1 ea. #22, #29, #30, #34, #51)	Satin Chrome	20149026D01
Best / Falcon / Arrow / Eagle / KSP / Lloyd Matheson Conversion Assembly (B) (Includes 1 ea. #22, #29, #30, #34, #51)	Bright Chrome	20149002601
Best / Falcon / Arrow / Eagle / KSP / Lloyd Matheson Conversion Assembly (B) (Includes 1 ea. #22, #29, #30, #34, #51)	Bright Brass	2014900301
Best / Falcon / Arrow / Eagle / KSP / Lloyd Matheson Conversion Assembly (B) (Includes 1 ea. #22, #29, #30, #34, #51)	Antique Brass	2014900501
ASSA / Medeco / Yale Conversion Assembly-Request Spacer 201569 for 5-pin Medeco. (M) (Includes 1 ea. #22, #34, #51, #52, #53)	Satin Chrome	20151926D01
ASSA / Medeco / Yale Conversion Assembly-Request Spacer 201569 for 5-pin Medeco. (M) (Includes 1 ea. #22, #34, #51, #52, #53)	Bright Chrome	20151902601
ASSA / Medeco / Yale Conversion Assembly-Request Spacer 201569 for 5-pin Medeco. (M) (Includes 1 ea. #22, #34, #51, #52, #53)	Bright Brass	2015190301
ASSA / Medeco / Yale Conversion Assembly-Request Spacer 201569 for 5-pin Medeco. (M) (Includes 1 ea. #22, #34, #51, #52, #53)	Antique Brass	2015190501
Sargent Conversion Assembly (R) (Includes 1 ea. #22, #34, #49, #50, #51)	Satin Chrome	20153226D01
Sargent Conversion Assembly (R) (Includes 1 ea. #22, #34, #49, #50, #51)	Bright Chrome	20153202601
Sargent Conversion Assembly (R) (Includes 1 ea. #22, #34, #49, #50, #51)	Bright Brass	2015320301
Sargent Conversion Assembly (R) (Includes 1 ea. #22, #34, #49, #50, #51)	Antique Brass	2015320501
Schlage Conversion Assembly (S) (Includes 1 ea. #22, #34 #51, #54, #55)	Satin Chrome	20155826D01
Schlage Conversion Assembly (S) (Includes 1 ea. #22, #34 #51, #54, #55)	Bright Chrome	20155802601
Schlage Conversion Assembly (S) (Includes 1 ea. #22, #34 #51, #54, #55)	Bright Brass	2015580301
Schlage Conversion Assembly (S) (Includes 1 ea. #22, #34 #51, #54, #55)	Antique Brass	2015580501

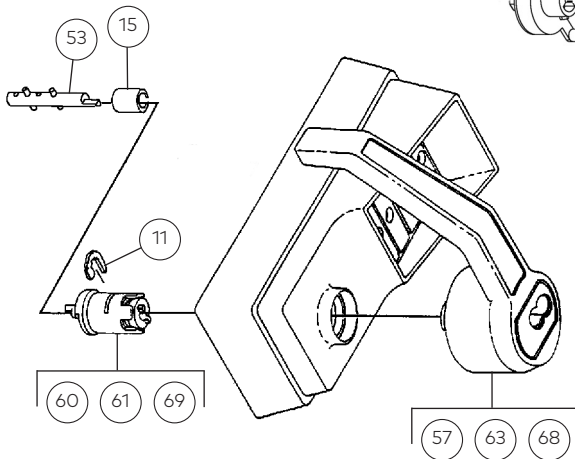
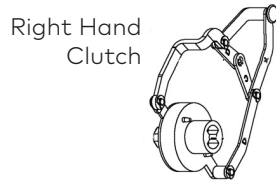
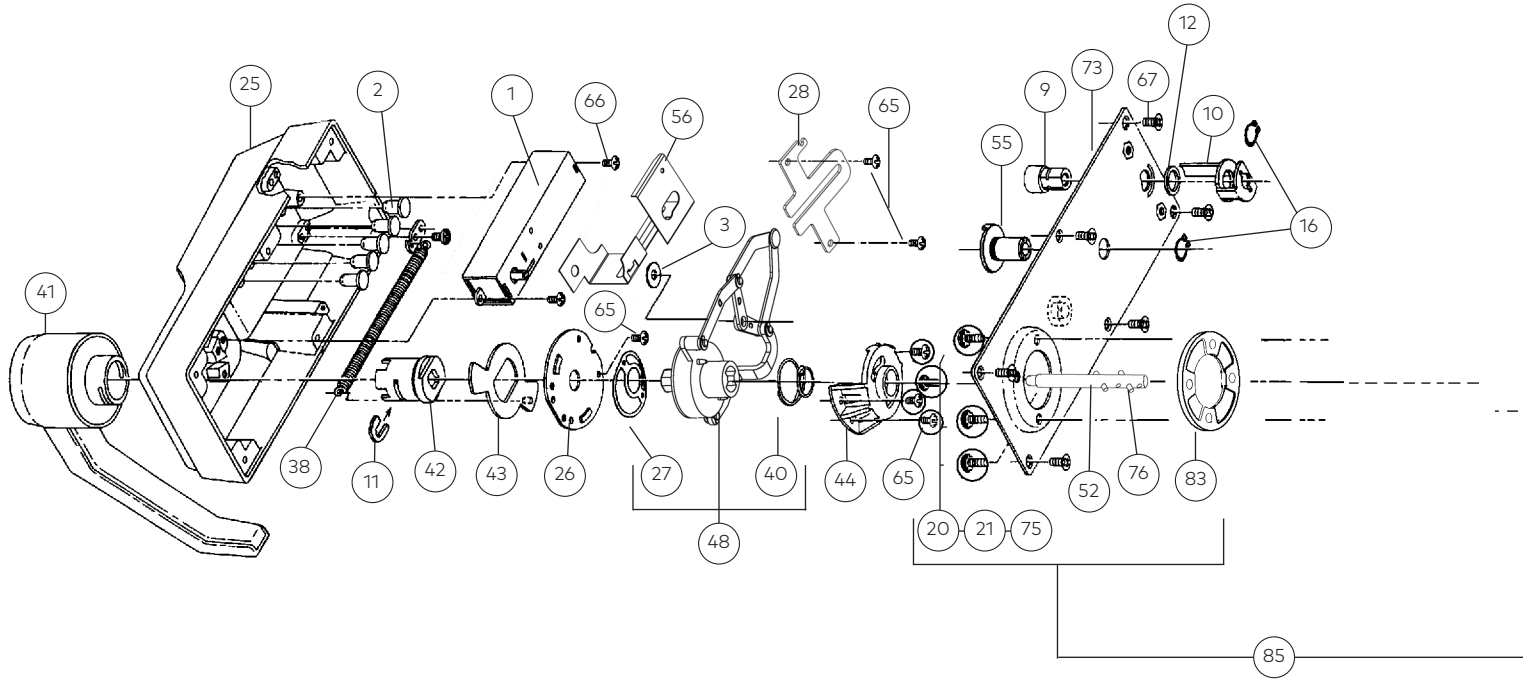
Use these conversion assemblies to convert an existing 1000 Series lock from standard to key override, or from one key override to another.

Time Mode Option Parts	Finish	Part Number
Pneumatic Timer with Microswitch		20021000001
Modified Chamber Link		20157500001
Pneumatic Timer without Microswitch		20157700001
Spacer		20157800001
Modified Cover Plate Assembly		20158000001

Parts availability may be limited on older component parts no longer used in production units.

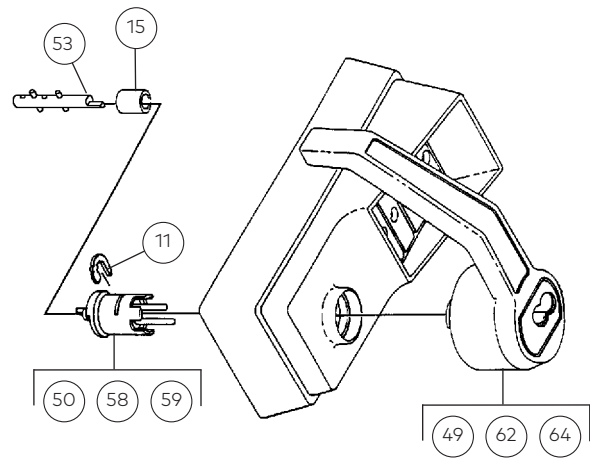


Simplex L1000 Series



Key Override Models

Medeco/ASSA/Yale/Schlage



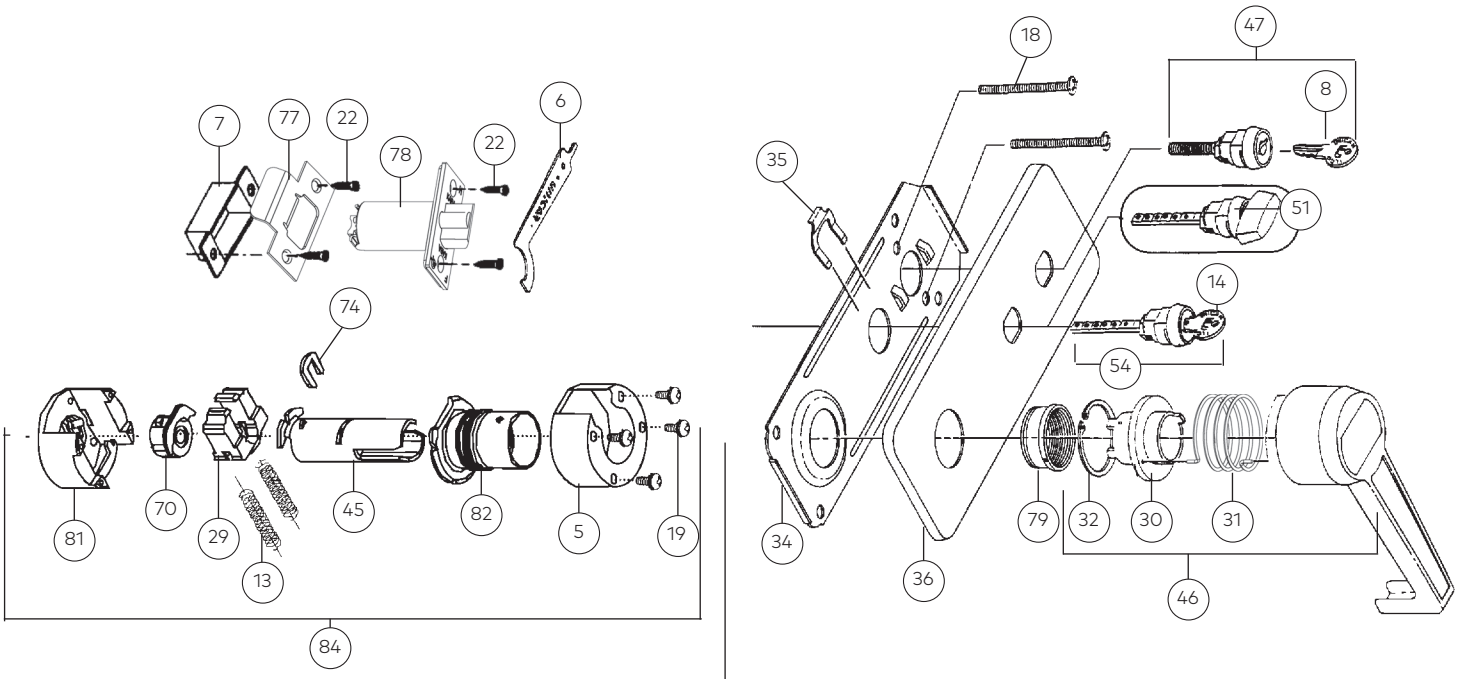
Key Override Models

Best & Equivalents Corbin/
Russwin/Sargent

Note: Older model locks used knob insert (27, 31, 48) to the right. Current production is more represented by model on left.

Simplex

L1000 Series



See Page 6 for
How to Order instructions

L1000 Series Service Kit

Left Hand Kit Shown



LH Clutch Assembly



Fixed Sleeve



Combination Chamber



K/O Drive Shaft



Standard Drive Shaft



Chamber Shaft Bushing



Lever Return Spring



LH Stop Plate

Item	Part Number
L1000 Series Service Kit (Left Hand)	203038-000-01
• LH Clutch Assembly	
• Fixed Sleeve	
• Combination Chamber	
• K/O Drive Shaft	
• Standard Drive Shaft	
• Lever Return Spring	
• Chamber Shaft Bushing	
• LH Stop Plate	

Item	Part Number
L1000 Series Service Kit (Right Hand)	203037-000-01
• RH Clutch Assembly	
• Fixed Sleeve	
• Combination Chamber	
• K/O Drive Shaft	
• Standard Drive Shaft	
• Lever Return Spring	
• Chamber Shaft Bushing	
• RH Stop Plate	



Simplex L1000 Series

Item	Qty/Lock	Description	Finish	Part Number
1	1	Combination Chamber (M-63/M-56) (Old # 201764-000-0)		7436600001
2	5	Pushbuttons (10 Pack)	Black	20002410610
		Pushbuttons (10 Pack)	Silver	20002410910
3	1	Bushing, Shaft (5 Pack)		20002600005
5	1	Cover for Shoe Housing		20127700001
6	1	Installation Wrench (spanner wrench) - Code Change Tool Kit (Includes 1 ea. #6, #8)		20127800001
7	1	Strike Box		20128700001
8	1	DF-59 Key - Code Change Tool Kit (Includes 1 ea. #6, #8)		20127800001
9	1	Combination Change Stud - Combination Change Actuator Kit (Includes 1 ea. #9, #10, #12, #16)		20133600001
10	1	Combination Change Sleeve - Combination Change Actuator Kit (Includes 1 ea. #9, #10, #12, #16)		20133600001
11	1	Front Knob Retainer Clip (5 Pack)		20134300005
12	1	Combination Change Sleeve Washer - Combination Change Actuator Kit (Includes 1 ea. #9, #10, #12, #16)		20133600001
13	2	Shoe Spring (For Cylindrical Drive Unit) (10 Pack)		20136600010
14	1	Key DF-5 (For Passage Set) (2 Pack)		20142200002
15	1	Shaft Self-Aligning Bushing (For Models 1021 & 1041)		20142500001
16	1	Retainer Ring 3/8" I.D. (10 Pack)		20144000010
18	2	Screw, 8-32 x 2 1/2" (For Mounting) (Includes 1 ea. #23, #76; 2 ea. #18, #83; 4 ea. #20, 21, #22, #75)	Satin Chrome	20421026D01
		Screw, 8-32 x 2 1/2" (For Mounting) (Includes 1 ea. #23, #76; 2 ea. #18, #83; 4 ea. #20, 21, #22, #75)	Bright Brass	2042100301
		Screw, 8-32 x 2 1/2" (For Mounting) (Includes 1 ea. #23, #76; 2 ea. #18, #83; 4 ea. #20, 21, #22, #75)	Antique Brass	2042100501
19	4	Sems Screw, Phillips 6-32 x 1/4" R.H.M.S. (For Shoe Housing Cover) (10 Pack)		20144600010
20	4	Sems Screw, Phillips 8-32 x 7/16" R.H.M.S. (For Spacer) (Includes 1 ea. #23, #76; 2 ea. #18, #83; 4 ea. #20, 21, #22, #75)	Satin Chrome	20421026D01
		Sems Screw, Phillips 8-32 x 7/16" R.H.M.S. (For Spacer) (Includes 1 ea. #23, #76; 2 ea. #18, #83; 4 ea. #20, 21, #22, #75)	Bright Brass	2042100301
		Sems Screw, Phillips 8-32 x 7/16" R.H.M.S. (For Spacer) (Includes 1 ea. #23, #76; 2 ea. #18, #83; 4 ea. #20, 21, #22, #75)	Antique Brass	2042100501
21	4	Sems Screw, Phillips 8-32 x 5/16" R.H.M.S. (For Spacer) (Includes 1 ea. #23, #76; 2 ea. #18, #83; 4 ea. #20, 21, #22, #75)	Satin Chrome	20421026D01
		Sems Screw, Phillips 8-32 x 5/16" R.H.M.S. (For Spacer) (Includes 1 ea. #23, #76; 2 ea. #18, #83; 4 ea. #20, 21, #22, #75)	Bright Brass	2042100301
		Sems Screw, Phillips 8-32 x 5/16" R.H.M.S. (For Spacer) (Includes 1 ea. #23, #76; 2 ea. #18, #83; 4 ea. #20, 21, #22, #75)	Antique Brass	2042100501
22	4	Combination Screw, Phillips 8-32 x 3/4" (For latch and strike plate) (10 Pack)	Satin Chrome	20156526D10
		Combination Screw, Phillips 8-32 x 3/4" (For latch and strike plate) (10 Pack)	Bright Brass	2015650310
		Combination Screw, Phillips 8-32 x 3/4" (For latch and strike plate) (10 Pack)	Antique Brass	2015650510
23	1	Rubber Bumper (For Door Frame) (Self Adhesive Strip of 4) (5 Pack)		20156800005
24	1	Spacer for Medeco 5 - 6 pin Medeco/ASSA		20156900001

*When ordering an outside lever assembly for older locks, it may be necessary to order a respective outside drive sleeve assembly. (See Conversion Assemblies)

Simplex

L1000 Series



Item	Qty/Lock	Description	Finish	Part Number
25	1	Front Lock Housing	Satin Chrome	20170026D01
		Front Lock Housing	Bright Chrome	20170002601
		Front Lock Housing	Bright Brass	2017000301
		Front Lock Housing	Antique Brass	2017000501
26	1	Clutch Backing Plate		20170800001
27	1	Double Wave Spring - Clutch Spring Kit (Includes 1 ea. #27, #40)		20176800001
28	1	Guide Bracket		20172100001
29	1	Retractor Shoe		20172300001
30	1	Inside Lever Fixed Sleeve - RH - Fixed Sleeve Kit (Includes 1 ea. #30, #31, #32)		20172700001
		Inside Lever Fixed Sleeve - LH - Fixed Sleeve Kit (Includes 1 ea. #30, #31, #32)		20173300001
31	1	Inside Lever Coil Return Spring - RH		20173000001
		Inside Lever Coil Return Spring - LH		20173200001
32	1	Inside Lever Fixed Sleeve Retainer Clip		20173400001
33	1	Unified Trim Plate - Standard (Not Shown on Exploded View)	Satin Chrome	20173626D01
		Unified Trim Plate - Standard (Not Shown on Exploded View)	Bright Chrome	20173602601
		Unified Trim Plate - Standard (Not Shown on Exploded View)	Bright Brass	2017360301
		Unified Trim Plate - Standard (Not Shown on Exploded View)	Antique Brass	2017360501
34	1	Reinforcing Plate		20173800001
35	1	Passage Spring Clip (10 Pack)		20174000010
36	1	Unified Trim Plate - Passage Set Model	Satin Chrome	20174526D01
		Unified Trim Plate - Passage Set Model	Bright Chrome	20174502601
		Unified Trim Plate - Passage Set Model	Bright Brass	2017450301
		Unified Trim Plate - Passage Set Model	Antique Brass	2017450501
38	1	Outside Lever Return Spring - Stop Plate Kit - RH (Includes 1 ea. #38, #43)		20177300001
		Outside Lever Return Spring - Stop Plate Kit - LH (Includes 1 ea. #38, #43)		20177400001
40	1	Balance Spring - Clutch Spring Kit (Includes 1 ea. #27, #40)		20176800001
41	1	Outside Lever Handle Assembly Non Key Override* - Right Handed	Satin Chrome	20177026D01
		Outside Lever Handle Assembly Non Key Override* - Right Handed	Bright Chrome	20177002601
		Outside Lever Handle Assembly Non Key Override* - Right Handed	Bright Brass	2017700301
		Outside Lever Handle Assembly Non Key Override* - Right Handed	Antique Brass	2017700501
		Outside Lever Handle Assembly Non Key Override* - Left Handed	Satin Chrome	20177126D01
		Outside Lever Handle Assembly Non Key Override* - Left Handed	Bright Chrome	20177102601
		Outside Lever Handle Assembly Non Key Override* - Left Handed	Bright Brass	2017710301
		Outside Lever Handle Assembly Non Key Override* - Left Handed	Antique Brass	2017710501
42	1	Outside Drive Sleeve Assembly Non Key Override (Includes 1 ea. #11, #42)		20177200001
43	1	Stop Plate - Stop Plate Kit - RH (Includes 1 ea. #38, #43)		20177300001
		Stop Plate - Stop Plate Kit - LH (Includes 1 ea. #38, #43)		20177400001
44	1	Clutch Cover Assembly - Right Handed		20178000001
		Clutch Cover Assembly - Left Handed		20178100001
45	1	Inside Drive Sleeve Assembly (Includes 1 ea. #45, #74)		20178200001
46	1	Inside Lever - Inside Lever Kit - RH (Includes 1 ea. #30, #31, #32, #46)	Satin Chrome	20178526D01
		Inside Lever - Inside Lever Kit - RH (Includes 1 ea. #30, #31, #32, #46)	Bright Chrome	20178502601

*When ordering an outside lever assembly for older locks, it may be necessary to order a respective outside drive sleeve assembly. (See Conversion Assemblies)



Simplex L1000 Series

Item	Qty/Lock	Description	Finish	Part Number
46	1	Inside Lever - Inside Lever Kit - RH (Includes 1 ea. #30, #31, #32, #46)	Bright Brass	2017850301
		Inside Lever - Inside Lever Kit - RH (Includes 1 ea. #30, #31, #32, #46)	Antique Brass	2017850501
		Inside Lever - Inside Lever Kit - LH (Includes 1 ea. #30, #31, #32, #46)	Satin Chrome	20178626D01
		Inside Lever - Inside Lever Kit - LH (Includes 1 ea. #30, #31, #32, #46)	Bright Chrome	20178602601
		Inside Lever - Inside Lever Kit - LH (Includes 1 ea. #30, #31, #32, #46)	Bright Brass	2017860301
		Inside Lever - Inside Lever Kit - LH (Includes 1 ea. #30, #31, #32, #46)	Antique Brass	2017860501
47	1	Combination Change Plug Assembly with (2) DF59 keys (Includes 2 ea. #8)	Satin Chrome	20178726D01
		Combination Change Plug Assembly with (2) DF59 keys (Includes 2 ea. #8)	Bright Brass	2017870301
		Combination Change Plug Assembly with (2) DF59 keys (Includes 2 ea. #8)	Antique Brass	2017870501
48	1	Clutch Assembly - RH (Includes 1 ea. #27, #40, #48)		20178800001
		Clutch Assembly - LH (Includes 1 ea. #27, #40, #48)		20178900001
49	1	Best Outside Lever Assembly* (Also fits Falcon / Arrow / Eagle & KSP / Lloyd Matheson Removable Core) - RH	Satin Chrome	20179026D01
		Best Outside Lever Assembly* (Also fits Falcon / Arrow / Eagle & KSP / Lloyd Matheson Removable Core) - RH	Bright Chrome	20179002601
		Best Outside Lever Assembly* (Also fits Falcon / Arrow / Eagle & KSP / Lloyd Matheson Removable Core) - RH	Bright Brass	2017900301
		Best Outside Lever Assembly* (Also fits Falcon / Arrow / Eagle & KSP / Lloyd Matheson Removable Core) - RH	Antique Brass	2017900501
		Best Outside Lever Assembly* (Also fits Falcon / Arrow / Eagle & KSP / Lloyd Matheson Removable Core) - LH	Satin Chrome	20179126D01
		Best Outside Lever Assembly* (Also fits Falcon / Arrow / Eagle & KSP / Lloyd Matheson Removable Core) - LH	Bright Chrome	20179102601
		Best Outside Lever Assembly* (Also fits Falcon / Arrow / Eagle & KSP / Lloyd Matheson Removable Core) - LH	Bright Brass	2017910301
		Best Outside Lever Assembly* (Also fits Falcon / Arrow / Eagle & KSP / Lloyd Matheson Removable Core) - LH	Antique Brass	2017910501
50	1	Best Outside Drive Sleeve Assembly (Also fits Falcon / Arrow / Eagle & KSP / Lloyd Matheson Removable Core) (Includes 1 ea. #11, #50)		20179200001
51	1	Passage Set Thumbturn Plug Assembly (Includes 1 ea. #35, #51)	Satin Chrome	20180726D01
		Passage Set Thumbturn Plug Assembly (Includes 1 ea. #35, #51)	Bright Brass	2018070301
		Passage Set Thumbturn Plug Assembly (Includes 1 ea. #35, #51)	Antique Brass	2018070501
52	1	Drive Shaft Assembly for Non Key Override (Standard)		20181200001
53	1	Drive Shaft Assembly for Key Override		20181300001
54	1	Passage Set Key Turn Plug Assembly with (2) DF-5 keys	Satin Chrome	20181826D01
		Passage Set Key Turn Plug Assembly with (2) DF-5 keys	Bright Brass	2018180301
		Passage Set Key Turn Plug Assembly with (2) DF-5 keys	Antique Brass	2018180501
55	1	Chamber Release Cam - Passage Kit (Includes 1 ea. #16, #55, #56) (For Passage Set)		20182500001
56	1	Chamber Release - Passage Kit (Includes 1 ea. #16, #55, #56) (For Passage Set)		20182500001
57	1	Schlage Outside Lever Assembly - RH	Satin Chrome	20182926D01
		Schlage Outside Lever Assembly - RH	Bright Chrome	20182902601
		Schlage Outside Lever Assembly - RH	Bright Brass	2018290301

*When ordering an outside lever assembly for older locks, it may be necessary to order a respective outside drive sleeve assembly. (See Conversion Assemblies)

Simplex

L1000 Series



Simplex

Item	Qty/Lock	Description	Finish	Part Number
57	1	Schlage Outside Lever Assembly - RH	Antique Brass	2018290501
		Schlage Outside Lever Assembly - LH	Satin Chrome	20183026D01
		Schlage Outside Lever Assembly - LH	Bright Chrome	20183002601
		Schlage Outside Lever Assembly - LH	Bright Brass	2018300301
		Schlage Outside Lever Assembly - LH	Antique Brass	2018300501
58	1	Sargent Outside Drive Sleeve Assembly (Includes 1 ea. #11, #58)		20183100001
59	1	Corbin / Russwin Outside Drive Sleeve Assembly (Includes 1 ea. #11, #59)		20183200001
60	1	Schlage Outside Drive Sleeve Assembly (Includes 1 ea. #11, #60)		20184000001
61	1	Medeco / ASSA / Yale Outside Drive Sleeve Assembly (Old ASSA #204010) (Includes 1 ea. #11, #61)		20184200001
62	1	Sargent Outside Lever Assembly - RH	Satin Chrome	20192526D01
		Sargent Outside Lever Assembly - RH	Bright Chrome	20192502601
		Sargent Outside Lever Assembly - RH	Bright Brass	2019250301
		Sargent Outside Lever Assembly - RH	Antique Brass	2019250501
		Sargent Outside Lever Assembly - LH	Satin Chrome	20192626D01
		Sargent Outside Lever Assembly - LH	Bright Chrome	20192602601
		Sargent Outside Lever Assembly - LH	Bright Brass	2019260301
		Sargent Outside Lever Assembly - LH	Antique Brass	2019260501
63	1	Medeco / ASSA / Yale Outside Lever Assembly (Old #s for ASSA 204008 RH, 204009 LH) RH	Satin Chrome	20192726D01
		Medeco / ASSA / Yale Outside Lever Assembly (Old #s for ASSA 204008 RH, 204009 LH) RH	Bright Chrome	20192702601
		Medeco / ASSA / Yale Outside Lever Assembly (Old #s for ASSA 204008 RH, 204009 LH) RH	Bright Brass	2019270301
		Medeco / ASSA / Yale Outside Lever Assembly (Old #s for ASSA 204008 RH, 204009 LH) RH	Antique Brass	2019270501
		Medeco / ASSA / Yale Outside Lever Assembly (Old #s for ASSA 204008 RH, 204009 LH) LH	Satin Chrome	20192826D01
		Medeco / ASSA / Yale Outside Lever Assembly (Old #s for ASSA 204008 RH, 204009 LH) LH	Bright Chrome	20192802601
		Medeco / ASSA / Yale Outside Lever Assembly (Old #s for ASSA 204008 RH, 204009 LH) LH	Bright Brass	2019280301
		Medeco / ASSA / Yale Outside Lever Assembly (Old #s for ASSA 204008 RH, 204009 LH) LH	Antique Brass	2019280501
64	1	Corbin / Russwin Outside Lever Assembly - RH	Satin Chrome	20192926D01
		Corbin / Russwin Outside Lever Assembly - RH	Bright Chrome	20192902601
		Corbin / Russwin Outside Lever Assembly - RH	Bright Brass	2019290301
		Corbin / Russwin Outside Lever Assembly - RH	Antique Brass	2019290501
		Corbin / Russwin Outside Lever Assembly - LH	Satin Chrome	20193026D01
		Corbin / Russwin Outside Lever Assembly - LH	Bright Chrome	20193002601
		Corbin / Russwin Outside Lever Assembly - LH	Bright Brass	2019300301
		Corbin / Russwin Outside Lever Assembly - LH	Antique Brass	2019300501
65	5	Sems Screw, Phillips 6-32 x 7/16" (11 mm) R.H.M.S. (For clutch cover, clutch backing plate, and guide bracket) (Old # 201448-022-10) (Includes 10 ea. #65, #66, #67) Screw Pack (10 ea. 6-32 x 3/8", 5/16", 7/16")		6477600001
66	2	Sems Screw, Phillips 6-32 x 5/16" (8 mm) R.H.M.S. (For comb. chamber) (Old # 201447-022-10) (Includes 10 ea. #65, #66, #67) Screw Pack (10 ea. 6-32 x 3/8", 5/16", 7/16")		6477600001

*When ordering an outside lever assembly for older locks, it may be necessary to order a respective outside drive sleeve assembly. (See Conversion Assemblies)



Simplex L1000 Series

Item	Qty/Lock	Description	Finish	Part Number
67	6	Screw Phillips 6-32 x 3/8" F.H.M.S. (For Back Plate) (Old # 201444-022-10) (Includes 10 ea. #65, #66, #67) Screw Pack (10 ea. 6-32 x 3/8", 5/16", 7/16")		6477600001
69	1	ASSA Outside Drive Sleeve Assembly (Includes 1 ea. #11, #69)		20401000001
70	1	Drive Insert		20401500001
74	1	Inside Knob Retainer Clip (Old # 201344) (5 Pack)		20412000005
75	4	Sems Screw, Phillips 8-32 x 5/16" R.H.M.S. (For spacer) (Old # 201449) (Includes 1 ea. #23, #76; 2 ea. #18, #83; 4 ea. #20, #21, #22, #75)	Satin Chrome	20421026D01
		Sems Screw, Phillips 8-32 x 5/16" R.H.M.S. (For spacer) (Old # 201449) (Includes 1 ea. #23, #76; 2 ea. #18, #83; 4 ea. #20, #21, #22, #75)	Bright Brass	2042100301
		Sems Screw, Phillips 8-32 x 5/16" R.H.M.S. (For spacer) (Old # 201449) (Includes 1 ea. #23, #76; 2 ea. #18, #83; 4 ea. #20, #21, #22, #75)	Antique Brass	2042100501
76	1	Cross Pin .100" (2.5 mm) x .500 (1.27 mm) long (Includes 1 ea. #23, #76; 2 ea. #18, #83; 4 ea. #20, #21, #22, #75)	Satin Chrome	20421026D01
		Cross Pin .100" (2.5 mm) x .500 (1.27 mm) long (Includes 1 ea. #23, #76; 2 ea. #18, #83; 4 ea. #20, #21, #22, #75)	Bright Brass	2042100301
		Cross Pin .100" (2.5 mm) x .500 (1.27 mm) long (Includes 1 ea. #23, #76; 2 ea. #18, #83; 4 ea. #20, #21, #22, #75)	Antique Brass	2042100501
77	1	Standard "T" Strike Plate (Old # 201288 or 204167)	Satin Chrome	20422726D01
		Standard "T" Strike Plate (Old # 201288 or 204167)	Bright Brass	2042270301
		Standard "T" Strike Plate (Old # 201288 or 204167)	Antique Brass	2042270501
		Standard "T" Strike Plate (Old # 201288 or 204167)	Bright Chrome	20422702601
		ASA Strike (For 4 7/8" (105 mm) long cutout) (Old # 201413 or 1000-15-26D)	Satin Chrome	20411926D01
		ASA Strike (For 4 7/8" (105 mm) long cutout) (Old # 201413 or 1000-15-03)	Bright Brass	2041190301
		ASA Strike (For 4 7/8" (105 mm) long cutout) (Old # 201413 or 1000-15-05)	Antique Brass	2041190501
78	1	1/2" (13 mm) Floating Front Throw Latch 2 3/4" (70 mm) Backset	Satin Chrome	20416826D01
		1/2" (13 mm) Floating Front Throw Latch 2 3/4" (70 mm) Backset	Bright Brass	2041680301
		1/2" (13 mm) Floating Front Throw Latch 2 3/4" (70 mm) Backset	Antique Brass	2041680501
		3/4" (19mm) Brass Latch - carries 3-hour UL/ULC fire rating for "A" labeled doors. 2 3/4" (70 mm) backset. Beveled front.	Satin Chrome	20114426D01
		3/4" (19mm) Brass Latch - carries 3-hour UL/ULC fire rating for "A" labeled doors. 2 3/4" (70 mm) backset. Beveled front.	Bright Brass	2011440301
		3/4" (19mm) Brass Latch - carries 3-hour UL/ULC fire rating for "A" labeled doors. 2 3/4" (70 mm) backset. Beveled front.	Antique Brass	2011440501
		Latch 1/2" Floating Face, 2 3/8" Backset - 3 Hour Fire Rated (Includes Screws)	Satin Chrome	7518526D01
		Latch 1/2" Floating Face, 2 3/8" Backset - 3 Hour Fire Rated (Includes Screws)	Bright Brass	751850301
		Latch 1/2" Floating Face, 2 3/8" Backset - 3 Hour Fire Rated (Includes Screws)	Antique Brass	751850501
79	1	Thread Ring	Satin Chrome	20416926D01
		Thread Ring	Bright Chrome	20416902601
		Thread Ring	Bright Brass	2041690301
		Thread Ring	Antique Brass	2041690501
81	1	Shoe Retainer and Bridge Assembly		20419900001

*When ordering an outside lever assembly for older locks, it may be necessary to order a respective outside drive sleeve assembly.
(See Conversion Assemblies)

Simplex

L1000 Series



Simplex

Item	Qty/Lock	Description	Finish	Part Number
82	1	Shoe Retainer Cap Assembly	Satin Chrome	20420026D01
		Shoe Retainer Cap Assembly	Bright Chrome	20420002601
		Shoe Retainer Cap Assembly	Bright Brass	2042000301
		Shoe Retainer Cap Assembly	Antique Brass	2042000501
83	1	1/4" Spacer, Door Thickness (Old # 201449) (Includes 1 ea. #23, #76; 2 ea. #18, #83; 4 ea. #20, #21, #22, #75)	Satin Chrome	20421026D01
		1/4" Spacer, Door Thickness (Old # 201449) (Includes 1 ea. #23, #76; 2 ea. #18, #83; 4 ea. #20, #21, #22, #75)	Bright Brass	2042100301
		1/4" Spacer, Door Thickness (Old # 201449) (Includes 1 ea. #23, #76; 2 ea. #18, #83; 4 ea. #20, #21, #22, #75)	Antique Brass	2042100501
84	1	Cylindrical Drive Unit Assembly (Includes 1 ea. #5, #29, #45, #70, #74, #81, #82; 2 ea. #13; 4 ea. #19)	Satin Chrome	20420226D01
		Cylindrical Drive Unit Assembly (Includes 1 ea. #5, #29, #45, #70, #74, #81, #82; 2 ea. #13; 4 ea. #19)	Bright Chrome	20420202601
		Cylindrical Drive Unit Assembly (Includes 1 ea. #5, #29, #45, #70, #74, #81, #82; 2 ea. #13; 4 ea. #19)	Bright Brass	2042020301
		Cylindrical Drive Unit Assembly (Includes 1 ea. #5, #29, #45, #70, #74, #81, #82; 2 ea. #13; 4 ea. #19)	Antique Brass	2042020501
85	1	Back Plate Assembly (Includes 1 ea. #73, #83, #84; 4 ea. #20) - LH	Satin Chrome	20420426D01
		Back Plate Assembly (Includes 1 ea. #73, #83, #84; 4 ea. #20) - LH	Bright Brass	2042040301
		Back Plate Assembly (Includes 1 ea. #73, #83, #84; 4 ea. #20) - LH	Antique Brass	2042040501
		Back Plate Assembly (Includes 1 ea. #73, #83, #84; 4 ea. #20) - RH	Satin Chrome	20420526D01
		Back Plate Assembly (Includes 1 ea. #73, #83, #84; 4 ea. #20) - RH	Bright Brass	2042050301
		Back Plate Assembly (Includes 1 ea. #73, #83, #84; 4 ea. #20) - RH	Antique Brass	2042050501
86	1	Screw Pack (Includes 1 ea. #23, #76; 2 ea. #18, #83; 4 ea. #20, #21, #22, #75) (Not shown in exploded view)	Satin Chrome	20421026D01
		Screw Pack (Includes 1 ea. #23, #76; 2 ea. #18, #83; 4 ea. #20, #21, #22, #75) (Not shown in exploded view)	Bright Brass	2042100301
		Screw Pack (Includes 1 ea. #23, #76; 2 ea. #18, #83; 4 ea. #20, #21, #22, #75) (Not shown in exploded view)	Antique Brass	2042100501
87	1	Installation Hardware Kit (Includes 1 ea. #6, #7, #47, #77, #79, #86; 2 ea. #83) (Not shown in exploded view)	Satin Chrome	20421126D11
		Installation Hardware Kit (Includes 1 ea. #6, #7, #47, #77, #79, #86; 2 ea. #83) (Not shown in exploded view)	Bright Brass	2042110311
		Installation Hardware Kit (Includes 1 ea. #6, #7, #47, #77, #79, #86; 2 ea. #83) (Not shown in exploded view)	Antique Brass	2042110511
Additional Kits & Accessories			Finish	Part Number
Lubriplate Aero Grease Tubes				6475400001
Best Key Override Spacer (not shown)				3800-00-3007
Sargent Key Override Spacer (not shown)				20402800001
Corbin-Russwin Key Override Spacer (not shown)				20402900001
Best Equivalent Removable Core Cylinder (Sold international only, not available for U.S.)			Bright Brass	2014840301
Best Equivalent Removable Core Cylinder (Sold international only, not available for U.S.)			Antique Brass	2014840501
Best Equivalent Removable Core Cylinder (Sold international only, not available for U.S.)			Satin Chrome	20148426D01
Wrap Plate, 10.5" (267mm) x 5" (127mm)			Satin Chrome	20423126D41
Wrap Plate, 10.5" (267mm) x 5" (127mm)			Bright Brass	2042310341
Wrap Plate, 10.5" (267mm) x 5" (127mm)			Antique Brass	2042340541



Simplex

L1000 Series

Additional Kits & Accessories	Finish	Part Number
Wrap Plate, 15" (381mm) x 5" (127mm)	Satin Chrome	20423226D41
Wrap Plate, 15" (381mm) x 5" (127mm)	Bright Brass	2042320341
Wrap Plate, 15" (381mm) x 5" (127mm)	Antique Brass	2012320541
Anti-Spy Shield (1000/L1000 Series)	Black	20160008301
Weather Cover (1000/L1000/5000/E5000)	Smoke	5464400041
Latch Extension Assembly - Converts to 3 3/4" (95mm) backset		20402200001
Latch Extension Assembly - Converts to 5" (130mm) backset		20402300001
Installation Jig (for use with E5000/5000/1000/L1000)		6468426D01
Simplex 1000/L1000 Cylindrical Wood Demo Mount (lock not included)		20304400041
3/4" (19 mm) Flat Front Latch - carries 3-hour UL/ULC fire rating for "A" labeled doors. 2 3/4" (70 mm) backset	Bright Brass	2016050301
3/4" (19 mm) Flat Front Latch - carries 3-hour UL/ULC fire rating for "A" labeled doors. 2 3/4" (70 mm) backset	Antique Brass	2016050501
3/4" (19 mm) Flat Front Latch - carries 3-hour UL/ULC fire rating for "A" labeled doors. 2 3/4" (70 mm) backset	Satin Chrome	20160526D01
ASA Roller Strike (For 4 7/8" (105 mm) long cutout) (old #1000-14-03)	Bright Brass	2018210301
ASA Roller Strike (For 4 7/8" (105 mm) long cutout) (old #1000-14-05)	Antique Brass	2018210501
ASA Roller Strike (For 4 7/8" (105 mm) long cutout) (old #1000-14-26D)	Satin Chrome	20182126D01
3/4" (19 mm) Brass Latch - carries 3-hour UL/ULC fire rating for "A" labeled doors. 2 3/4" (70 mm) backset. Beveled front. (For L1076 privacy Model only)	Bright Brass	2040040301
3/4" (19 mm) Brass Latch - carries 3-hour UL/ULC fire rating for "A" labeled doors. 2 3/4" (70 mm) backset. Beveled front. (For L1076 privacy Model only)	Antique Brass	2040040501
3/4" (19 mm) Brass Latch - carries 3-hour UL/ULC fire rating for "A" labeled doors. 2 3/4" (70 mm) backset. Beveled front. (For L1076 privacy Model only)	Satin Chrome	20400426D01
1/2" (13 mm) Brass Latch - carries 3-hour UL/ULC fire rating for "A" labeled doors. 2 3/4" (70 mm) backset. Fixed beveled front face.	Satin Chrome	5507126D01
1/2" (13 mm) Brass Latch - carries 3-hour UL/ULC fire rating for "A" labeled doors. 2 3/4" (70 mm) backset. Fixed beveled front face.	Bright Brass	550710301
1/2" (13 mm) Brass Latch - carries 3-hour UL/ULC fire rating for "A" labeled doors. 2 3/4" (70 mm) backset. Fixed beveled front face.	Antique Brass	550710501
Lever Conversion Assemblies	Finish	Part Number
Schlage Conversion Assembly (S) - RH	Satin Chrome	20184526D01
Schlage Conversion Assembly (S) - RH	Bright Chrome	20184502601
Schlage Conversion Assembly (S) - RH	Bright Brass	2018450301
Schlage Conversion Assembly (S) - RH	Antique Brass	2018450501
Schlage Conversion Assembly (S) - LH	Satin Chrome	20184626D01
Schlage Conversion Assembly (S) - LH	Bright Chrome	20184602601
Schlage Conversion Assembly (S) - LH	Bright Brass	2018460301
Schlage Conversion Assembly (S) - LH	Antique Brass	2018460501
Sargent Conversion Assembly (R) - RH	Satin Chrome	20193126D01
Sargent Conversion Assembly (R) - RH	Bright Chrome	20193102601
Sargent Conversion Assembly (R) - RH	Bright Brass	2019310301
Sargent Conversion Assembly (R) - RH	Antique Brass	2019310501
Sargent Conversion Assembly (R) - LH	Satin Chrome	20193226D01
Sargent Conversion Assembly (R) - LH	Bright Chrome	20193202601

*When ordering an outside lever assembly for older locks, it may be necessary to order a respective outside drive sleeve assembly. (See Conversion Assemblies)

Simplex

L1000 Series



Simplex

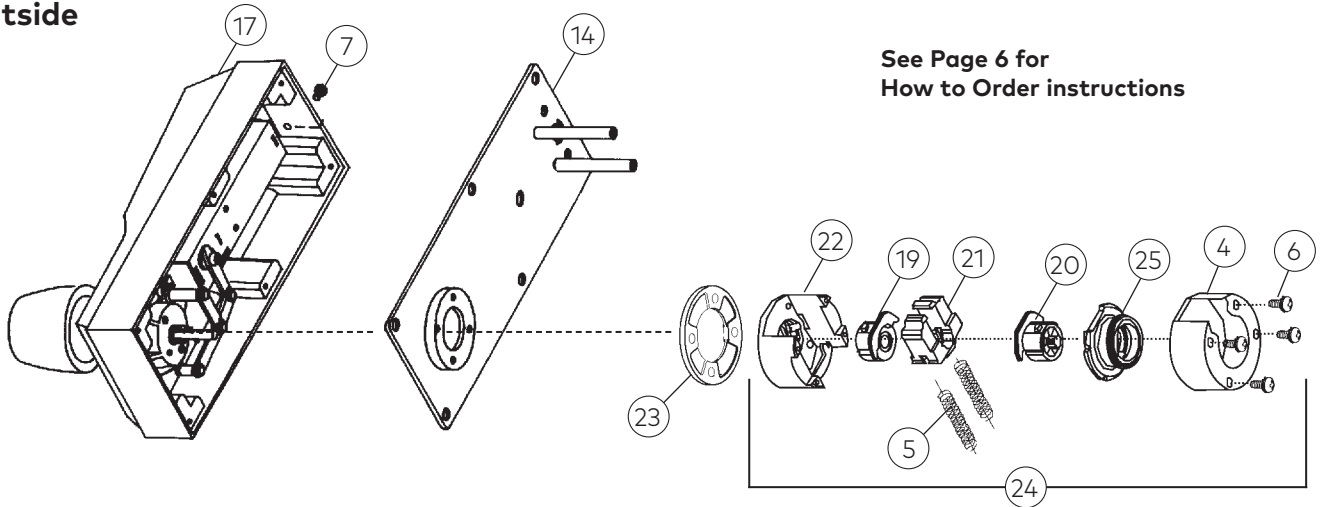
Lever Conversion Assemblies	Finish	Part Number
Sargent Conversion Assembly (R) - LH	Bright Brass	2019320301
Sargent Conversion Assembly (R) - LH	Antique Brass	2019320501
Medeco / ASSA / Yale Conversion Assembly - Request Spacers 201569 for 5 - 6 pin Medeco/ASSA. (M) (Old # for ASSA 204013 RH, 204014 LH) - RH	Satin Chrome	20193326D01
Medeco / ASSA / Yale Conversion Assembly - Request Spacers 201569 for 5 - 6 pin Medeco/ASSA. (M) (Old # for ASSA 204013 RH, 204014 LH) - RH	Bright Chrome	20193302601
Medeco / ASSA / Yale Conversion Assembly - Request Spacers 201569 for 5 - 6 pin Medeco/ASSA. (M) (Old # for ASSA 204013 RH, 204014 LH) - RH	Bright Brass	2019330301
Medeco / ASSA / Yale Conversion Assembly - Request Spacers 201569 for 5 - 6 pin Medeco/ASSA. (M) (Old # for ASSA 204013 RH, 204014 LH) - RH	Antique Brass	2019330501
Medeco / ASSA / Yale Conversion Assembly - Request Spacers 201569 for 5 - 6 pin Medeco/ASSA. (M) (Old # for ASSA 204013 RH, 204014 LH) - LH	Satin Chrome	20193426D01
Medeco / ASSA / Yale Conversion Assembly - Request Spacers 201569 for 5 - 6 pin Medeco/ASSA. (M) (Old # for ASSA 204013 RH, 204014 LH) - LH	Bright Chrome	20193402601
Medeco / ASSA / Yale Conversion Assembly - Request Spacers 201569 for 5 - 6 pin Medeco/ASSA. (M) (Old # for ASSA 204013 RH, 204014 LH) - LH	Bright Brass	2019340301
Medeco / ASSA / Yale Conversion Assembly - Request Spacers 201569 for 5 - 6 pin Medeco/ASSA. (M) (Old # for ASSA 204013 RH, 204014 LH) - LH	Antique Brass	2019340501
Best / Falcon / Arrow / Eagle / KSP / Lloyd Matheson Conversion Assembly (B) - RH	Satin Chrome	20193526D01
Best / Falcon / Arrow / Eagle / KSP / Lloyd Matheson Conversion Assembly (B) - RH	Bright Chrome	20193502601
Best / Falcon / Arrow / Eagle / KSP / Lloyd Matheson Conversion Assembly (B) - RH	Bright Brass	2019350301
Best / Falcon / Arrow / Eagle / KSP / Lloyd Matheson Conversion Assembly (B) - RH	Antique Brass	2019350501
Best / Falcon / Arrow / Eagle / KSP / Lloyd Matheson Conversion Assembly (B) - LH	Satin Chrome	20193626D01
Best / Falcon / Arrow / Eagle / KSP / Lloyd Matheson Conversion Assembly (B) - LH	Bright Chrome	20193602601
Best / Falcon / Arrow / Eagle / KSP / Lloyd Matheson Conversion Assembly (B) - LH	Bright Brass	2019360301
Best / Falcon / Arrow / Eagle / KSP / Lloyd Matheson Conversion Assembly (B) - LH	Antique Brass	2019360501
Corbin / Russwin Conversion Assembly (C) - RH	Satin Chrome	20193726D01
Corbin / Russwin Conversion Assembly (C) - RH	Bright Chrome	20193702601
Corbin / Russwin Conversion Assembly (C) - RH	Bright Brass	2019370301
Corbin / Russwin Conversion Assembly (C) - RH	Antique Brass	2019370501
Corbin / Russwin Conversion Assembly (C) - LH	Satin Chrome	20193826D01
Corbin / Russwin Conversion Assembly (C) - LH	Bright Chrome	20193802601
Corbin / Russwin Conversion Assembly (C) - LH	Bright Brass	2019380301
Corbin / Russwin Conversion Assembly (C) - LH	Antique Brass	2019380501

Use these conversion assemblies to convert an existing L1000 Series lock from standard to key override, or from one key override to another. Parts availability may be limited on older component parts no longer used in production units.



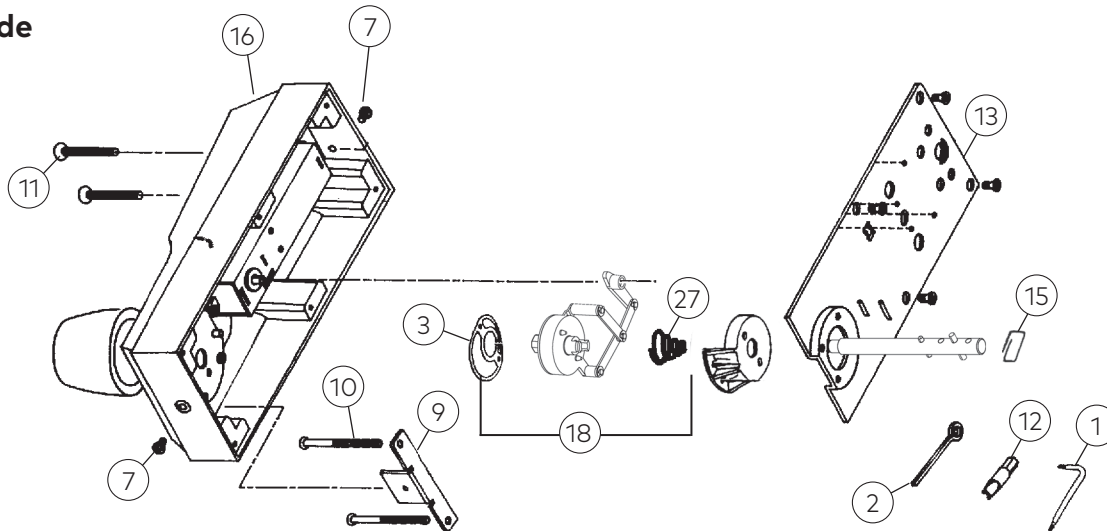
Simplex EE1000 Series

Outside



See Page 6 for
How to Order instructions

Inside



EE1000 Series Service Kit



Clutch Assembly



Knob Return Spring



Combination Chamber



K/O Drive Shaft



Standard Drive Shaft



Chamber Shaft Bushing



Stop Plate



Shaft Retainer Clip

Item	Part Number
EE1000 Series Service Kit	203036-000-01
• Chamber Shaft Bushing	
• Clutch Assembly	
• Combination Chamber	
• Drive Shaft (No Key Override)	
• Drive Shaft (Key Override)	
• Drive Shaft Retainer Clip	
• Return Spring	
• Stop Plate	

Shaft Retainer Clip (must be used)
* Requires two (2) kits to service both sides of lock

Simplex

EE1000 Series



Item	Qty/Lock	Description	Finish	Part Number
1	1	Torx Anti-Tamper Wrench - Code Change Tool/Screw Kit (Includes 1 ea. #1, #2, #7)	Satin Chrome	7454326D01
		Torx Anti-Tamper Wrench - Code Change Tool/Screw Kit (Includes 1 ea. #1, #2, #7)	Bright Brass	745430301
2	1	Code Change Tool - Code Change Tool/Screw Kit (Includes 1 ea. #1, #2, #7)	Satin Chrome	7454326D01
		Code Change Tool - Code Change Tool/Screw Kit (Includes 1 ea. #1, #2, #7)	Bright Brass	745430301
3	1	Double Wave Spring - Clutch Spring Kit (Includes 1 ea. #3, #27)		20101600001
4	1	Cover for Shoe Housing		20127700001
5	2	Shoe Springs		20136600010
6	4	Sems screw Phillips 6-32 x 1/4" (11 mm) R.H.M.S. (for shoe housing cover)		20144600010
7	1	Combination Change Screw	Satin Chrome	20187126D05
		Combination Change Screw	Bright Brass	2018710305
		Combination Change Screw	Antique Brass	2018710505
8	1	Combination Change Bracket (For use on older models only)		20188200001
9	1	Lock Mounting Bracket		20190500001
10	2	Flat Phillips Head Screw 2 15/16" x 1/32"		20190600002
11	2	Spanner Screw - Tamper Proof		20190700010
12	1	2-#10 Size Insert Bit (fits #11)		20191100002
13	1	Inside Lock Cover Plate Assembly		20191200001
14	1	Outside Lock Cover Plate Assembly		20191600001
15	1	Retainer Clip (Drive Shaft)		20191800002
16	1	Housing (Inside)		20192326D01
		Housing (Inside)		2019230301
		Housing (Inside)		2019230501
17	1	Housing (Outside)	Satin Chrome	20192426D01
		Housing (Outside)	Bright Brass	2019240301
		Housing (Outside)	Antique Brass	2019240501
18	1	Clutch Assembly (EE1000 Only) (Includes 1 ea. #3, #18, #27)		20195600001
19	1	Drive Insert		20401500001
20	1	Drive Insert (EE1000 Only)		20416400001
21	1	Retractor Shoe		20416500001
22	1	Shoe Retainer and Bridge		20419900001
23	1	Spacer Kit (Includes 1 ea. #23, 4 ea. #6, various door thickness screws)	Satin Chrome	20421026D01
		Spacer Kit (Includes 1 ea. #23, 4 ea. #6, various door thickness screws)	Bright Brass	2042100301
		Spacer Kit (Includes 1 ea. #23, 4 ea. #6, various door thickness screws)	Antique Brass	2042100501
24	1	Cylindrical Drive Unit Assembly (Includes 1 ea. #19, #20, #21, #22, #25, #28; 2 ea. #5; 4 ea. #6)		20420800001
25	1	Shoe Retainer Cap Assembly		20420900001
26	1	Installation Hardware Kit (Not Shown in exploded view)	Bright Brass	2042120311
		Installation Hardware Kit (Not Shown in exploded view)	Antique Brass	2042120511
		Installation Hardware Kit (Not Shown in exploded view)	Satin Chrome	20421226D11
27	1	Clutch Balance Spring - Clutch Spring Kit (Includes 1 ea. #3, #27)		20101600001



Simplex

EE1000 Series

Additional Kits & Accessories	Finish	Part Number
Lubriplate Aero Grease Tubes		6475400001
Best Key Override Spacer (not shown)		3800-00-3007
Sargent Key Override Spacer (not shown)		20402800001
Corbin-Russwin Key Override Spacer (not shown)		20402900001
Best Equivalent Removable Core Cylinder (Sold international only, not available for U.S.)	Bright Brass	2014840301
Best Equivalent Removable Core Cylinder (Sold international only, not available for U.S.)	Antique Brass	2014840501
Best Equivalent Removable Core Cylinder (Sold international only, not available for U.S.)	Satin Chrome	20148426D01
Anti-Spy Shield (1000/L1000 Series)	Black	20160008301
Weather Cover (1000/L1000/5000/E5000)	Smoke	5464400041
Simplex EE1000 Series Wooden Demo Mount		20408600041

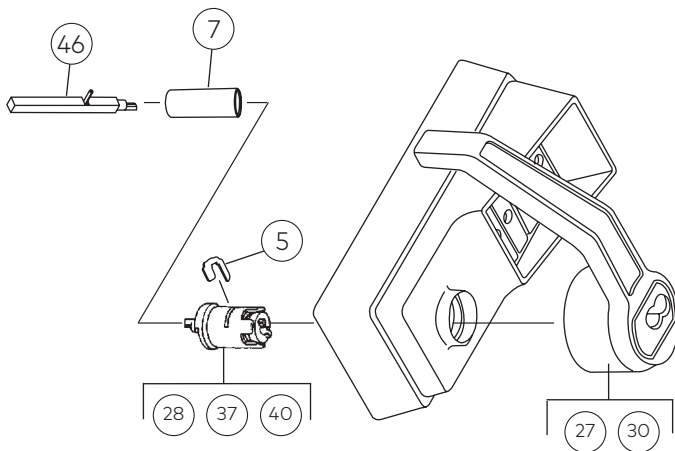
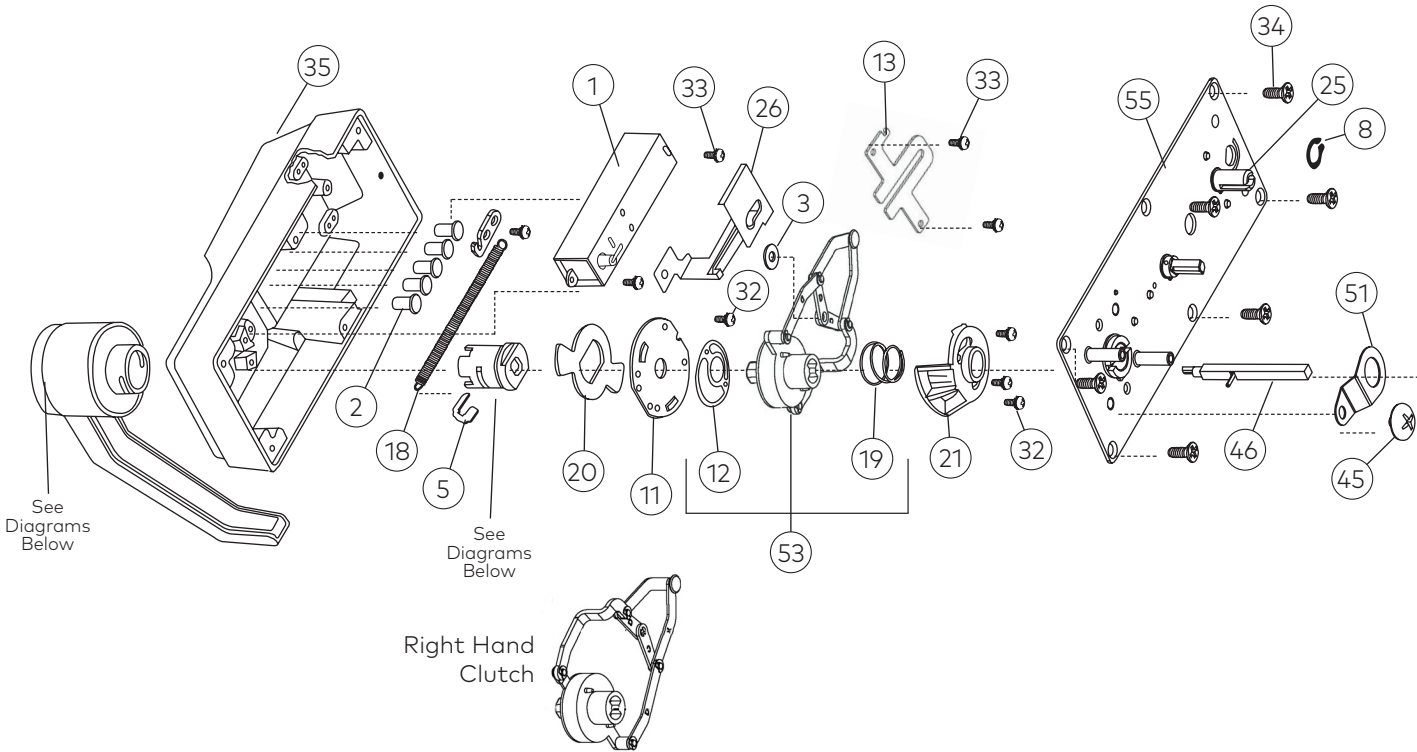
Notes

- See 1000 Series Exploded View and Replacement Parts on Page 2-9 for parts not shown or numbered on this page.
- Service kit can be used on both sides of lock
 - *(Requires (2) kits to service both sides)
- Lubriplate Aero grease is the "only" lubricant that should be used.
- * All EE1000 Series Locksets with a serial number consisting of three letters followed by five digits will no longer be using the code change bracket (Part No. 201882)

Parts availability may be limited on older component parts no longer used in production units.

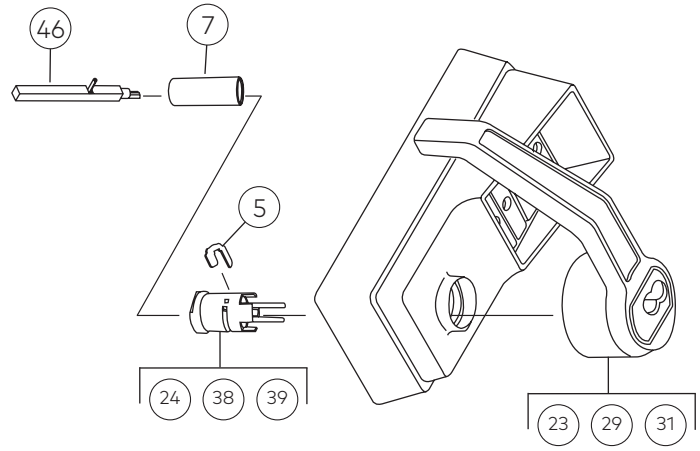


Simplex 8100 Series



Key Override Models

Medeco/ASSA/Yale/Schlage

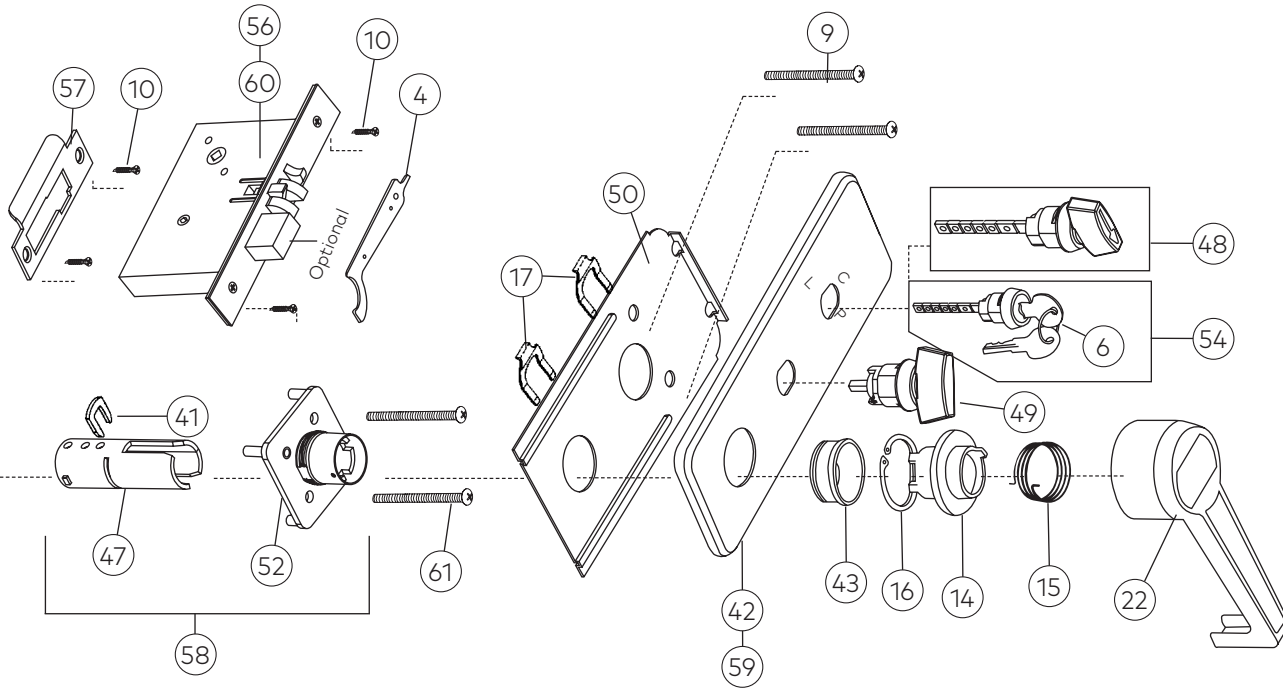


Key Override Models

Best & Equivalents Corbin/
Russwin/Sargent

Simplex

8100 Series



See Page 6 for
How to Order instructions

Item	Qty/Lock	Description	Finish	Part Number
1	1	Combination Chamber (M-56/M-63)		7436600001
2	5	Pushbuttons (10 Pack)	Black	20002410610
		Pushbuttons (10 Pack)	Silver	20002410910
3	1	Bushing, Shaft (5 Pack)		20002600005
4	1	Installation Wrench (spanner wrench) - Code Change Tool Kit (Includes 1 ea. #4; 2 ea. DF-59 keys)		20127800001
5	1	Front Lever Retainer Clip (5 Pack)		20134300005
6	1	Key DF-5 (For Passage and Lockout) (2 Pack)		20142200002
7	1	Shaft Self-Aligning Bushing		20142500001
8	1	Retaining Ring 3/8" I.D. (10 Pack)		20144000010
9	2	Screw, 8-32 x 2 1/2" Kit (For Mounting) (Includes 2 ea. #9)	Satin Chrome	20421026D01
		Screw, 8-32 x 2 1/2" Kit (For Mounting) (Includes 2 ea. #9)	Bright Brass	2042100301
		Screw, 8-32 x 2 1/2" Kit (For Mounting) (Includes 2 ea. #9)	Antique Brass	2042100501
10	4	Combination Screw, Phillips 8-32 x 3/4" (10 Pack)	Satin Chrome	20156526D10
		Combination Screw, Phillips 8-32 x 3/4" (10 Pack)	Bright Brass	2015650310
		Combination Screw, Phillips 8-32 x 3/4" (10 Pack)	Antique Brass	2015650510
11	1	Clutch Backing Plate		20170800001
12	1	Wave Spring - Clutch Spring Kit (L1000 / 8100) (Includes 1 ea. #12, #19)		20176800001
13	1	Guide Bracket		20172100001



Simplex 8100 Series

Item	Qty/Lock	Description	Finish	Part Number
14	1	Inside Lever Fixed Sleeve - RH - Fixed Sleeve Kit (Includes 1 ea. #14, #15, #16)		20172700001
		Inside Lever Fixed Sleeve - LH - Fixed Sleeve Kit (Includes 1 ea. #14, #15, #16)		20173300001
15	1	Inside Lever Coil Return Spring - RH		20173000001
		Inside Lever Coil Return Spring - LH		20173200001
16	1	Inside Lever Fixed Sleeve Retainer Clip		20173400001
17	2	Passage Spring Clip (for passage and lockout) (10 Pack)		20174000010
18	1	Outside Lever Return Spring - Stop Plate Kit - RH (Includes 1 ea. #18, #20)		20177300001
		Outside Lever Return Spring - Stop Plate Kit - LH (Includes 1 ea. #18, #20)		20177400001
19	1	Clutch Balance Spring - Clutch Spring Kit (L1000/8100) (Includes 1 ea. #12, #19)		20176800001
20	1	Stop Plate Assembly - Stop Plate Kit - RH (Includes 1 ea. #18, #20)		20177300001
		Stop Plate Assembly - Stop Plate Kit - LH (Includes 1 ea. #18, #20)		20177400001
21	1	Clutch Cover Assembly - RH		20178000001
		Clutch Cover Assembly - LH		20178100001
22	1	Inside Lever Assembly (Includes 1 ea. #14, #15, #16, #22) - RH	Satin Chrome	20178526D01
		Inside Lever Assembly (Includes 1 ea. #14, #15, #16, #22) - RH	Bright Chrome	20178502601
		Inside Lever Assembly (Includes 1 ea. #14, #15, #16, #22) - RH	Bright Brass	2017850301
		Inside Lever Assembly (Includes 1 ea. #14, #15, #16, #22) - RH	Antique Brass	2017850501
		Inside Lever Assembly (Includes 1 ea. #14, #15, #16, #22) - LH	Satin Chrome	20178626D01
		Inside Lever Assembly (Includes 1 ea. #14, #15, #16, #22) - LH	Bright Chrome	20178602601
		Inside Lever Assembly (Includes 1 ea. #14, #15, #16, #22) - LH	Bright Brass	2017860301
		Inside Lever Assembly (Includes 1 ea. #14, #15, #16, #22) - LH	Antique Brass	2017860501
23	1	Best Outside Lever Assembly (Also fits Falcon / Arrow / Eagle & KSP / Lloyd Matheson) (Removable Core)	Satin Chrome	20179026D01
		Best Outside Lever Assembly (Also fits Falcon / Arrow / Eagle & KSP / Lloyd Matheson) (Removable Core)	Bright Chrome	20179002601
		Best Outside Lever Assembly (Also fits Falcon / Arrow / Eagle & KSP / Lloyd Matheson) (Removable Core) - RH	Bright Brass	2017900301
		Best Outside Lever Assembly (Also fits Falcon / Arrow / Eagle & KSP / Lloyd Matheson) (Removable Core) - RH	Antique Brass	2017900501
		Best Outside Lever Assembly (Also fits Falcon / Arrow / Eagle & KSP / Lloyd Matheson) (Removable Core) - LH	Satin Chrome	20179126D01
		Best Outside Lever Assembly (Also fits Falcon / Arrow / Eagle & KSP / Lloyd Matheson) (Removable Core) - LH	Bright Chrome	20179102601
		Best Outside Lever Assembly (Also fits Falcon / Arrow / Eagle & KSP / Lloyd Matheson) (Removable Core) - LH	Bright Brass	2017910301
		Best Outside Lever Assembly (Also fits Falcon / Arrow / Eagle & KSP / Lloyd Matheson) (Removable Core) - LH	Antique Brass	2017910501
24	1	Best Outside Drive Sleeve Assembly (Also fits Falcon / Arrow / Eagle & KSP / Lloyd Matheson) (Removable Core)		20179200001
25	1	Chamber Release Cam - Passage Kit (Passage, Lockout) (Includes 1 ea. #8, #25, #26)		20182500001
26	1	Chamber Release - Passage Kit (For Passage Set) (Includes 1 ea. #8, #25, #26)		20182500001

Simplex 8100 Series



Simplex

Item	Qty/Lock	Description	Finish	Part Number
27	1	Schlage Outside Lever Assembly (Removable Core) - RH	Satin Chrome	20182926D01
		Schlage Outside Lever Assembly (Removable Core) - RH	Bright Chrome	20182902601
		Schlage Outside Lever Assembly (Removable Core) - RH	Bright Brass	2018290301
		Schlage Outside Lever Assembly (Removable Core) - RH	Antique Brass	2018290501
		Schlage Outside Lever Assembly (Removable Core) - LH	Satin Chrome	20183026D01
		Schlage Outside Lever Assembly (Removable Core) - LH	Bright Chrome	20183002601
		Schlage Outside Lever Assembly (Removable Core) - LH	Bright Brass	2018300301
		Schlage Outside Lever Assembly (Removable Core) - LH	Antique Brass	2018300501
28	1	Medeco / ASSA / Yale Outside Drive Sleeve Assembly (Removable Core) (Old # for ASSA 204010)		20184200001
29	1	Sargent Outside Lever Assembly (Removable Core) - RH	Satin Chrome	20192526D01
		Sargent Outside Lever Assembly (Removable Core) - RH	Bright Chrome	20192502601
		Sargent Outside Lever Assembly (Removable Core) - RH	Bright Brass	2019250301
		Sargent Outside Lever Assembly (Removable Core) - RH	Antique Brass	2019250501
		Sargent Outside Lever Assembly (Removable Core) - LH	Satin Chrome	20192626D01
		Sargent Outside Lever Assembly (Removable Core) - LH	Bright Chrome	20192602601
		Sargent Outside Lever Assembly (Removable Core) - LH	Bright Brass	2019260301
		Sargent Outside Lever Assembly (Removable Core) - LH	Antique Brass	2019260501
30	1	Medeco / ASSA / Yale Outside Lever Assembly (Removable Core) (Old # for ASSA 204008 LH, 204009 RH) - RH	Satin Chrome	20192726D01
		Medeco / ASSA / Yale Outside Lever Assembly (Removable Core) (Old # for ASSA 204008 LH, 204009 RH) - RH	Bright Chrome	20192702601
		Medeco / ASSA / Yale Outside Lever Assembly (Removable Core) (Old # for ASSA 204008 LH, 204009 RH) - RH	Bright Brass	2019270301
		Medeco / ASSA / Yale Outside Lever Assembly (Removable Core) (Old # for ASSA 204008 LH, 204009 RH) - RH	Antique Brass	2019270501
		Medeco / ASSA / Yale Outside Lever Assembly (Removable Core) (Old # for ASSA 204008 LH, 204009 RH) - LH	Satin Chrome	20192826D01
		Medeco / ASSA / Yale Outside Lever Assembly (Removable Core) (Old # for ASSA 204008 LH, 204009 RH) - LH	Bright Chrome	20192802601
		Medeco / ASSA / Yale Outside Lever Assembly (Removable Core) (Old # for ASSA 204008 LH, 204009 RH) - LH	Bright Brass	2019280301
		Medeco / ASSA / Yale Outside Lever Assembly (Removable Core) (Old # for ASSA 204008 LH, 204009 RH) - LH	Antique Brass	2019280501
31	1	Corbin / Russwin Outside Lever Assembly (Removable Core) - RH	Satin Chrome	20192926D01
		Corbin / Russwin Outside Lever Assembly (Removable Core) - RH	Bright Chrome	20192902601
		Corbin / Russwin Outside Lever Assembly (Removable Core) - RH	Bright Brass	2019290301
		Corbin / Russwin Outside Lever Assembly (Removable Core) - RH	Antique Brass	2019290501
		Corbin / Russwin Outside Lever Assembly (Removable Core) - LH	Satin Chrome	20193026D01
		Corbin / Russwin Outside Lever Assembly (Removable Core) - LH	Bright Chrome	20193002601
		Corbin / Russwin Outside Lever Assembly (Removable Core) - LH	Bright Brass	2019300301
		Corbin / Russwin Outside Lever Assembly (Removable Core) - LH	Antique Brass	2019300501
32	6	Sems Screw, Phillips 6-32 x 7/16" (11 mm) R.H.M.S. (Includes 10 ea. #32, #33, #34) (clutch cover, clutch backing plate and guide bracket) Screw Pack (10 ea. 6-32 x 3/8", 5/16", 7/16")		6477600001
33	2	Sems Screw, Phillips 6-32 x 5/16" (8 mm) R.H.M.S. (Includes 10 ea. #32, #33, #34) (chamber) Screw Pack (10 ea. 6-32 x 3/8", 5/16", 7/16")		6477600001
34	6	Screw, Phillips 6-32 x 3/8" F.H.M.S. (back plate) (Includes 10 ea. #32, #33, #34) Screw Pack (10 ea. 6-32 x 3/8", 5/16", 7/16")		6477600001



Simplex 8100 Series

Item	Qty/Lock	Description	Finish	Part Number
35	1	Front Lock Housing	Satin Chrome	20300026D01
		Front Lock Housing	Bright Chrome	20300002601
		Front Lock Housing	Bright Brass	2030000301
		Front Lock Housing	Antique Brass	2030000501
38	1	Corbin / Russwin Outside Drive Sleeve Assembly (Removable Core)		20403600001
39	1	Sargent Outside Drive Sleeve Assembly (Removable Core)		20403700001
40	1	Schlage Outside Drive Sleeve Assembly (Removable Core)		20403800001
41	1	Inside Lever Retainer Clip (5 Pack)		20412000005
42	1	Unified Trim Plate for Deadbolt	Satin Chrome	80121826D01
		Unified Trim Plate for Deadbolt	Bright Chrome	80121802601
		Unified Trim Plate for Deadbolt	Bright Brass	8012180301
		Unified Trim Plate for Deadbolt	Antique Brass	8012180501
43	1	Thread Ring	Satin Chrome	80122726D01
		Thread Ring	Bright Brass	8012270301
		Thread Ring	Antique Brass	8012270501
44	1	Gear Detention Spring (Not shown in exploded view)		80123100001
45	1	Drive Shaft Assembly Bracket Screw (Includes 1 ea. #45, #51)		80124700001
46	1	Drive Shaft Assembly ALL models EXCEPT Schlage		80123900001
		Schlage Drive Shaft Assembly		80129300001
47	1	Inside Drive Sleeve - RH		80124000001
		Inside Drive Sleeve - LH		80125700001
48	1	Thumb Turn Assembly (Passage & Lockout)	Satin Chrome	80127926D01
		Thumb Turn Assembly (Passage & Lockout)	Bright Brass	8012790301
		Thumb Turn Assembly (Passage & Lockout)	Antique Brass	8012790501
49	1	Thumb Turn Assembly (Deadbolt)	Satin Chrome	80124326D01
		Thumb Turn Assembly (Deadbolt)	Bright Brass	8012430301
		Thumb Turn Assembly (Deadbolt)	Antique Brass	8012430501
50	1	Reinforcing Plate		80124500001
51	1	Drive Shaft Assembly Bracket (Includes 1 ea. #45, #51)		80124700001
52	1	Inside Lever Sleeve Base - RH	Satin Chrome	80124826D01
		Inside Lever Sleeve Base - RH	Bright Brass	8012480301
		Inside Lever Sleeve Base - RH	Antique Brass	8012480501
		Inside Lever Sleeve Base - LH	Satin Chrome	80124926D01
		Inside Lever Sleeve Base - LH	Bright Brass	8012490301
		Inside Lever Sleeve Base - LH	Antique Brass	8012490501
53	1	Clutch Assembly (Includes 1 ea. #12, #19, #53) - RH		80125200001
		Clutch Assembly (Includes 1 ea. #12, #19, #53) - LH		80125300001
54	1	Passage Plug Assembly - with (2) DF5 Keys (Passage & Lockout)	Satin Chrome	80127926D01
		Passage Plug Assembly - with (2) DF5 Keys (Passage & Lockout)	Bright Brass	8012790301
		Passage Plug Assembly - with (2) DF5 Keys (Passage & Lockout)	Antique Brass	8012790501
55	1	Back Plate Assembly - RH		80126000001
		Back Plate Assembly - LH		80127200001

Simplex

8100 Series



Simplex

Item	Qty/Lock	Description	Finish	Part Number
56	1	Mortise Assembly with Deadbolt (Includes 1 ea. #56 #57) - RH (old # 80126126D41)	Satin Chrome	80127426D01
		Mortise Assembly with Deadbolt (Includes 1 ea. #56 #57) - RH (old # 8012610341)	Bright Brass	8012740301
		Mortise Assembly with Deadbolt (Includes 1 ea. #56 #57) - RH (old # 8012610541)	Antique Brass	8012740501
		Mortise Assembly with Deadbolt (Includes 1 ea. #56 #57) - LH (old # 80127526D41)	Satin Chrome	80127326D01
		Mortise Assembly with Deadbolt (Includes 1 ea. #56 #57) - LH (old # 8012750341))	Bright Brass	8012730301
		Mortise Assembly with Deadbolt (Includes 1 ea. #56 #57) - LH (old # 8012750541)	Antique Brass	8012730501
57	1	Strike Plate (Includes screws) - RH	Satin Chrome	80126226D01
		Strike Plate (Includes screws) - RH	Bright Brass	8012620301
		Strike Plate (Includes screws) - RH	Antique Brass	8012620501
		Strike Plate (Includes screws) - LH	Satin Chrome	80127626D01
		Strike Plate (Includes screws) - LH	Bright Brass	8012760301
		Strike Plate (Includes screws) - LH	Antique Brass	8012760501
58	1	Inside Lever Sleeve Assembly - RH	Satin Chrome	80126526D01
		Inside Lever Sleeve Assembly - RH	Bright Chrome	80126502601
		Inside Lever Sleeve Assembly - RH	Bright Brass	8012650301
		Inside Lever Sleeve Assembly - RH	Antique Brass	8012650501
		Inside Lever Sleeve Assembly - LH	Satin Chrome	80126626D01
		Inside Lever Sleeve Assembly - LH	Bright Chrome	80126602601
		Inside Lever Sleeve Assembly - LH	Bright Brass	8012660301
		Inside Lever Sleeve Assembly - LH	Antique Brass	8012660501
59	1	Unified Trim Plate - without Deadbolt	Satin Chrome	80127826D01
		Unified Trim Plate - without Deadbolt	Bright Chrome	80127802601
		Unified Trim Plate - without Deadbolt	Bright Brass	8012780301
		Unified Trim Plate - without Deadbolt	Antique Brass	8012780501
60	1	Mortise Assembly - without Deadbolt - RH	Satin Chrome	80128726D01
		Mortise Assembly - without Deadbolt - RH	Bright Brass	8012870301
		Mortise Assembly - without Deadbolt - RH	Antique Brass	8012870501
		Mortise Assembly - without Deadbolt - LH	Satin Chrome	80128826D01
		Mortise Assembly - without Deadbolt - LH	Bright Brass	8012880301
		Mortise Assembly - without Deadbolt - LH	Antique Brass	8012880501
61	2	Mounting Screw Kit (Includes 4 ea. #61; 2 pins)		6477726D01
62	1	Installation Hardware Kit (Not shown in exploded view)	Satin Chrome	80125926D01
		Installation Hardware Kit (Not shown in exploded view)	Bright Brass	8012590301
		Installation Hardware Kit (Not shown in exploded view)	Antique Brass	8012590501



Simplex 8100 Series

Additional Kits & Accessories	Finish	Part Number
Lubriplate Aero Grease Tubes		6475400001
Best Key Override Spacer (not shown)		3800-00-3007
Sargent Key Override Spacer (not shown)		20402800001
Corbin-Russwin Key Override Spacer (not shown)		20402900001
Best Equivalent Removable Core Cylinder (Sold international only, not available for U.S.)	Bright Brass	2014840301
Best Equivalent Removable Core Cylinder (Sold international only, not available for U.S.)	Antique Brass	2014840501
Best Equivalent Removable Core Cylinder (Sold international only, not available for U.S.)	Satin Chrome	20148426D01
Anti-Spy Shield (1000/L1000 Series)	Black	20160008301
Weather Cover (1000/L1000/5000/E5000)	Smoke	5464400041
Installation Jig (for use with E5000/5000/1000/L1000)		6468426D01
Simplex 8100 Mortise Wood Demo Mount (lock not included)		20408300041

Notes

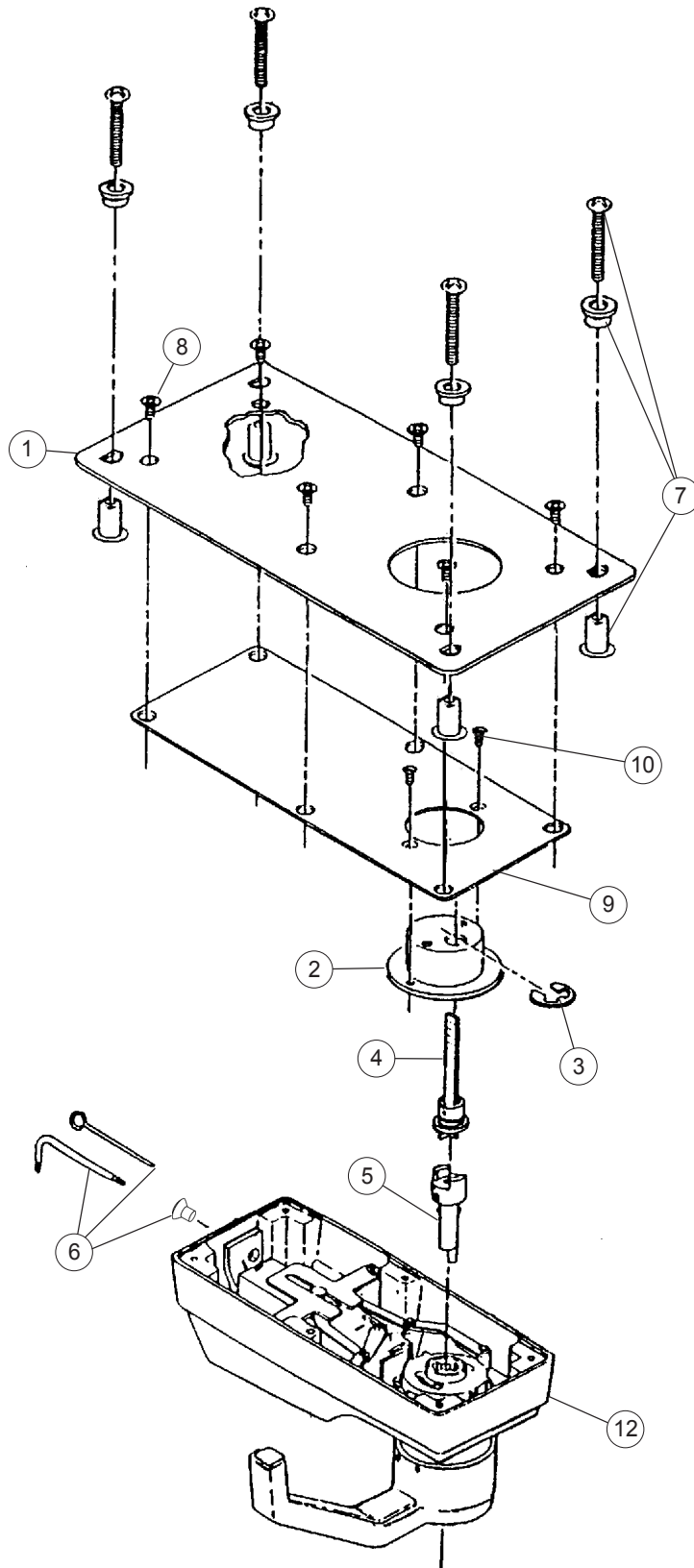
- Lubriplate Aero grease is the "only" lubricant that should be used.
Parts availability may be limited on older component parts no longer used in production units.



Simplex LP1000 Series

LP1000 Series Service Kit

Left Hand Kit Shown



LH Clutch Assembly



Drive Shaft
K/O "BEST ONLY"



Combination
Chamber



Drive Shaft All
Others



Chamber Shaft Bushing



LH Stop Plate



Tail Piece Assembly
w/ clip



Lever Return Spring

Item	Part Number
------	-------------

LP1000 Series Service Kit (LH)	203040-000-01
<ul style="list-style-type: none"> • Chamber Shaft Bushing • Clutch Assembly • Combination Chamber • Lever Return Spring • Key Override Shaft (Best) • Key Override Shaft (all others) • Stop Plate • Tailpiece Assembly 	

Item	Part Number
------	-------------

LP1000 Series Service Kit (RH)	203039-000-01
<ul style="list-style-type: none"> • Chamber Shaft Bushing • Clutch Assembly • Combination Chamber • Lever Return Spring • Key Override Shaft (Best) • Key Override Shaft (all others) • Stop Plate • Tailpiece Assembly 	

See Page 6 for
How to Order instructions

Notes

For lock assembly, see L1000 section.

Simplex

LP1000 Series



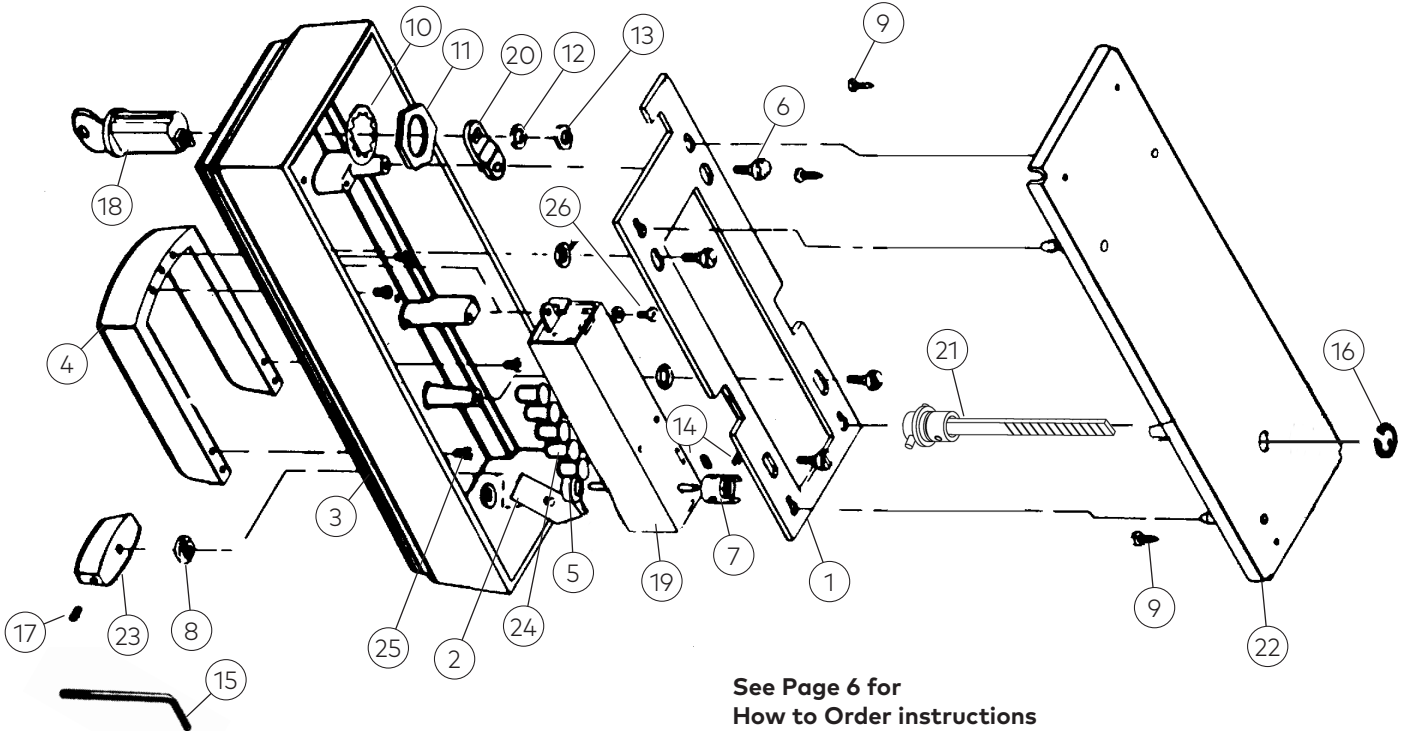
Item	Qty/Lock	Description	Finish	Part Number
1	1	Mounting Plate	Black	2435501201
2	1	Lock Adapter		4424700001
3	1	E - Ring (For Tailpiece Assembly) (10 Pack)		5419800010
4	1	Tail Piece Assembly (Includes 1 ea. #3, #4)		7430300001
5	1	Drive Shaft Assembly (Short) (For All Key Override Cores Except Best and Equivalents)		7452900001
		Drive Shaft Assembly (Long) (For Best Key Override and Equivalents)		7467900001
6	1	Torx Anti-Tamper Wrench - Code Change Tool/Screw Kit (Includes Wrench, Code Change Tool, Screw)	Satin Chrome	7454326D01
		Torx Anti-Tamper Wrench - Code Change Tool/Screw Kit (Includes Wrench, Code Change Tool, Screw)	Bright Brass	745430301
		Torx Anti-Tamper Wrench - Code Change Tool/Screw Kit (Includes Wrench, Code Change Tool, Screw)	Antique Brass	745430501
7	4	Thru-Bolt Screw Kit (Includes 4 ea. screw, bushing, sex nut)	Satin Chrome	7454426D01
		Thru-Bolt Screw Kit (Includes 4 ea. screw, bushing, sex nut)	Bright Brass	745440301
		Thru-Bolt Screw Kit (Includes 4 ea. screw, bushing, sex nut)	Antique Brass	745440501
8	6	Screw, Phillips 6-32 x 5/8" F.H.M.S. (Back Plate) (Replaced 201444-022-10) (201955-000-01) (10 Pack)		20416600010
9	1	Back Plate (Replaced 24354-000-01)		20404300001
10	1	Lock Adapter Screw (5 Pack)		20411200005
11	1	Installation Hardware Kit (Includes 1 ea. #6, #7, #8)		7455426D01
		Installation Hardware Kit (Includes 1 ea. #6, #7, #8)		745540301
12	1	Front Lock Housing (Housing ONLY)	Satin Chrome	20300026D01
		Front Lock Housing (Housing ONLY)	Bright Chrome	20300002601
		Front Lock Housing (Housing ONLY)	Bright Brass	2030000301
		Front Lock Housing (Housing ONLY)	Antique Brass	2030000501
Additional Kits & Accessories			Finish	Part Number
		Lubriplate Aero Grease Tubes		6475400001
		Best Key Override Spacer (not shown)		3800-00-3007
		Sargent Key Override Spacer (not shown)		20402800001
		Corbin-Russwin Key Override Spacer (not shown)		20402900001
		Best Equivalent Removable Core Cylinder (Sold international only, not available for U.S.)	Bright Brass	2014840301
		Best Equivalent Removable Core Cylinder (Sold international only, not available for U.S.)	Antique Brass	2014840501
		Best Equivalent Removable Core Cylinder (Sold international only, not available for U.S.)	Satin Chrome	20148426D01
		Anti-Spy Shield (1000/L1000 Series)	Black	20160008301
		Weather Cover (1000/L1000/5000/E5000)	Smoke	5464400041
		Simplex LP1000 Exit Trim Wood Demo Mount (lock not included)		20408700041

Notes

- Lubriplate Aero grease is the "only" lubricant that should be used.
- Parts availability may be limited on older component parts no longer used in production units.



Simplex 2015 Series



Item	Qty/Lock	Description	Finish	Part Number
1	1	Lock-in Plate		2410900001
2	1	Stop Arm (Includes #2, #5, #7, #14, #19)		74241200001
3	1	Front Housing	Satin Chrome	3404426D01
4	1	1/2" VisiGuard	Satin Chrome	3404626D01
5	1	Control Shaft Sleeve (Includes #2, #5, #7, #14, #19)		74241200001
6	4	Lock-In Slide Shoulder Screws (For Drive Hub) (10 Pack)		4412100010
7	1	Drive Hub (Includes 1 ea. #7, 3 pcs of #14)		4412200001
8	1	Control Shaft Bushing (Includes 1 ea. of #8, #17, #23)		20001326D01
9	4	No. 7 PanHead Sheet Metal Screws (For Rear Cover) (10 Pack)		5407700010
10	1	Control Lock Cylinder Lock Washer (Includes #10, #11, #12, #13)		6476600001
11	1	Control Lock Cyl. Nut (Includes #10, #11, #12, #13)		6476600001
12	1	Plug Lock Washer (Includes #10, #11, #12, #13)		6476600001
13	1	Plug Nut (Includes #10, #11, #12, #13)		6476600001
14	3	8-32 x 3/16" (5 mm) Self-Locking Hex Socket Set Screw Kit (Includes 1 ea. #7, 3 pcs #14)		4412200001
15	1	Allen Wrench 5/64" x 1 131/32 (2 x 50 mm)		6471700001
16	1	E-Ring (For Tailpiece Assembly) (10 Pack)		5419800010
17	1	Set Screw 6-32 x 1/4" (6 mm) (Includes 1 ea. #8, #17, #23) (10 Pack)		20001326D01
18	1	Control Lock (Includes #10, #11, #12, #13, #18, #20)	Satin Chrome	7416626D01
19	1	Combination Chamber (Includes 1 ea. #2, #5, #7, #14, #19)		74241200001

Simplex

2015 Series



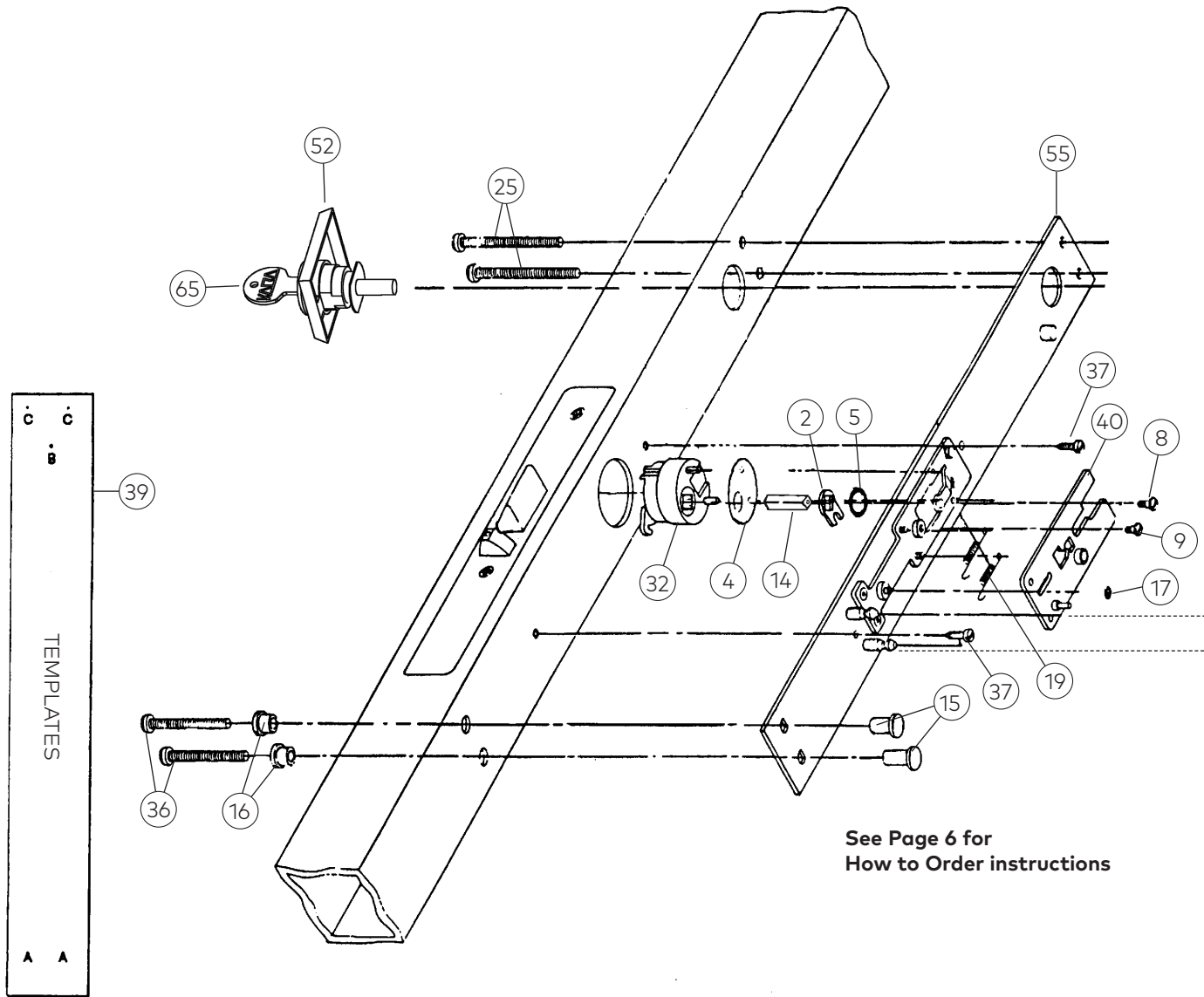
Item	Qty/Lock	Description	Finish	Part Number
20	1	Control Lock Cam & Stud Assembly		7430200001
21	1	Tailpiece Assy (Includes 1 ea. #16, #21)		7430300001
22	1	Back Plate Assembly		7430400001
23	1	Turn Knob Kit (Includes 1 ea. #8, #17, #23)	Satin Chrome	20001326D01
24	5	Pushbuttons (10 Pack)	Satin Chrome	20002410910
25	6	Screw 6-32 x 5/16" RHMS (10 mm) (For combination chamber and VisiGuard) (10 Pack) Screw Pack (10 ea. 6-32 x 3/8", 5/16", 7/16")		6477600001
Additional Kits & Accessories			Finish	Part Number
		Lubriplate grease		6475400001
		Simplex 2015 Wooden Demo Mount		20409600041

Notes

- Lubriplate Aero grease is the "only" lubricant that should be used.
- Parts availability may be limited on older component parts no longer used in production units.

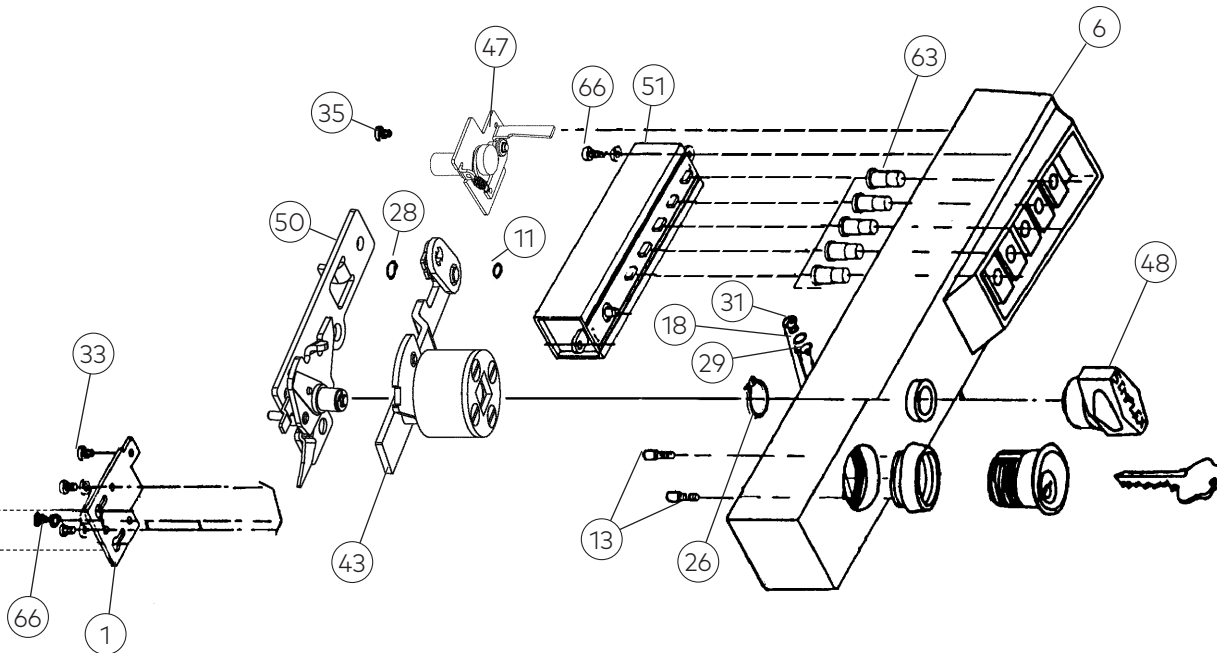


Simplex 3000 Series



Item	Qty/Lock	Description	Finish	Part Number
1	1	Plate Lock		2416500001
2	1	Slide Yoke Cam - Yoke Kit (Includes 1 ea. #2, #5, #14)		6476700001
4	1	Cam Cover	Satin Chrome	2419326D01
		Cam Cover	Duranodic	241935501
5	1	Yoke Spacer - Yoke Kit (Includes 1 ea. #2, #5, #14)		6476700001
6	1	Lock Housing without Cylinder Guard	Satin Chrome	3404726D01
		Lock Housing without Cylinder Guard	Duranodic	340475501
		Lock Housing with Cylinder Guard (Includes 1 ea. #6, #18, #29, #31)	Satin Chrome	7442526D01
		Lock Housing with Cylinder Guard (Includes 1 ea. #6, #18, #29, #31)	Duranodic	744255501
8	1	Special Head Screw No. 5-40 UNC-2A x 3/16" (5mm) long (For cam drive) (10 Pack)		4418800010

Simplex 3000 Series



Item	Qty/Lock	Description	Finish	Part Number
9	1	Special Head Screw No. 6-32 UNC-2A x 1/8" (3mm) long (For forward slide) (10 Pack)		4419100010
11	1	Bushing (For Combination Chamber Control Shaft) (10 Pack)		4420700010
13	2	Threaded Self-tapping Screw No. 4-24 SP x 5/16" (8mm) long (For cylinder retention) (10 Pack)		4421400010
14	1	Square Shaft Kit 5/8" (16mm) long (For cam drive) (Includes 1 ea. #2, #5, #14)		6476700001
15	2	Threaded Bushing; "D" Shaped (For lower drive assembly mounting plate)(10 Pack)	Black	4422601210
16	2	Bushing; "O" Shaped (For lower drive assembly mounting) (10 Pack)	Black	442291910
17	3	Retaining Ring (For slide, stud code lever, and interposer) (10 Pack)		5411400010
18	1	Washer 1/4" (6mm) Shim (For cylinder guard 74425) (Includes 1 ea. #18, #29, #31)		6476800001



Simplex 3000 Series

Item	Qty/Lock	Description	Finish	Part Number
19	2	Extension Spring (For slide stile plate assembly) (10 Pack)		5423700010
25	2	Phillips Head Screw No. 10-24 UNC - 2A x 2 1/8" (54mm) long (For securing upper lock housing) (10 Pack)		5424700010
26	1	Retaining Ring (For drive knob) (10 Pack)		5425100010
28	1	Grip Ring (For combination chamber control shaft) (10 Pack)		5425300010
29	1	Ball Bearing; 3/32" (2mm) dia. (For cylinder guard) (Includes 1 ea. #18, #29, #31)		6476800001
31	1	Round Head Screw No. 5-40 UNC-2A x 1/4" (6mm) long (For lock housing prepped for cylinder guard) (Includes 1 ea. #18, #29, #31)		6476800001
32	1	Cam Plug No. 4580 Adams Rite		5425800001
33	1	Pan Head Screw No. 6-32 UNC-2AA x 3/16" (5mm) long (For cylinder cam stop) (10 Pack)		5426000010
35	1	Slotted Flat Head Screw No. 2-56 x 1/4" (6mm) long (For code change assembly plate) (10 Pack)		5426500010
36	2	Phillips Head Machine Screw No. 10-24 x 1 1/2" (38mm) long (For lower drive assembly mounting) (10 Pack)	Black	5427500010
37	1	Self-tapping Sheet Metal Screw No. 6 (For securing drive assembly)(10 Pack)		5428400010
38	1	Screwdriver 2 1/2" (64mm) Blade; Flat Point (For combination code change) (Not shown on exploded view)		5428500001
39	1	Template (Cardboard)- 1 1/8" (28mm) L		6414300001
		Template (Cardboard)- 1 1/8" (28mm) L		6414400001
		Template (Cardboard)- 3 1/32" (25mm) R		6414500001
		Template (Cardboard)- 3 1/32" (25mm) L		6414600001
40	1	Slide Assembly- 3 1/32" (25mm) L		7433100001
		Slide Assembly- 3 1/32" (25mm) R		7433200001
		Slide Assembly- 1 1/8" (28mm) L		7433300001
		Slide Assembly- 1 1/8" (28mm) R		7433400001
43	1	Clutch Assembly (Complete)		6475500001
47	1	Code Change Assembly (Complete)		7434800001
48	1	Knob Assembly (Includes 1 ea. #26, #48)	Black	743491901
50	1	Interposer Drive and Ball Assembly (Complete)		7435400001
51	1	Combination Chamber (M-63)/(M-56)		7436600001
52	1	Trim Plate Assembly with (2) DF59 Keys (Complete)	Black	743771901
55	1	Complete Mounting Plate Assembly (For 1 1/8" (28 mm) backset); RH (Complete) (Includes 1 ea. #2, #5, #8, #9, #14, #17, #19, #32, #40, #55) - Old # 744161901	Black	30301941
		Complete Mounting Plate Assembly (For 1 1/8" (28 mm) backset); LH (Complete) (Includes 1 ea. #2, #5, #8, #9, #14, #17, #19, #32, #40, #55) - Old # 744181901	Black	30401941
		Complete Mounting Plate Assembly (For 3 1/32" (25 mm) backset); RH (Complete) (Includes 1 ea. #2, #5, #8, #9, #14, #17, #19, #32, #40, #55) - Old # 744201901	Black	30101941
		Complete Mounting Plate Assembly (For 3 1/32" (25 mm) backset); LH (Complete) (Includes 1 ea. #2, #5, #8, #9, #14, #17, #19, #32, #40, #55) - Old # 744221901	Black	30201941
63	5	Pushbuttons (10 Pack)	Black	20002410610
		Pushbuttons (10 Pack)	Silver	20002410910
65	2	DF-59 Keys (For combination change control lock) (Includes spanner wrench not needed for 3000 code change)		20127800001
66	2	Sems Screw Kit Phillips 6 - 32 x 5/16" (8mm) R.H.M.S. (For combination chamber) (Old #54199 & #54200) Screw Pack (10 ea. 6-32 x 3/8", 5/16", 7/16")		6477600001

Simplex

3000 Series



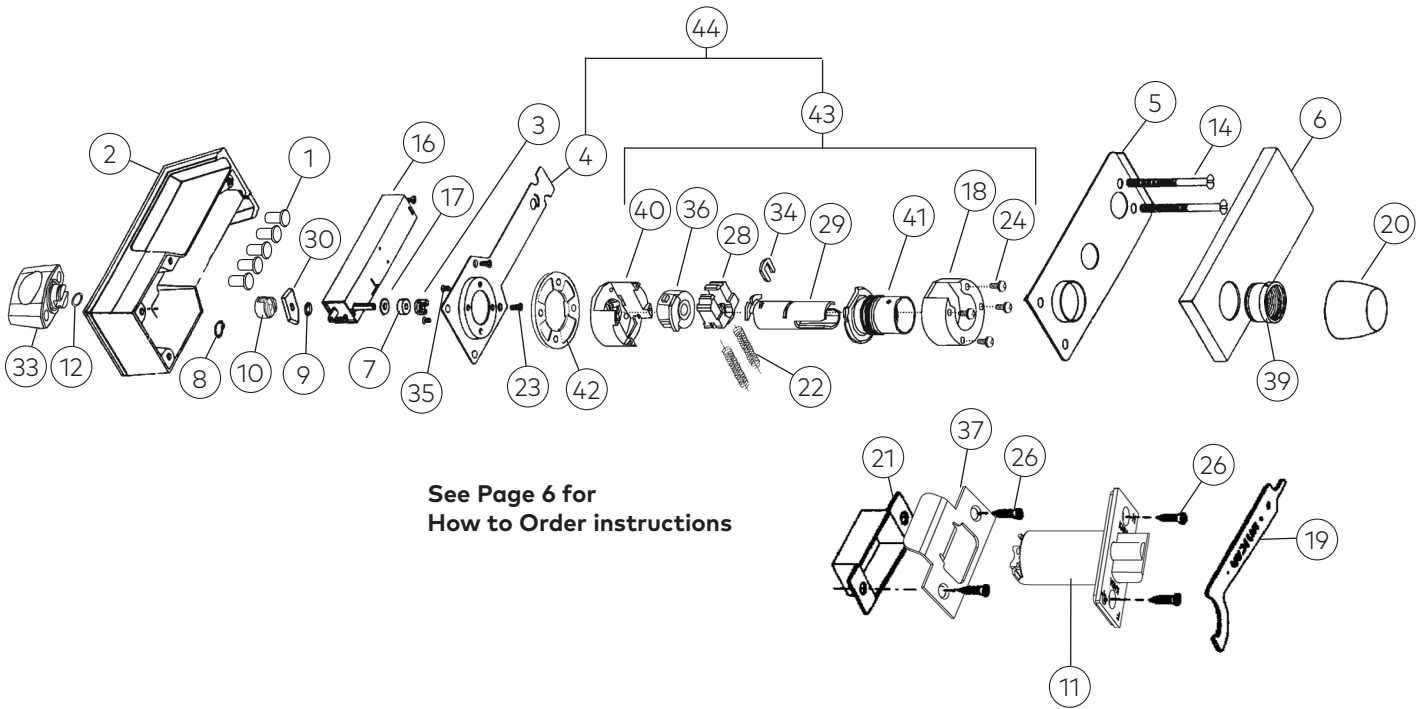
Additional Kits & Accessories	Finish	Part Number
Lubriplate Aero Grease Tubes		6475400001
Simplex 3000 Series Narrow Stile Demo Mount (Includes Adams Rite latch and paddle)		74378CH

Notes

- Lubriplate Aero grease is the "only" lubricant that should be used. Parts availability may be limited on older component parts no longer used in production units.



Simplex 6200 Series



See Page 6 for
How to Order instructions

Item	Qty/Lock	Description	Finish	Part Number
1	5	Pushbuttons (10 Pack)	Black	3401910610
2	1	Front Lock Housing	Gold Tone	5500106001
		Front Lock Housing	Almond	5500106701
		Front Lock Housing	Black	5500108501
		Front Lock Housing	Grey	5500108601
3	1	Drive Hub - Drive Hub Kit (Includes 1 ea. #3, #17; 2 pcs #7)		6477200001
4	1	Back Plate Sub-assembly (Old # 55095)		5504400001
5	1	Inside Door Reinforcing Plate		5505700001
6	1	Inside Trim Plate	Satin Chrome	5506026D01
		Inside Trim Plate	Bright Brass	550600301
7	1	Spacer - Drive Hub Kit (Includes 1 ea. #3, #17; 2 pcs #7)		6477200001
8	1	Retainer Ring for Turn Knob (10 Pack)		5508000010
9	1	Stop Arm Washer - Combination Chamber Kit (Includes 1 ea. #9, #16, #30)		7487000001
10	1	Force Proof Clutch Assembly		5509100001
11	1	Latch 1/2" (13mm) Throw; 2 3/8" (60mm) Backset; Flat Front; 7/8" Barrel Hole Prep	Satin Chrome	5511526D01
		Latch 1/2" (13mm) Throw; 2 3/8" (60mm) Backset; Flat Front; 7/8" Barrel Hole Prep	Bright Brass	551150301
		Latch 1/2" (13mm) Throw; 2 3/4" (70mm) Backset; Flat Front; 7/8" Barrel Hole Prep	Satin Chrome	5511626D01
		Latch 1/2" (13mm) Throw; 2 3/4" (70mm) Backset; Flat Front; 7/8" Barrel Hole Prep	Bright Brass	551160301
		Latch 1/2" (13mm) Throw; 2 3/8" (60mm) Backset; Floating Front; HD, UL Listed; 1" Barrel Hole Prep	Satin Chrome	20416826D01
		Latch 1/2" (13mm) Throw; 2 3/8" (60mm) Backset; Floating Front; HD, UL Listed; 1" Barrel Hole Prep	Bright Brass	2041680301
		Latch 1/2" (13mm) Throw; 2 3/4" (70mm) Backset; Floating Front; HD, UL Listed; 1" Barrel Hole Prep	Satin Chrome	7518526D01
		Latch 1/2" (13mm) Throw; 2 3/4" (70mm) Backset; Floating Front; HD, UL Listed; 1" Barrel Hole Prep	Bright Brass	751850301

Simplex 6200 Series



Simplex

Item	Qty/Lock	Description	Finish	Part Number
12	1	Wave Spring Washer (For front knob assembly) (10 Pack)		5424600010
14	2	Mounting Screw 1/4" x 20 NC (2 screws x 2 sizes) for Doors 1 3/8" - 2 1/4"	Satin Chrome	5530026D01
		Mounting Screw 1/4" x 20 NC (2 screws x 2 sizes) for Doors 1 3/8" - 2 1/4"	Bright Brass	553000301
15	1	Accessory Kits (For Lock Installation) (Not shown in Exploded View)	Satin Chrome	5530026D01
		Accessory Kits (For Lock Installation) (Not shown in Exploded View)	Bright Brass	553000301
16	1	Combination Chamber Kit (M64) (Includes 1 ea. #9, #16, #30) (Old # 55013-000-01)		7487000001
17	1	Shaft Bushing - Drive Hub Kit (Includes 1 ea. #3, #17; 2 ea. #7)		6477200001
18	1	Cover for Shoe Housing		20127700001
19	1	Installation Wrench (Spanner Wrench)		20127800001
20	1	Inside Knob (Old # 55073) or 201284	Satin Chrome	3426426D01
		Inside Knob (Old # 55073) or 201284	Bright Brass	342640301
21	1	Strike Box (Old # 55068-000-01)		20128700001
22	2	Shoe Spring (10 Pack)		20136600010
23	4	Sems Screw Phillips 6-32 x 1/4" (6mm) R.H.M.S. (For shoe housing cover) (10 Pack)		20144600010
24	4	Sems Screw Phillips 8-32 x 7/16" (11mm) R.H.M.S. (For spacer)	Satin Chrome	20421026D01
		Sems Screw Phillips 8-32 x 7/16" (11mm) R.H.M.S. (For spacer)	Bright Brass	2042100301
25	4	Sems Screw Phillips 8-32 x 11/16" (11mm) R.H.M.S. (For spacer)	Satin Chrome	20421026D01
		Sems Screw Phillips 8-32 x 11/16" (11mm) R.H.M.S. (For spacer)	Bright Brass	2042100301
26	4	Combination Screw; Phillips 8-32 x 3/4" (19mm) (For Latch & Strike) (10 Pack)	Satin Chrome	20156526D10
		Combination Screw; Phillips 8-32 x 3/4" (19mm) (For Latch & Strike) (10 Pack)	Bright Brass	2015650310
		Combination Screw; Phillips 8-32 x 3/4" (19mm) (For Latch & Strike) (10 Pack)	Antique Brass	2015650510
27	1	Rubber Bumper (For Door Frame) (Not Shown on Exploded View)		20156800005
28	1	Retractor Shoe (old # 201272)		20172300001
29	1	Inside Drive Sleeve Assembly (Includes 1 ea. #29, #34)		20178200001
30	1	Stop Arm - Combination Chamber Kit (Includes 1 ea. #9, #16, #30)		7487000001
31	2	Sems Screw Phillips 6-32 x 5/16" (8mm) R.H.M.S. (For combination chamber) (Old Part # 201447-000-10) Screw Pack (10 ea. 6-32 x 3/8", 5/16", 7/16")		6477600001
32	4	Sems Screw Phillips 6-32 x 3/8" (10mm) F.H.M.S. (For back plate) (Old Part # 201444-000-10) Screw Pack (10 ea. 6-32 x 3/8", 5/16", 7/16")		6477600001
33	1	Turn Knob Assembly (Old # 55128) (Includes 1 ea. #8, #33)		20201406001
		Turn Knob Assembly (Old # 55128) (Includes 1 ea. #8, #33)		20201406701
		Turn Knob Assembly (Old # 55128) (Includes 1 ea. #8, #33)		20201408501
		Turn Knob Assembly (Old # 55128) (Includes 1 ea. #8, #33)		20201408601
34	1	Retainer Clip (For Inside Knob) (Old # 201344)		20412000005
35	4	Sems Screw Phillips 8 - 32 x 5/16" (5mm) R.H.M.S. (For spacer)(old # 201449)	Satin Chrome	20421026D01
		Sems Screw Phillips 8 - 32 x 5/16" (5mm) R.H.M.S. (For spacer) (old # 201449)	Bright Brass	2042100301
36	1	Drive Insert (Old # 55077)		20413800001
37	1	Strike Plate (old # 201288)	Satin Chrome	20422726D01
		Strike Plate (old # 201288)	Bright Brass	2042270301
39	1	Rose Bushing / Thread Ring Privacy Locks	Satin Chrome	20416926D01
		Rose Bushing / Thread Ring Privacy Locks	Bright Brass	2041690301
40	1	Shoe Retainer and Bridge Assembly		20419900001



Simplex 6200 Series

Item	Qty/Lock	Description	Finish	Part Number
41	1	Shoe Retainer Cap Assembly	Satin Chrome	20420026D01
		Shoe Retainer Cap Assembly	Bright Brass	2042000301
42	1	1/4" Spacer, Door Thickness	Satin Chrome	20421026D01
		1/4" Spacer, Door Thickness	Bright Brass	2042100301
43	1	Cylindrical Drive Unit Assembly (Includes 1 ea. #18, #28, #29, #34, #36, #40, #41; 2 ea. #22; 4 ea. #24)	Satin Chrome	20420626D01
		Cylindrical Drive Unit Assembly (Includes 1 ea. #18, #28, #29, #34, #36, #40, #41; 2 ea. #22; 4 ea. #24)	Bright Brass	2042060301
44	1	Back Plate Assembly (Includes 1 ea. #4, #24, #42, #43)	Satin Chrome	20420726D01
		Back Plate Assembly (Includes 1 ea. #4, #24, #42, #43)	Bright Brass	2042070301
Additional Kits & Accessories			Finish	Part Number
		Lubriplate Aero Grease Tubes		6475400001
		Simplex 6200 Series Wooden Demo Mount		20409400041
		6200 Filler Plate - Black Only		550721901

Notes

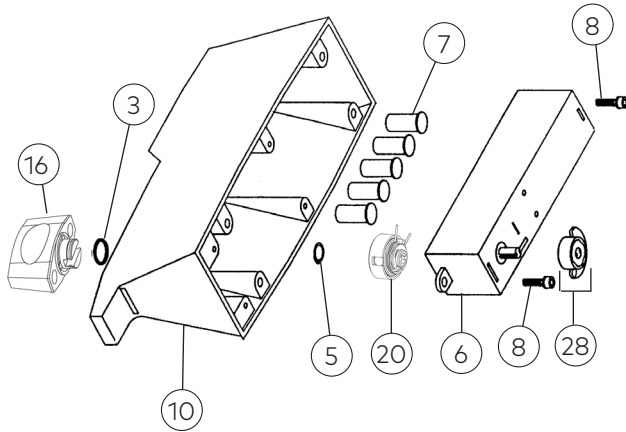
- Lubriplate Aero grease is the "only" lubricant that should be used.
- Parts availability may be limited on older component parts no longer used in production units.

Simplex 7100 Series

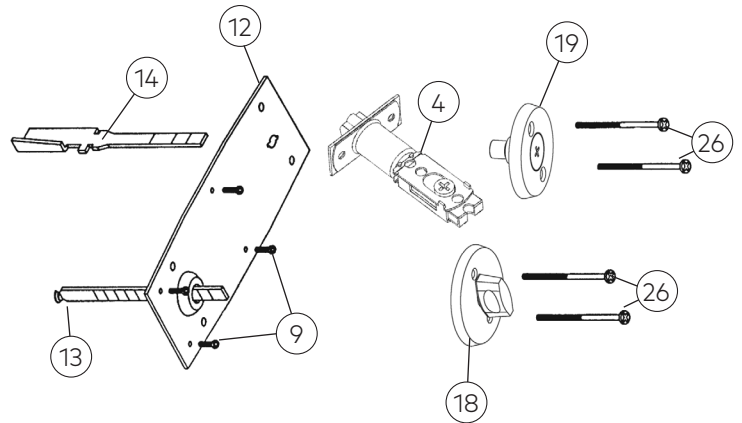


Simplex

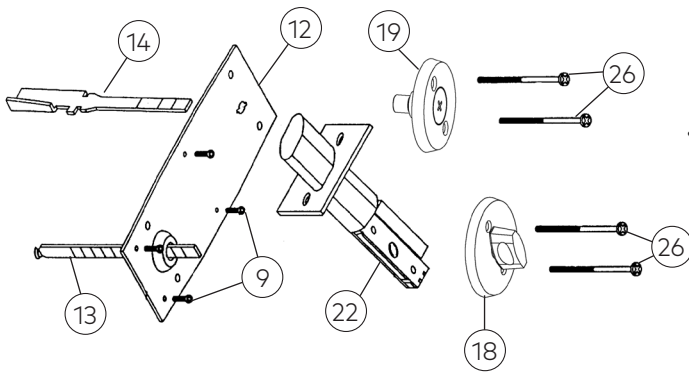
Front Housing, All Models



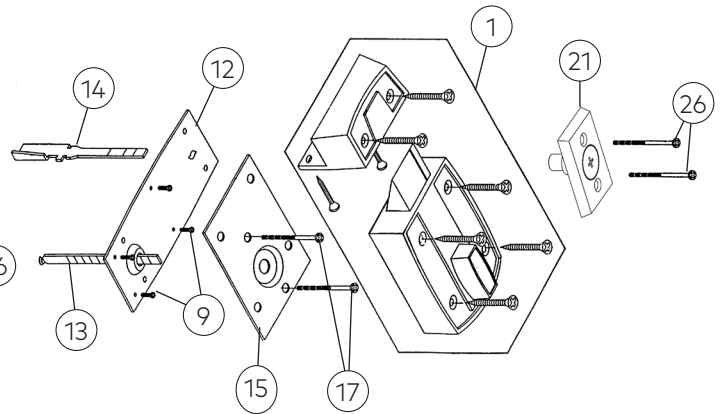
Interior: 7104



Interior: 7102, 7108



Interior: 7106



See Page 6 for
How to Order instructions

Item	Qty/Lock	Description	Finish	Part Number
1	1	Rim Deadlocking Latch 2 3/8" (60mm) Backset with Strike Box (7106 only) (Includes 1 ea. #1, #15, #35)		40275091941
3	1	Wave Spring Washer (For front knob assembly) (10 Pack)		5424600010
4	1	7104 Latch Bolt Assembly Adjustable 2 3/4" (70mm & 2 3/8" (60mm) backset (Includes 1 ea. #4, #28) (Replaced 202003)	Satin Chrome	5444426D01
		7104 Latch Bolt Assembly Adjustable 2 3/4" (70mm) & 2 3/8" (60mm) backset (Includes 1 ea. #4, #28) (Replaced 202003)	Bright Brass	544440301
5	1	Retainer Ring (10 Pack)		5508000010



Simplex 7100 Series

Item	Qty/Lock	Description	Finish	Part Number
6	1	Combination Chamber (M-71) Common (For all 7000/7100 Series Locks) (old # 202056)		7466000001
7	5	Pushbuttons (10 Pack)	Black	20002410610
		Pushbuttons (10 Pack)	Silver	20002410910
8	2	Screw Thread Forming 6-32 UNC x 5/16" (8mm) Pan Head (For combination chamber) (Includes 10 ea. #8, #9) Screw Pack (10 ea. 6-32 x 3/8", 5/16", 7/16")		6477600001
9	4	Screw Thread Forming 6-32 UNC x 3/8" Flat Head (For Back Plate) (Includes 10 ea. #8, #9) Screw Pack (10 ea. 6-32 x 3/8", 5/16", 7/16")		6477600001
10	1	Front Lock Housing (old # 202002-***-01)	Bright Brass	2020750301
		Front Lock Housing (old # 202002-***-01)	Antique Copper	202075AC01
		Front Lock Housing (old # 202002-***-01)	Black	2020751901
		Front Lock Housing (old # 202002-***-01)	Antique White	202075AW01
		Front Lock Housing (old # 202002-***-01)	Satin Chrome	20207526D01
		Front Lock Housing (old # 202002-***-01)	Gold Vein	202075GV01
		Front Lock Housing (old # 202002-***-01)	Silver Vein	202075SV01
12	1	Back Plate Old Style (narrow) (7000 series)		20200400001
		Back Plate New Style (wide) (7100 series)		20209100001
13	1	Tailpiece (For latch / deadbolt) (Includes 1 ea. #13, #14)		6476900001
14	1	Tailpiece (For combination change) (Includes 1 ea. #13, #14)		6476900001
15	1	7106 Rim Deadlocking Latch Inside Back Plate		20201200001
16	1	Outside Turn Knob Assembly (Includes 1 ea. #3, #5, #16)	Bright Brass	2020140301
		Outside Turn Knob Assembly (Includes 1 ea. #3, #5, #16)	Satin Chrome	20201426D01
		Outside Turn Knob Assembly (Includes 1 ea. #3, #5, #16)	Antique White	202014AW01
		Outside Turn Knob Assembly (Includes 1 ea. #3, #5, #16)	Gold Vein	202014GV01
		Outside Turn Knob Assembly (Includes 1 ea. #3, #5, #16)	Silver Vein	202014SV01
17	2	Connecting Bolt Pan Head Screws (For 7106) (5 Pack)		20202100005
18	1	Inside Turn Knob and Rose Assembly For Models 7102/7104/7108	Bright Brass	2020250301
		Inside Turn Knob and Rose Assembly For Models 7102/7104/7108	Antique Copper	202025AC01
		Inside Turn Knob and Rose Assembly For Models 7102/7104/7108	Satin Chrome	20202526D01
		Inside Turn Knob and Rose Assembly For Models 7102/7104/7108	Antique White	202025AW01
		Inside Turn Knob and Rose Assembly For Models 7102/7104/7108	Gold Vein	202025GV01
		Inside Turn Knob and Rose Assembly For Models 7102/7104/7108	Silver Vein	202025SV01
19	1	Inside Combination Change Assembly For Models 7102/7104/7108	Bright Brass	2020260301
		Inside Combination Change Assembly For Models 7102/7104/7108	Antique Copper	202026AC01
		Inside Combination Change Assembly For Models 7102/7104/7108	Satin Chrome	20202626D01
		Inside Combination Change Assembly For Models 7102/7104/7108	Antique White	202026AW01
		Inside Combination Change Assembly For Models 7102/7104/7108	Gold Vein	202026GV01
		Inside Combination Change Assembly For Models 7102/7104/7108	Silver Vein	202026SV01
20	1	Force Proof Clutch Assembly (Complete)		20208100001
21	1	7106 Combination Change Assembly	Black	2020281901
22	1	7102 Deadbolt Assembly 2 3/4" (70mm) backset	Satin Chrome	20205226D01
		7102 Deadbolt Assembly 2 3/4" (70mm) backset	Bright Brass	2020520301
		7108 Deadbolt Assembly 2 3/8" (60mm) backset	Satin Chrome	20206426D01
		7108 Deadbolt Assembly 2 3/8" (60mm) backset	Bright Brass	2020640301

Simplex 7100 Series



Simplex

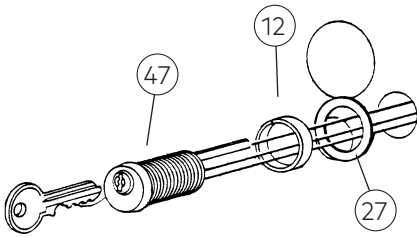
Item	Qty/Lock	Description	Finish	Part Number
26	4	Connecting Bolts - Flat Head Phillips Screws. (For 1 3/8" to 2 1/4" doors) (Includes 4 ea. #26 - 4 pcs x 3 different lengths)	Satin Chrome	6477426D01
		Connecting Bolts - Flat Head Phillips Screws. (For 1 3/8" to 2 1/4" doors) (Includes 4 ea. #26 - 4 pcs x 3 different lengths)	Bright Brass	647740301
28	1	Cam Assembly (For 7106 - "C" Up)		20207700001
		Cam Assembly (For 7104 - "D" Down)		20208000001
		Cam Assembly (For 7102/7108 - "D" Up)		20207900001
31	1	7102/7108 Installation Hardware Kit	Bright Brass	SP71020301
		7102/7108 Installation Hardware Kit	Satin Chrome	SP710226D01
33	1	7104 Installation Hardware Kit	Bright Brass	SP71040301
		7104 Installation Hardware Kit	Satin Chrome	SP710426D01
35	1	7106 Installation Hardware Kit	Black	SP71061901
36	1	7104 Strike Kit	Satin Chrome	20423026D01
		7104 Strike Kit	Bright Brass	2042300301
Additional Kits & Accessories			Finish	Part Number
		Lubriplate Aero Grease Tubes		6475400001
		Simplex 7100 Series Wooden Demo Mount - Dual Mount Displays 1 ea. 7108/7104 (Locks Not Included)		20418900041
		Simplex 7100 Series Wooden Demo Mount - 7106 Model Only - (Lock Not Included)		20409200041

Notes

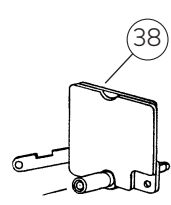
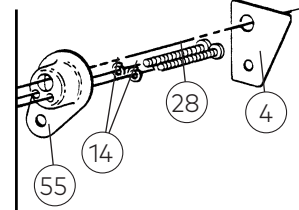
- Lubriplate Aero grease is the "only" lubricant that should be used.
- Parts availability may be limited on older component parts no longer used in production units.



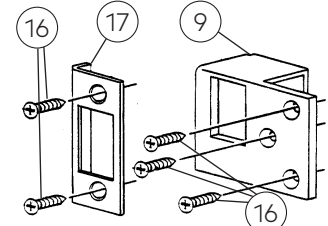
Simplex 900 Series



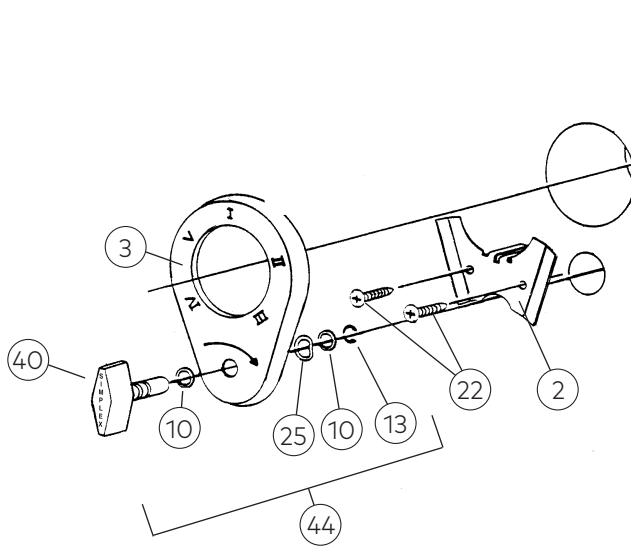
Cylinder assembly for key override model locks.



Gear plate for key override model locks

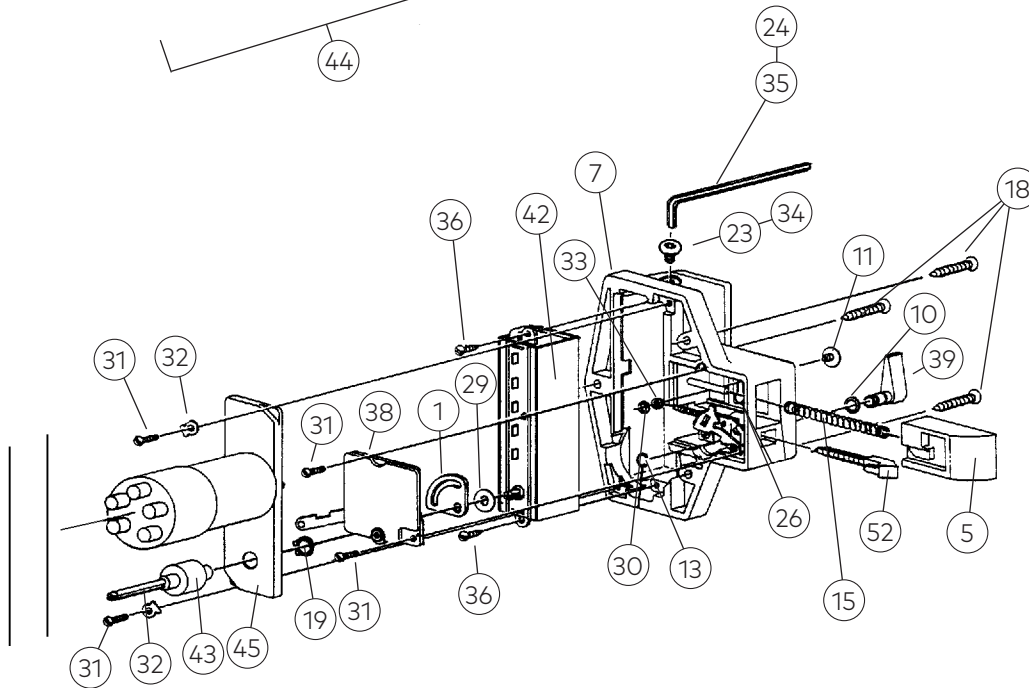


Standard strike plate and strike box for all model locks



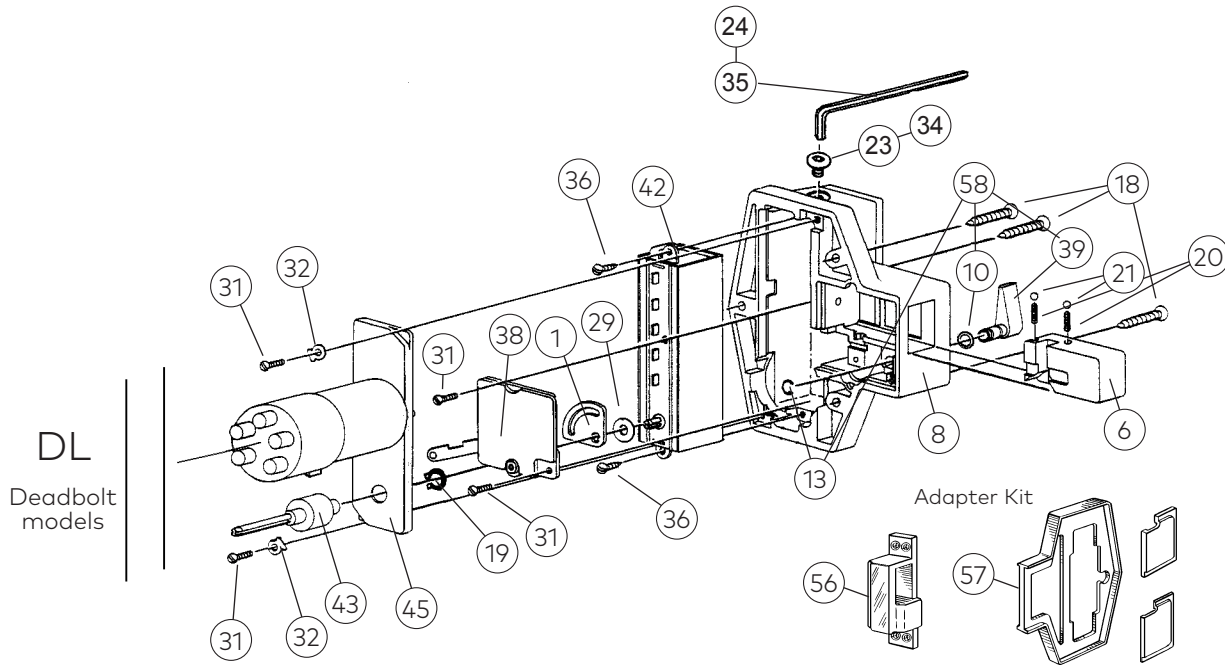
Continued to NL & DL models below

NL
Spring latch models



See Page 6 for
How to Order instructions

Simplex 900 Series



Item	Qty/Lock	Description	Finish	Part Number
1	1	Sector Cam (For Combination Chamber Control Shaft)		2404600001
2	1	Holding Bracket (For attaching face plate to outside of door)		2406300001
4	1	Clip Flange Cover	Satin Chrome	2410826D01
		Clip Flange Cover	Satin Brass	241080401
5	1	Latch Bolt (For Models 9170000, 9190000, 9350000, 9380000, 9290000, NL)	Satin Chrome	3401126D01
		Latch Bolt (For Models 9170000, 9190000, 9350000, 9380000, 9290000, NL)	Satin Brass	340110401
6	1	Deadbolt (For Models 9020000, 9040000, 9060000, 9100000, DL)	Satin Chrome	3401226D01
		Deadbolt (For Models 9020000, 9040000, 9060000, 9100000, DL)	Satin Brass	340120401
7	1	Lock Housing (For Models 9170000, 9190000, 9350000 & 9380000, NL)	Satin Chrome	3402126D01
		Lock Housing (For Models 9170000, 9190000, 9350000 & 9380000, NL)	Satin Brass	340210401
		Lock Housing (For Models 9020000, 9040000, 9060000 & 9100000, DL)	Satin Chrome	3402226D01
		Lock Housing (For Models 9020000, 9040000, 9060000 & 9100000, DL)	Satin Brass	340220401
9	1	Mortise Strike Box	Satin Chrome	3402326D01
		Mortise Strike Box	Satin Brass	340230401
10	2	Nylon Washer, Spacer (For Face Plate and Inside Knob) (10 Pack)		3403700010
11	1	Latch Holdback Button - (For Latch Holdback Assembly) (Include 1 ea. #11, #26, #30, #33)	Satin Chrome	7446926D01
		Latch Holdback Button - (For Latch Holdback Assembly) (Include 1 ea. #11, #26, #30, #33)	Satin Brass	744690401
12	1	Spacer Collar (For Models 9060000 & 9350000)	Satin Chrome	4411226D01
		Spacer Collar (For Models 9060000 & 9350000)	Satin Brass	441120401
13	2	Knob Retainer Ring (For Face Plate and Inside Knob) (5 Pack)		5401100005
14	1	Lock washer (For Key Override Assembly) (10 Pack)		5402900010
15	1	Latch Return Spring (For Models 9170000, 9190000, 9350000, 9380000, 9290000, NL) (10 Pack)		5405000010



Simplex 900 Series

Item	Qty/Lock	Description	Finish	Part Number
16	2	Strike Mounting Screw (#10 x 1") (10 Pack)	Satin Chrome	5405226D10
		Strike Mounting Screw (#10 x 1") (10 Pack)	Satin Brass	540520410
17	1	Flat Strike	Satin Chrome	5405326D01
		Flat Strike	Satin Brass	540530401
18	3	Housing Mounting Screw (#10 x 1 1/2") (10 Pack)	Satin Chrome	5406126D10
		Housing Mounting Screw (#10 x 1 1/2") (10 Pack)	Satin Brass	540610410
19	1	Clutch Retainer Ring (10 Pack)		5407000010
20	2	Spring (For Deadbolt Ball Bearings) (10 Pack)		5407400010
21	2	Ball Bearings (For Deadbolt) (10 Pack)		5407500010
22	2	Holding Bracket Screw (#7 x 1/2" Sheet Metal) (10 Pack)		5407700010
23	1	Allen Head Button Screw (#10 x 3/2) Kit (Includes 1 ea. #23, #24)	Satin Chrome	5408226D01
		Allen Head Button Screw (#10 x 3/2) Kit (Includes 1 ea. #23, #24)	Satin Brass	540820401
24	1	Allen Wrench (1/8") Kit (Includes 1 ea. #23, #24)	Satin Chrome	5408226D01
		Allen Wrench (1/8") Kit (Includes 1 ea. #23, #24)	Satin Brass	540820401
25	1	Shake-proof Spring Washer (For Face Plate Assembly) (10 Pack)		5408400010
26	1	Latch Button Spring (For Latch Holdback Assembly) (Includes 1 ea. #11, #26, #30, #33)	Satin Chrome	7446926D01
		Latch Button Spring (For Latch Holdback Assembly) (Includes 1 ea. #11, #26, #30, #33)	Satin Brass	744690401
27	1	Flange Washer (For Key Override Cylinder)	Satin Chrome	5409726D01
		Flange Washer (For Key Override Cylinder)	Satin Brass	540970401
28	2	Screw (For Securing Key Override Cylinder) (10 Pack)		5409900010
29	2	Washer, Shim (For Combination Chamber) (10 Pack)		5410900010
30	1	Retainer Clip, E-Ring (For Latch Holdback Assembly) (Includes 1 ea. #11, #26, #30, #33)	Satin Chrome	7446926D01
		Retainer Clip, E-Ring (For Latch Holdback Assembly) (Includes 1 ea. #11, #26, #30, #33)	Satin Brass	744690401
31	2	Screw, Panhead (#4 - 40 x 5/16") (For Securing Gear Plate) (10 Pack)		5411700010
32	2	Washer (For Mounting Center Plate) (10 Pack)		5412000010
33	1	Washer (For Latch Holdback Assembly) (Includes 1 ea. #11, #26, #30, #33)	Satin Chrome	7446926D01
		Washer (For Latch Holdback Assembly) (Includes 1 ea. #11, #26, #30, #33)	Satin Brass	744690401
34	1	Tamper Proof Access Screw Kit (Includes 1 ea. #34, #35) (For Combination Change)	Satin Chrome	5413326D01
		Tamper Proof Access Screw Kit (Includes 1 ea. #34, #35) (For Combination Change)	Satin Brass	541330401
35	1	Tamper Proof Allen Wrench Kit (Includes 1 ea. #34, #35) (For Removing Tamper Access Screw)	Satin Chrome	5413326D01
		Tamper Proof Allen Wrench Kit (Includes 1 ea. #34, #35) (For Removing Tamper Access Screw)	Satin Brass	541330401
36	2	Round Head Sheet Metal Screw (#5 x 5/16") (Combination Chamber) (10 Pack)		5414400010
37	1	Key Blank (For Key Override Cylinder)		54266
38	1	Gear Plate Assembly* (For locks without key bypass for Models 9020000, 9040000, DL)		74042200001
		Gear Plate Assembly (For locks without key bypass) (For Models 9170000, 9190000, NL)		7407110001

Simplex 900 Series



Simplex

Item	Qty/Lock	Description	Finish	Part Number
38	1	Gear Plate Assembly* for Key Bypass Locks (For 9350000) (NLM 100)		74162100001
		Gear Plate Assembly* for Key Bypass Locks (For 9380000) (NLM 200)		74163100001
		Gear Plate Assembly* for Key Bypass Locks (For 9060000) (DLM 100)		74164200001
		Gear Plate Assembly* for Key Bypass Locks (For 9100000) (DLM 200)		74167200001
		Gear Plate Assembly* for Key Bypass Locks with Horizontal Style Tail-piece (Best) (DLBM100)		74164400001
		Gear Plate Assembly* for Key Bypass Locks with Horizontal Style Tail-piece (Best) (DLBM200)		74167400001
		Gear Plate Assembly* for Key Bypass Locks with Horizontal Style Tail-piece (Best) (NLBM100)		74162200001
		Gear Plate Assembly* for Key Bypass Locks with Horizontal Style Tail-piece (Best) (NLBM100)		74163200001
42	1	Combination Chamber (M-55) Dimensions: 7/8" x 15/16" x 3 7/8" (22 mm x 24 mm x 98 mm) (Includes 1 ea. #1, #9, #42)		7408000001
43	1	Ball Bearing Clutch Assembly (For connecting outside turn knob) (Includes 1 ea. #19, #43)		7410300001
44	1	Face Plate with Outside Knob (Includes 1 ea. #3, #13, #25, #40; 2 ea. #10)	Satin Chrome	7411826D01
		Face Plate with Outside Knob (Includes 1 ea. #3, #13, #25, #40; 2 ea. #10)	Satin Brass	741180401
45	1	Center Plate and Barrel Assembly with Metal Buttons (100 Series) (For 9020000, 9060000, 9170000, 9350000)	Satin Chrome	7412426D01
		Center Plate and Barrel Assembly with Metal Buttons (100 Series) (For 9020000, 9060000, 9170000, 9350000)	Satin Brass	741240401
		Center Plate and Barrel Assembly with Metal Buttons (200 Series) (For 9040000, 9100000, 9190000, 9380000, 9290000)	Satin Chrome	7412526D01
		Center Plate and Barrel Assembly with Metal Buttons (200 Series) (For 9040000, 9100000, 9190000, 9380000, 9290000)	Satin Brass	741250401
47	1	Key Override Cylinder (For 1 3/4" - 2 1/8" Thick Door)	Satin Chrome	7416126D01
		Key Override Cylinder (For 1 3/4" - 2 1/8" Thick Door)	Satin Brass	741610401
52	1	Trigger Assembly (For NL + NLM Models)	Satin Chrome	7429026D01
		Trigger Assembly (For NL + NLM Models)	Satin Brass	742900401
53	1	Drill Jig "C" Clamp (For wood doors) (Not Shown on Exploded View)		7430000001
54	1	Metal Template (Not Shown on Exploded View)		7430100001
55	1	Clip and Flange Assembly	Satin Chrome	7441426D01
		Clip and Flange Assembly	Satin Brass	744140401
56	1	Surface-mounted Cast Strike (For metal door frames; spacers included) (Not Shown on Exploded View)	Satin Chrome	7446426D01
		Surface-mounted Cast Strike (For metal door frames; spacers included) (Not Shown on Exploded View)	Satin Brass	744640401
57	1	Riser Plate to Shim Lock Housings 1/4" (6 mm) or 3/8" (10 mm) (Not Shown on Exploded View)	Satin Chrome	7446826D01
		Riser Plate to Shim Lock Housings 1/4" (6 mm) or 3/8" (10 mm) (Not Shown on Exploded View)	Satin Brass	744680401
58	1	Latch Holdback Assembly Slide Button Activated for NL + NLM Models (Includes 1 ea. #11, #26, #30, #33)	Satin Chrome	7446926D01
		Latch Holdback Assembly Slide Button Activated for NL + NLM Models (Includes 1 ea. #11, #26, #30, #33)	Satin Brass	744690401



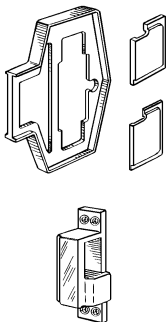
Simplex 900 Series

Item	Qty/Lock	Description	Finish	Part Number
59	1	Outside Knob Assembly – Includes Hardware (Includes 1 ea. #13, #25, #40; 2 ea. #10)	Satin Chrome	7447026D01
		Outside Knob Assembly – Includes Hardware (Includes 1 ea. #13, #25, #40; 2 ea. #10)	Satin Brass	744700401
60	1	Inside Knob Assembly – Includes Hardware (Includes 1 ea. #10, #13, #39)	Satin Chrome	7447126D01
		Inside Knob Assembly – Includes Hardware (Includes 1 ea. #10, #13, #39)	Satin Brass	744710401
Additional Kits & Accessories			Finish	Part Number
		Adapter Kit for Doors with Metal Frames (Includes riser plates and surface strike) - Old Part # 74464/74468)	Satin Brass	8000441
		Adapter Kit for Doors with Metal Frames (Includes riser plates and surface strike) - Old Part # 74464/74468)	Satin Chrome	80026D41
		Face Plate Shield (not for Key Override) Inhibits unauthorized observation of the combination - Satin Chrome finish only (Old part# 2408100001)	Satin Chrome	80526D41
		Master Keys - For Key Override Models (Old part# 54266-1)		54266111
		Cut Keys - Service Keys for Key Override Models (Old part# 54266-2)		54266211
		Blank Keys		54266
		Inside Lever Handle	Satin Brass	744370401
		Inside Lever Handle	Satin Chrome	7443726D01
		Panic Bar Release Kit	Satin Brass	744380401
		Inside Lever Handle	Satin Chrome	7443826D01
		Strike Spacers (10 Pack)	Satin Brass	240950410
		Strike Spacers (10 Pack)	Satin Chrome	2409526D10
		Key Override Tailpiece (5 Pack)		2408600005
		Lubriplate Aero Grease Tubes		6475400001
		Simplex 900 Series Wooden Demo Mount		20305300041

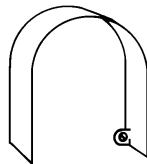
Notes

When ordering replacement cut keys, SL# must be supplied to factory.
Parts availability may be limited on older component parts no longer used in production units.

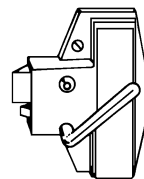
Adapter Kit



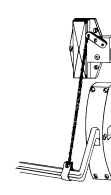
Face Plate Shield



Inside Lever Handle



Panic Bar Release Kit



dormakaba UK & Ireland
Lower Moor Way Tiverton
Devon
EX16 6SS

T: +44 (0)870 000 5625 E:
info.gb@dormakaba.com
www.dormakaba.co.uk