

CAM LOCK CATALOG



ASSA ABLOY, the global leader
in door opening solutions

medeco
ASSA ABLOY

4	Applications
5	Technology Overview
6	Cam Lock Series Overview
8	Warranty
9	Medeco XT Cam Locks
10	High Security UL Listed Cam Locks
11	High Security Solid Brass Cam Locks
12	HD Series Cam Locks
13	DuraCam Cam Locks
14	7-Series Removable Core Cam Locks
15	MVP Cam Locks
16	T-Bolt Cam Locks (Drawer Lock)
17	Installation Instructions and Operation Codes
22	Cams and Accessories
28	Extension Locks

A Proven Reputation for High Security and Performance

Medeco® high security cam locks are well recognized throughout the world as the standard for high security in a wide variety of applications. Medeco mechanical cam locks feature unique cylinder designs that provide unmatched security and flexibility. The Medeco XT Electromechanical Cam Lock takes that security to a whole new level with electronic scheduling, rekeying and audit.



Medeco cam locks are available in a wide variety of standard sizes and functions, along with custom products to meet your specific needs. Locks can be keyed different, keyed alike, or master keyed.

Original Equipment Manufacturer

With experienced product designers, engineers, machinists and toolmakers, Medeco is capable of assisting with the design of custom products and providing rapid prototyping to ensure proper fit into any application.



Applications:

- Safes and lock boxes
- Utility cabinets
- Revenue security
- Equipment access
- Narcotics storage
- Retail fixtures
- Gaming and Lottery Equipment
- Ticket dispensing equipment
- Aviation access and storage
- Parking Equipment
- Custom / OEM
- More

Key Technologies

Medeco XT

Take over forty years of security expertise, add electronic intelligence and the result is Medeco XT. All the security that made Medeco an industry leader is now combined into a smart lock and key system with scheduled access control, complete audit reporting, key expirations and electronic rekeying; without any hard wiring.

Medeco XT



Medeco³

Introduced in 2003, the Medeco³ technology added a secondary locking element lock and key for even greater security and keying capabilities. Medeco³'s patented high security technology provides protection against unauthorized duplication of keys.

Medeco³



Medeco DuraCam and HD Keyways

Unique design and thicker keys provide added durability for those applications that require both high security and extreme durability. DuraCam's patented high security technology provides protection against unauthorized duplication of keys.

DuraCam



Medeco Biaxial

Medeco's second generation of high security designs, Medeco Biaxial enhanced the original Medeco design to once again raise the bar in the security industry.

Medeco Biaxial



Medeco Original

The revolutionary design that changed the security industry and gave consumers a whole new level of security and key control.

Medeco Original



Security and Key Control

A wide variety of options are available to provide manufacturers, distributors, and end users with solutions that best meet their needs.

Electronic Programming – Medeco XT offers the benefits of electronic access control in a key operated lock. Keys are programmed to operate designated locks during a set schedule. Medeco XT locks and keys also record every access and attempted access for full visibility to who went where, and when.

Factory Restricted Key Programs – provide the highest level of security to end users that prefer a mechanical key system. Keys are only duplicated at the Medeco factory and require proper authorization. Key blanks are not available to any Medeco resellers.

Service Center Programs – offer end users fast response when they need locks and keys. Factory Authorized Medeco Service Centers are full service distributors servicing a wide variety of markets. Key control programs are strictly upheld and duplicate keys are provided only with proper authorization.

OEM Manufacturer Programs – are designed to meet the very specific needs of our OEM customers. Depending on the security needs of the end user, these programs can range from Commercial to Factory Restricted.

Commercial Keyway Programs – give end users flexibility for obtaining extra keys by allowing key duplication at a wide variety of professional outlets including authorized locksmiths.

Medeco XT

Medeco XT Cam Locks are part of a complete electronic locking system that allows end users to schedule access, track all access activities and eliminate rekeying costs. Medeco XT keys are electronically programmed to operate only specific locks during a designated schedule. To change access rights, keys simply need to be reprogrammed. Audit information recorded in both the lock and key shows a record of every authorized access and unauthorized attempted access.

Medeco XT cam locks are easy to install. Simply remove the original cam lock and replace it with the Medeco XT. With Medeco XT, all power comes from the key so there is no hard wiring required, allowing access control at virtually any cam lock application.



High Security – UL Listed

Medeco® High Security UL Listed cam locks are ideal for applications that require the highest level of protection against physical attack. These locks feature solid machined brass cylinders with hardened steel inserts to protect against drilling, prying and other types of forced entry.



High Security – Non-UL Listed

Similar to the High Security UL Listed series, Medeco High Security Non-UL Listed Cam Locks are manufactured from solid brass to provide durability and lasting performance. These locks incorporate the same high security operating design found in the UL Listed products without the added cost of hardened drill resistant features.



Medeco Biaxial HD Keyway

Medeco Biaxial HD Keyway Cam Locks feature a wider keyway and an extra heavy duty key for extreme applications requiring higher torque strength. Keys for Medeco Biaxial HD Cam Locks are 33 percent thicker than standard Medeco Biaxial keys.



DuraCam

The Medeco® DuraCam series was specifically designed to meet the demanding requirements of the gaming industry. With a 1/8 inch thick key cut on the broad side instead of on top, DuraCam offers one of the strongest keys in the market; guaranteed against breakage.



7 Series Removable Core

Medeco cam locks are also available with a Removable Core feature. This allows the core of the lock to be changed quickly, providing an entirely new combination. Removable Core cam locks are recommended for applications where immediate action is required when keys are lost or stolen.



MVP

Medeco® MVP cam locks are designed to offer a cost effective solution without compromising on key control and pick resistance. MVP cam locks are manufactured from high density zinc die cast, and offer the same key control advantages as well as pick resistance of standard Medeco cam locks.



Medeco T-Bolt Cam Lock

Medeco T-Bolt cam locks are designed for use in desk drawers or other applications requiring vertical or horizontal motion of the bolt (cam) to unlock. Similar in function to deadbolt cabinet locks, T-Bolt cam locks are ready to fit the same standard 3/4 inch double D hole prep as conventional cam locks. 180° clockwise rotation of key retracts bolt 5/16 inch. Medeco T-Bolt cam locks are UL Listed and available in both key retaining and non-key retaining.



***Which technology is right for you?
For more information go to
www.medeco.com/camlocks***

Medeco® Warranty for Mechanical and Electromechanical Products

Medeco Security Locks Inc. (“Medeco”) warrants to the original purchaser of a Medeco branded lock, lock cylinder, or electromechanical door hardware product (referred to collectively as “Product”) to be free of defects in material and/or workmanship for a period of two (2) years from the date of original purchase for use. This Warranty may also apply to other specific products. For additional Warranty information or Warranty claim service contact Medeco Customer Service at (800) 839-3157 or in Canada (888) 633-3264.

In the event of a defect in material or workmanship during the Warranty period, Medeco will repair or replace (at its option) the Product under the conditions of this Warranty, this action being the sole remedy available to the purchaser under this express limited Warranty.

Limitations, Exclusions and other Rights:

- a. Medeco disclaims liability for implied warranties including but not limited to those of merchantability or fitness for any particular purpose.
- b. Medeco disclaims liability for indirect, incidental or consequential damage at any time.
- c. Medeco warrants that Maxum deadbolt products are free from defects in materials and workmanship for the life of the product. This warranty does not cover defects or damage arising from improper installation, lack of or improper maintenance, ordinary wear and tear, misuse, abuse, or accident.
- d. This Warranty gives specific legal rights and a buyer may also have other rights that may vary from state to state. Some states do not allow limitations on indirect, incidental, and consequential damages or implied warranties so that the above limitations may not fully apply.
- e. Medeco keyblanks are made from a special nickel silver alloy. Medeco warrants its keys against defects in workmanship or breakage for the life of the Product. Bitted Medeco keys must be precisely cut to exact angles and depths, and require special duplication. This Warranty shall be void and Medeco disclaims liability of any kind in the event any key other than a genuine Medeco key has been used with the Product or that the key has been cut on any machine other than a Medeco or Medeco-approved key cutting machine.
- f. Medeco shall not be held responsible for damage arising from, in its sole judgment, improper installation, failure to provide normal maintenance, extreme environmental conditions, use rates in excess of the industry standards defined for the type of product, use of incompatible parts or products not made or authorized by Medeco, or application of force not resulting from normal use.
- g. Unless otherwise specified by separate warranty, finishes are warranted for a period of two years following purchase for use. This finish Warranty shall be considered void after installation if, in the sole judgment of Medeco, the damage to the finish is the direct result of extreme climatic conditions, chemical or abrasive actions.

Medeco XT

Cam Lock



Features:

- Medeco XT cam locks provide strong physical security with electronic access control functionality.

Mechanical Specifications:

- Stainless steel shell and front disc
- Gold plated data contacts
- Key retaining (single key pull)
- Fits standard 3/4" cam lock hole prep
- Drill and tamper resistant
- Indoor and outdoor use
- Cams sold separately

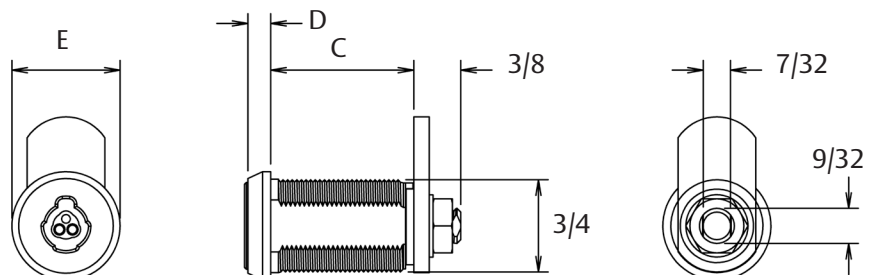
Electronic Specifications:

- Lock holds up to 2000 audit events
- No hard wiring required, all power is provided by the key
- Encrypted data communication
- All access programming performed through the key
- Lock can hold black-list of unauthorized keys

Keyways:

- Medeco XT

Part Number	Body Length (C)	Head Thickness (D)	Head Diameter (E)
EN-150002	0.875 7/8	0.438 7/16	0.875 7/8
EN-150003	1.125 1 1/8	0.188 3/16	0.875 7/8



High Security – UL Listed Cam Lock



Features:

- Medeco High Security UL Listed cam locks feature hardened inserts for the best protection against physical attack.

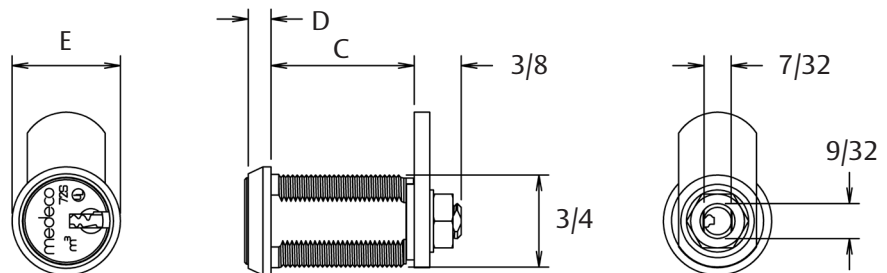
Mechanical Specifications:

- UL437 Listed
- Machined brass plug with hardened inserts
- Machined brass outer shell
- Keyed alike or keyed different
- Master keyed with other cam lock style products
- Key retaining or multiple key pulls
- Clockwise or counterclockwise rotation
- Standard finish: brushed chrome
- Special finishes available
- Fits standard 3/4" cam lock hole prep
- Cams sold separately

Part Number	Body Length (C)	Head Thickness (D)	Head Diameter (E)	Number of Pins
60-1251 T	0.620 5/8	0.183 3/16	0.865 7/8	3
60-0850 T	0.615 5/8	0.337 3/8	0.865 7/8	4
60-1150 T	0.625 5/8	0.497 1/2	0.990 1	5
60-0550 T	0.870 7/8	0.183 3/16	0.865 7/8	4
60-0350 T	0.857 7/8	0.265 1/4	0.865 7/8	5
60-0650 T	1.145 1-1/8	0.183 3/16	0.865 7/8	5
60-1450 T	1.526 1 1/2	0.183 3/16	0.865 7/8	5
60-1452 T	1.992 2	0.265 1/4	0.865 7/8	5

Keyways:

- Medeco Original
- Medeco Biaxial
- Medeco³



High Security – Solid Brass Cam Lock



Features:

- Medeco High Security solid brass cam locks are ideal for applications where durability and key control are the primary concerns.

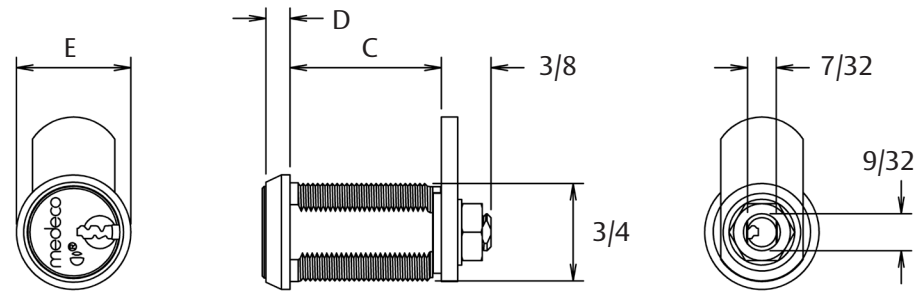
Mechanical Specifications:

- Machined brass plug and outer shell
- Keyed alike or keyed different
- Master keyed with other cam lock style products
- Key retaining or multiple key pulls
- Clockwise or counterclockwise rotation
- Standard finish: brushed chrome
- Special finishes available
- Fits standard 3/4" cam lock hole prep
- Cams sold separately

Part Number	Body Length (C)	Head Thickness (D)	Head Diameter (E)	Number of Pins
60-61555T	0.625 5/8	0.497 1/2	0.990 1	5
60-63555T	0.857 7/8	0.265 1/4	0.865 7/8	5
60-65555T	1.145 1 1/8	0.183 3/16	0.865 7/8	5

Keyways:

- Medeco Original
- Medeco Biaxial
- Medeco³



HD Series Cam Lock



Features:

- HD Series solid brass cam locks feature an extra thick keyway and heavy duty key for higher torque applications where key breakage is a concern.

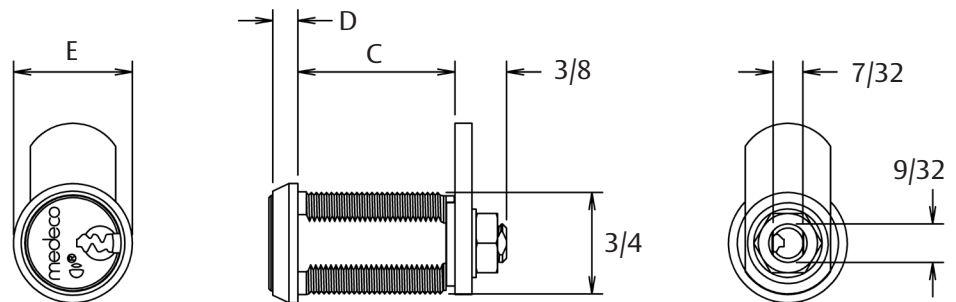
Mechanical Specifications:

- Machined brass plug and outer shell
- Keyed alike or keyed different
- Master keyed with other cam lock style products
- Key retaining or multiple key pulls
- Clockwise or counterclockwise rotation
- Standard finish: brushed chrome
- Special finishes available
- Fits standard 3/4" cam lock hole prep
- Cams sold separately

Part Number	Body Length (C)	Head Thickness (D)	Head Diameter (E)	Number of Pins
60-61755T	0.625 5/8	0.497 1/2	0.990 1	5
60-63755T	0.857 7/8	0.265 1/4	0.865 7/8	5
60-65755T	1.145 1 1/8	0.183 3/16	0.865 7/8	5

Keyways:

- HD Series Biaxial



DuraCam Cam Lock



Features:

- DuraCam cam locks feature a unique side cut heavy duty key technology for applications that require the highest levels of key cycles.

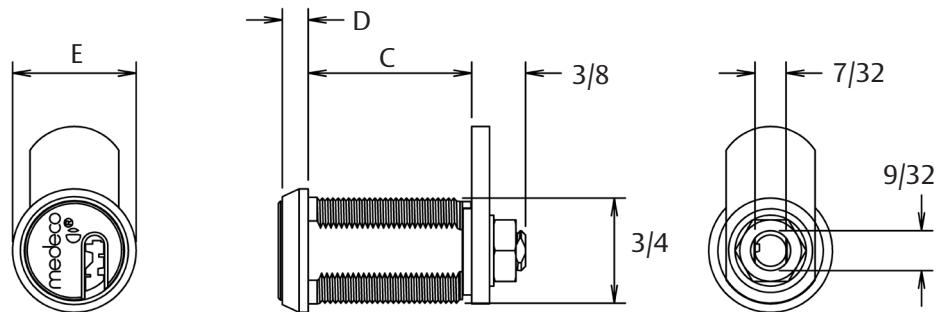
Mechanical Specifications:

- Machined brass plug and outer shell
- Keyed alike or keyed different
- DuraCam locks cannot be master keyed
- Key retaining or multiple key pulls
- Clockwise or counterclockwise rotation
- Standard finish: brushed chrome
- Special finishes available
- Fits standard 3/4" cam lock hole prep
- Cams sold separately

Part Number	Body Length (C)	Head Thickness (D)	Head Diameter (E)	Number of Pins
60-62654T	0.687 11/16	0.265 1/4	0.865 7/8	4
60-62655T	0.687 11/16	0.435 7/16	0.956 1	5
60-63655T	0.857 7/8	0.265 1/4	0.865 7/8	5
60-65655T	1.145 1 1/8	0.183 3/16	0.865 7/8	5
60-66655T	1.526 1 1/2	0.183 3/16	0.865 7/8	5

Keyways:

- DuraCam Biaxial



7 Series Removable Core Cam Lock



Features:

- 7 Series Removable Core cam locks offer the security and convenience of removable core in the smaller footprint of a standard 3/4" diameter cam lock.

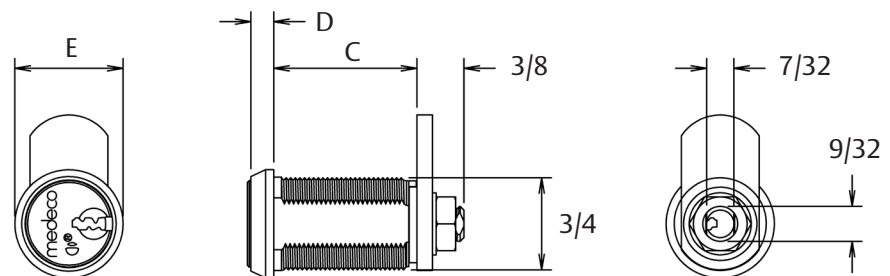
Mechanical Specifications

- Special "control" key removes the cam lock plug for fast and secure combination change / rekey
- Operating key operates the lock without removing the core
- Machined brass plug and outer shell
- Keyed alike or keyed different
- Master keyed with other cam lock style products
- Key retaining or multiple key pulls
- Clockwise or counterclockwise rotation
- Standard finish: brushed chrome
- Special finishes available
- Fits standard 3/4" cam lock hole prep
- Cams sold separately

Keyways

- Medeco Biaxial
- HD Biaxial
- DuraCam Biaxial
- Medeco³

Part Number	Body Length (C)	Head Thickness (D)	Head Diameter (E)	Number of Pins
Medeco³, Original, Biaxial				
60-7155T	0.687 11/16	0.640 5/8	0.995 1	4
60-7255T	0.910 7/8	0.418 7/16	0.955 1	4
60-7355T	1.145 1-1/8	0.183 3/16	0.865 7/8	4
DuraCam Biaxial				
60-7165T	0.687 11/16	0.640 5/8	0.995 1	4
60-7265T	0.910 7/8	0.418 7/16	0.955 1	4
60-7365T	1.145 1-1/8	0.183 3/16	0.865 7/8	4
HD Series Biaxial				
60-7175T	0.687 11/16	0.640 5/8	0.995 1	4
60-7275T	0.910 7/8	0.418 7/16	0.955 1	4
60-7375T	1.145 1-1/8	0.183 3/16	0.865 7/8	4



MVP Cam Lock



Features:

- MVP cam locks feature a high quality zinc die cast construction for security and key control at an economical price.

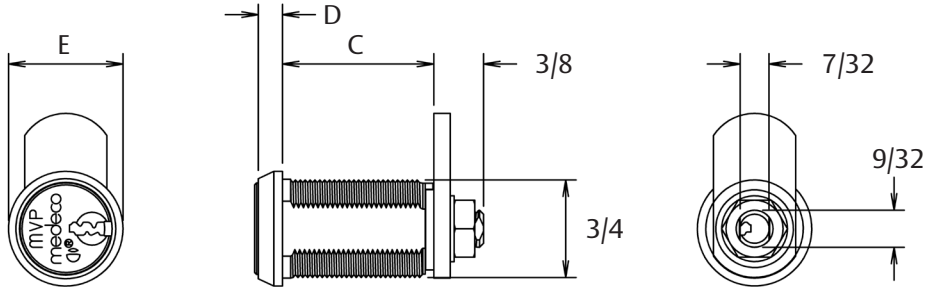
Mechanical Specifications:

- High density zinc die cast plug and outer shell
- Keyed alike or keyed different
- Master keyed with other cam lock style products
- Key retaining or multiple key pulls
- Clockwise or counterclockwise rotation
- Standard finish: chrome
- Fits standard 3/4" cam lock hole prep
- Cams sold separately

Part Number	Body Length (C)	Head Thickness (D)	Head Diameter (E)	Number of Pins
8W1251 T	0.620 5/8	0.183 3/16	0.870 7/8	3
80W0650 T	1.145 1-1/8	0.183 3/16	0.870 7/8	3

Keyways:

- Medeco Original
- Medeco Biaxial



T-Bolt Cam Lock



Features:

- T-Bolt cam locks feature a deadbolt style cam commonly used in furniture and cabinet applications.

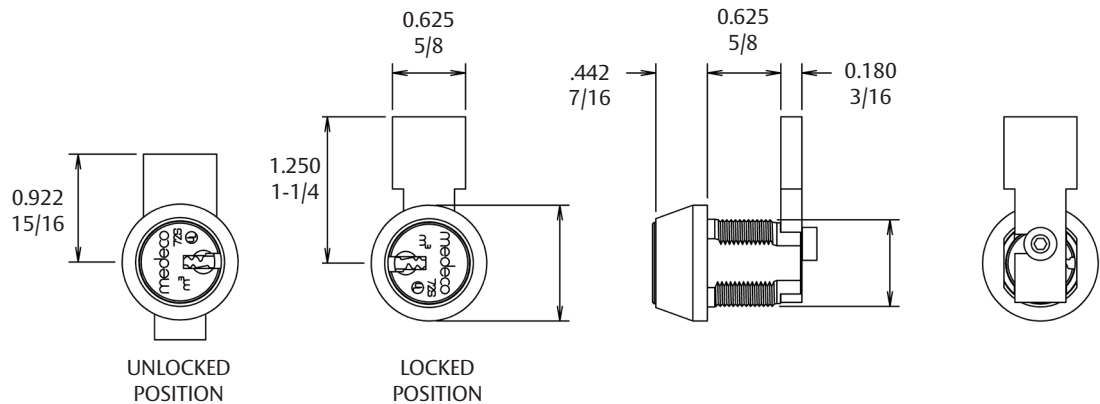
Mechanical Specifications:

- UL437 Listed
- Machined brass plug and outer shell
- Steel bolt, 5/16" travel
- Keyed alike or keyed different
- Master keyed with other cam lock style products
- Key retaining or two key pull
- Standard finish: brushed chrome
- Special finishes available
- Fits standard 3/4" standard cam lock hole prep

Part Number	Lock Function / Key Pull	Number of Pins
62-80550	Key Retaining - Single Key Pull Key removed in locked position only	5
62-82550	Non-Key Retaining - Two Key Pull Key removed in locked or unlocked position	5

Keyways:

- Medeco Original
- Medeco Biaxial
- Medeco³



Selecting a Medeco cam lock for your application:

1. Select the lock technology and series (see pages 9 - 15)
2. Determine the dimensions and then the model number
3. Determine the required function / operation code (see below)
4. If a cam is needed, select the proper cam using the mounting specifications (see pages 18 - 21) and cam specifications (see pages 22 - 25)

Medeco Cam Lock Part Number Configurations

Model Number	Operation Code	Finish	“Cam Lock Operation Code” – Describes the function of the lock. Direction of key turn, rotation, key retaining or two key-pull.
XX _ XXXXX	XXX	26	

Cam Lock Operation Codes – Fixed Core Cam Locks

Describes the function of the lock

Operation Code	Rotation Distance	Direction to Unlock	Key Retaining or 2 Key Pull
219	90°	Clockwise	Key Retaining
229	90°	Clockwise	2 Key Pull
239	90°	Counter-clockwise	Key Retaining
249	90°	Counter-clockwise	2 Key Pull
259	180°	Clockwise	Key Retaining
269	180°	Clockwise	2 Key Pull
279	180°	Counter-clockwise	Key Retaining
289	180°	Counter-clockwise	2 Key Pull

Note: **Key Retaining** – Key is removable in the locked position only.

2 Key Pull – Key is removable in both the locked and unlocked positions.

Cam Lock Operation Codes – Removable Core Cam Locks

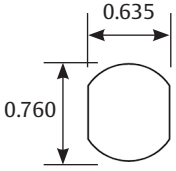
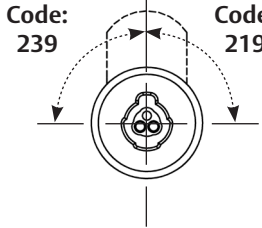
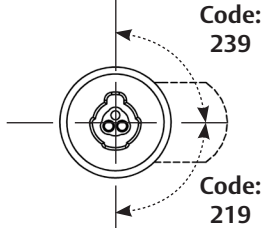
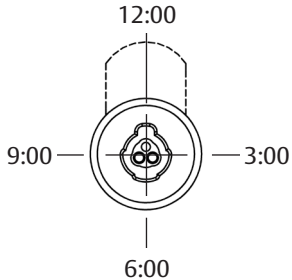
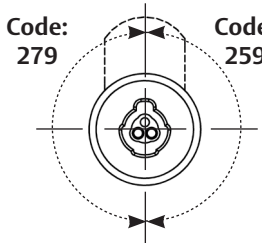
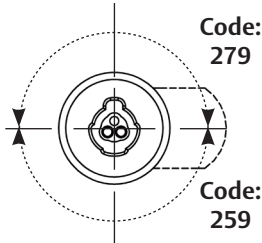
Describes the function of the lock

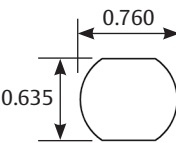
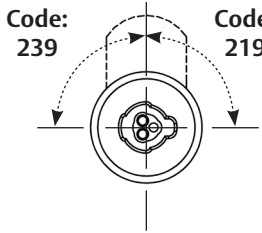
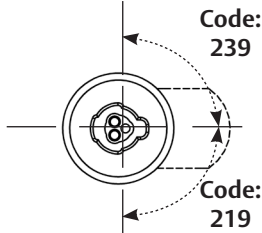
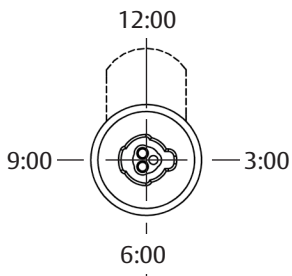
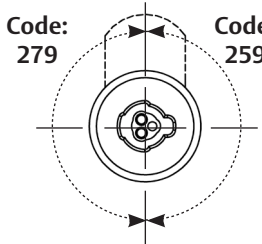
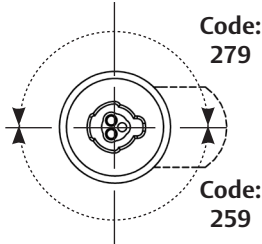
Operation Code	Rotation Distance	Direction to Unlock	Key Retaining or 2 Key Pull
219	90°	Clockwise	Key Retaining
239	90°	Counter-clockwise	Key Retaining
259	180°	Clockwise	Key Retaining
279	180°	Counter-clockwise	Key Retaining

Note: **Removable core cam locks are available in key retaining only.**

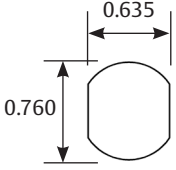
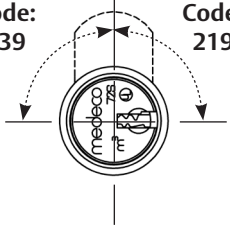
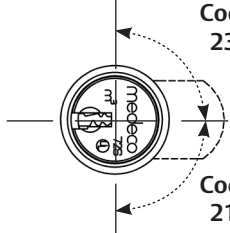
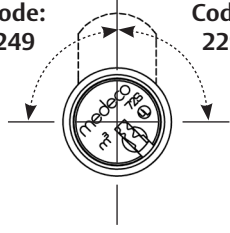
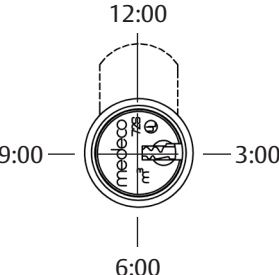
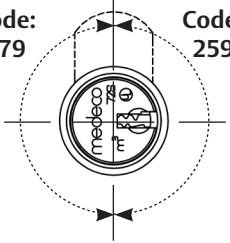
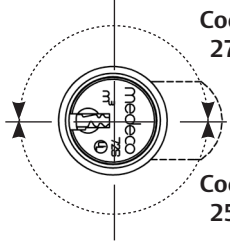
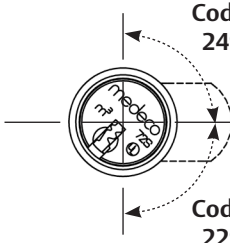
Medeco XT

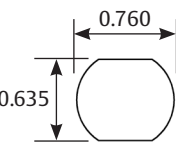
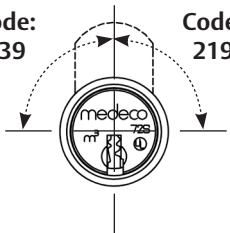
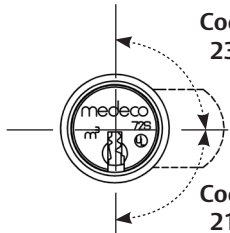
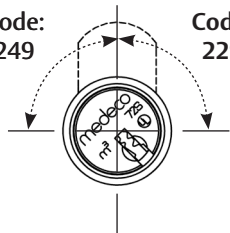
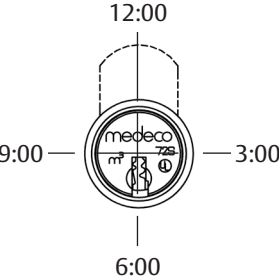
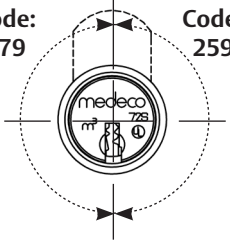
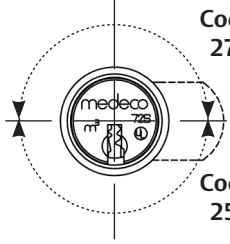
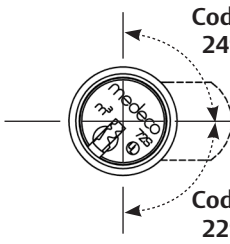
Mounting Hole Specifications – Keyway and Cam Positions

	Key Retaining	Key Retaining	Two Key Pull
Hole Prep #1 Vertical Mounting Flats 	Locked: 12:00 or 6:00 90 Degree Turn Cam Series: A, H, G & K (Type 1) Code: 239  Code: 219	Locked: 3:00 or 9:00 90 Degree Turn Cam Series: D, J, G & K (Type 2) Code: 239  Code: 219	Available in Key Retaining Operation Only
Locked Positions 	Locked: 12:00 or 6:00 180 Degree Turn Cam Series: A, H, G & K (Type 1) Code: 279  Code: 259	Locked: 3:00 or 9:00 180 Degree Turn Cam Series: D, J, G & K (Type 2) Code: 279  Code: 259	Available in Key Retaining Operation Only

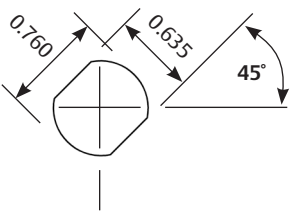
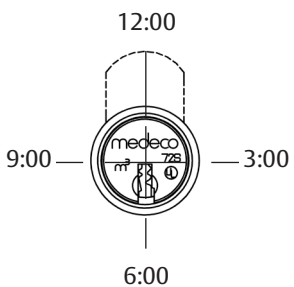

	Key Retaining	Key Retaining	Two Key Pull
Hole Prep #2 Horizontal Mounting Flats 	Locked: 12:00 or 6:00 90 Degree Turn Cam Series: D, J, G & K (Type 2) Code: 239  Code: 219	Locked: 3:00 or 9:00 90 Degree Turn Cam Series: A, H, G & K (Type 1) Code: 239  Code: 219	Available in Key Retaining Operation Only
Locked Positions 	Locked: 12:00 or 6:00 180 Degree Turn Cam Series: D, J, G & K (Type 2) Code: 279  Code: 259	Locked: 3:00 or 9:00 180 Degree Turn Cam Series: A, H, G & K (Type 1) Code: 279  Code: 259	Available in Key Retaining Operation Only

Medeco³, Medeco Biaxial, Medeco Original and HD Keyways Mounting Hole Specifications – Keyway and Cam Positions

	Key Retaining	Key Retaining	Two Key Pull
Hole Prep #1 Vertical Mounting Flats 	Locked: 12:00 or 6:00 90 Degree Turn Cam Series: A, H, G & K (Type 1) Code: 239 Code: 219 	Locked: 3:00 or 9:00 90 Degree Turn Cam Series: D, J, G & K (Type 2) Code: 239  Code: 219	Locked: 12:00 or 6:00 90 Degree Turn Cam Series: C, P, S Code: 249 Code: 229 
Locked Positions 	Locked: 12:00 or 6:00 180 Degree Turn Cam Series: A, H, G & K (Type 1) Code: 279 Code: 259 	Locked: 3:00 or 9:00 180 Degree Turn Cam Series: D, J, G & K (Type 2) Code: 279  Code: 259	Locked: 3:00 or 9:00 90 Degree Turn Cam Series: C, P, S Code: 249  Code: 229

	Key Retaining	Key Retaining	Two Key Pull
Hole Prep #2 Horizontal Mounting Flats 	Locked: 12:00 or 6:00 90 Degree Turn Cam Series: D, J, G & K (Type 2) Code: 239 Code: 219 	Locked: 3:00 or 9:00 90 Degree Turn Cam Series: A, H, G & K (Type 1) Code: 239  Code: 219	Locked: 12:00 or 6:00 90 Degree Turn Cam Series: C, P, S Code: 249 Code: 229 
Locked Positions 	Locked: 12:00 or 6:00 180 Degree Turn Cam Series: D, J, G & K (Type 2) Code: 279 Code: 259 	Locked: 3:00 or 9:00 180 Degree Turn Cam Series: A, H, G & K (Type 1) Code: 279  Code: 259	Locked: 3:00 or 9:00 90 Degree Turn Cam Series: C, P, S Code: 249  Code: 229

Medeco³, Medeco Biaxial, Medeco Original and HD Keyways (cont.)
Mounting Hole Specifications – Keyway and Cam Positions

	Two Key Pull		Key Retaining
<p>Hole Prep #3 45 Degree Angled Mounting Flats</p> 	<p>Locked & Unlocked Positions Codes: 229 and 249</p> 	<p>Locked: 12:00 or 6:00 90 Degree Turn Cam Series: C, P, S</p> 	<p>Not Available.</p> <p>Cam locks with Operation Codes 229 and 249 are used for 90 degree two key pull applications only.</p>

Custom Sizes and Operations:

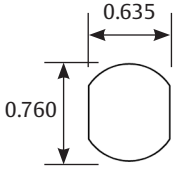
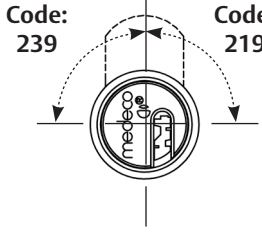
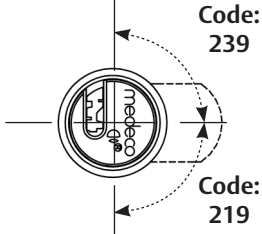
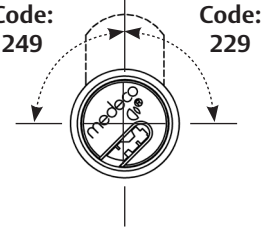
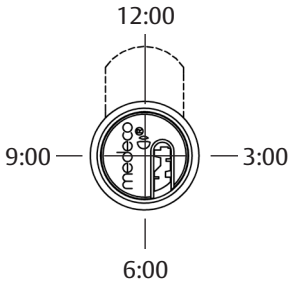
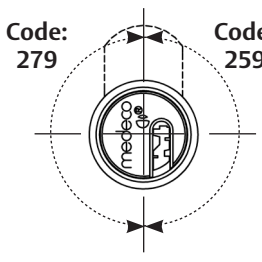
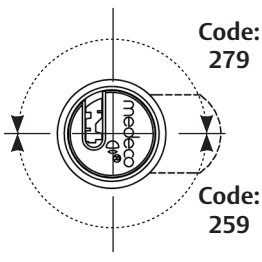
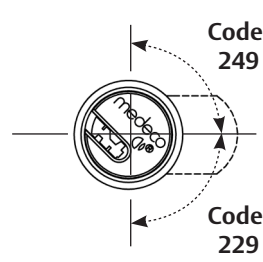
Medeco specializes in cam locks manufactured to custom sizes (not listed in the catalog) and functions for specific OEM applications. Custom cam locks may include, but are not limited to, the following features:

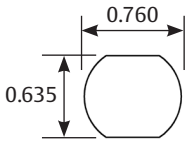
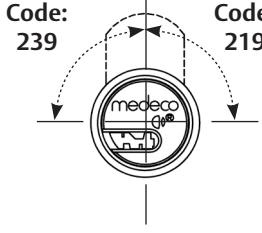
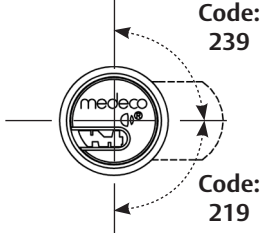
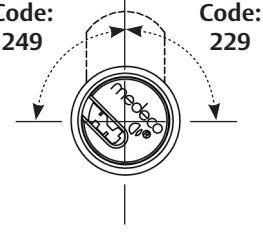
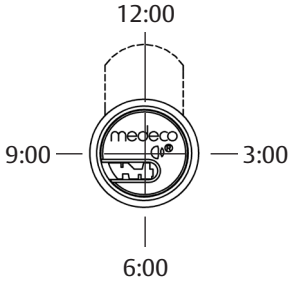
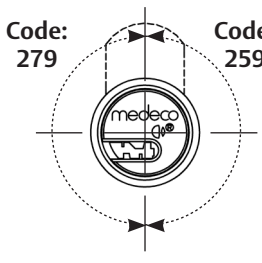
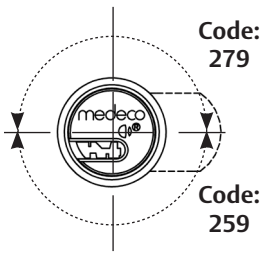
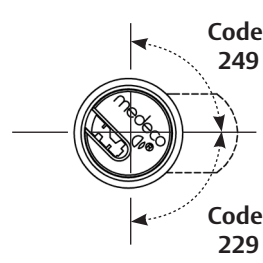
- Custom lengths
- Special materials
- Custom finishes
- Single or multiple flats
- Larger diameter
- Multiple key pulls, up to eight positions
- Custom cams and extensions

For information on custom cam locks, contact Medeco Engineered Security Solutions at 1-877-633-3261.

DuraCam

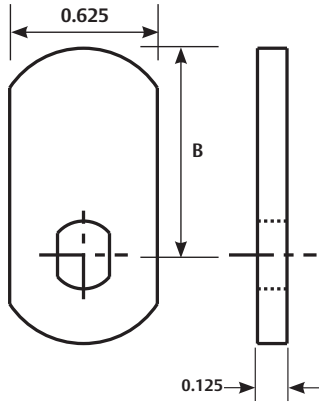
Mounting Hole Specifications – Keyway and Cam Positions

	Key Retaining	Key Retaining	Two Key Pull
Hole Prep #1 Vertical Mounting Flats 	Locked: 12:00 or 6:00 90 Degree Turn Cam Series: A, H, G & K (Type 1) Code: 239 Code: 219 	Locked: 3:00 or 9:00 90 Degree Turn Cam Series: D, J, G & K (Type 2) Code: 239 Code: 219 	Locked: 12:00 or 6:00 90 Degree Turn Cam Series: C, P, S Code: 249 Code: 229 
Locked Positions 	Locked: 12:00 or 6:00 180 Degree Turn Cam Series: A, H, G & K (Type 1) Code: 279 Code: 259 	Locked: 3:00 or 9:00 180 Degree Turn Cam Series: D, J, G & K (Type 2) Code: 279 Code: 259 	Locked: 3:00 or 9:00 90 Degree Turn Cam Series: C, P, S Code: 249 Code: 229 

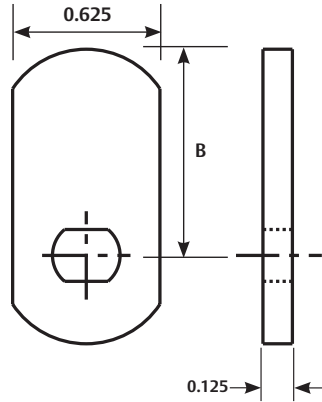
	Key Retaining	Key Retaining	Two Key Pull
Hole Prep #2 Horizontal Mounting Flats 	Locked: 12:00 or 6:00 90 Degree Turn Cam Series: D, J, G & K (Type 2) Code: 239 Code: 219 	Locked: 3:00 or 9:00 90 Degree Turn Cam Series: A, H, G & K (Type 1) Code: 239 Code: 219 	Locked: 12:00 or 6:00 90 Degree Turn Cam Series: C, P, S Code: 249 Code: 229 
Locked Positions 	Locked: 12:00 or 6:00 180 Degree Turn Cam Series: D, J, G & K (Type 2) Code: 279 Code: 259 	Locked: 3:00 or 9:00 180 Degree Turn Cam Series: A, H, G & K (Type 1) Code: 279 Code: 259 	Locked: 3:00 or 9:00 90 Degree Turn Cam Series: C, P, S Code: 249 Code: 229 

Flat Cams

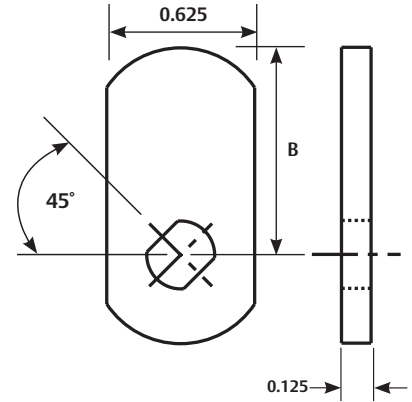
**CT-A Series
Parallel Mounting**



**CT-D Series
Perpendicular Mounting**



**CT-C Series
45° Angle Mounting**



B - Length

Part #

0.625

CT-A00

0.750

CT-A01

0.875

CT-A02

1.000

CT-A03

1.125

CT-A04

1.250

CT-A05

1.375

CT-A06

1.500

CT-A07

1.750

CT-A09

2.000

CT-A11

2.250

CT-A13

2.500

CT-A15

3.000

CT-A19

B - Length

Part #

0.625

CT-D00

0.750

CT-D01

0.875

CT-D02

1.000

CT-D03

1.125

CT-D04

1.250

CT-D05

1.375

CT-D06

1.500

CT-D07

1.750

CT-D09

2.000

CT-D11

2.250

CT-D13

2.500

CT-D15

3.000

CT-D19

B - Length

Part #

0.625

CT-C00

0.750

CT-C01

0.875

CT-C02

1.000

CT-C03

1.125

CT-C04

1.250

CT-C05

1.375

CT-C06

1.500

CT-C07

1.750

CT-C09

2.000

CT-C11

2.250

CT-C13

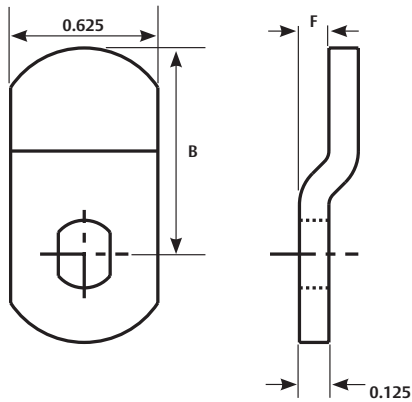
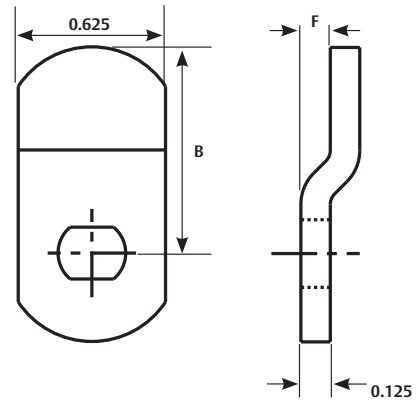
2.500

CT-C15

3.000

CT-C19

Offset Cams

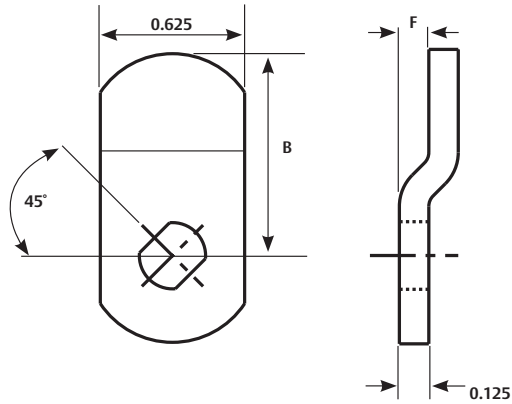
CT-H Series
Parallel MountingCT-J Series
Perpendicular Mounting

B - Length	F - Offset	Part #	B - Length	F - Offset	Part #
1.125	0.125	CT-H09	1.125	0.125	CT-J06
1.125	0.156	CT-H26	1.125	0.156	CT-J22
1.125	0.219	CT-H07	1.125	0.219	CT-J01
1.125	0.313	CT-H16	1.125	0.313	CT-J13
1.25	0.125	CT-H00	1.25	0.125	CT-J07
1.25	0.156	CT-H28	1.25	0.156	CT-J00
1.25	0.219	CT-H15	1.25	0.219	CT-J12
1.25	0.313	CT-H17	1.25	0.313	CT-J14
1.50	0.125	CT-H33	1.50	0.125	CT-J04
1.50	0.156	CT-H34	1.50	0.156	CT-J31
1.50	0.219	CT-H14	1.50	0.219	CT-J30
1.50	0.313	CT-H32	1.50	0.313	CT-J27
1.75	0.125	CT-H11	1.75	0.125	CT-J09
1.75	0.156	CT-H06	1.75	0.156	CT-J24
1.75	0.219	CT-H30	1.75	0.219	CT-J20
1.75	0.313	CT-H19	1.75	0.313	CT-J16
2.00	0.125	CT-H12	2.00	0.125	CT-J10
2.00	0.156	CT-H05	2.00	0.156	CT-J25
2.00	0.219	CT-H25	2.00	0.219	CT-J26
2.00	0.313	CT-H20	2.00	0.313	CT-J17

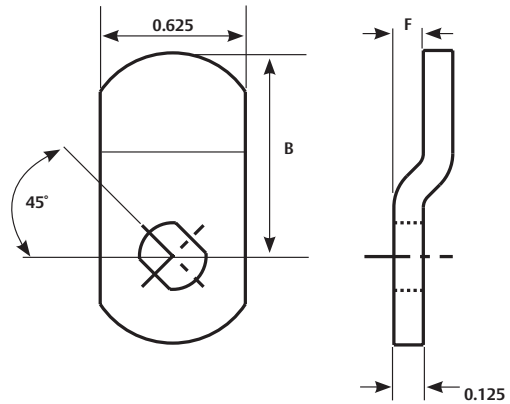
Table dimensions $\pm 1/32$ inch

Offset Cams

CT-P Series
45° Angle Mounting



CT-S Series
45° Angle Mounting



B - Length **F - Offset** **Part #**

1.125 0.125 CT-P10

1.125 0.156 CT-P02

1.125 0.219 CT-P08

1.125 0.313 CT-P17

1.25 0.125 CT-P03

1.25 0.156 CT-P27

1.25 0.219 CT-P16

1.25 0.313 CT-P00

1.50 0.125 CT-P31

1.50 0.156 CT-P32

1.50 0.219 CT-P15

1.50 0.313 CT-P30

1.75 0.125 CT-P12

1.75 0.156 CT-P07

1.75 0.219 CT-P29

1.75 0.313 CT-P20

2.00 0.125 CT-P13

2.00 0.156 CT-P06

2.00 0.219 CT-P26

2.00 0.313 CT-P21

B - Length **F - Offset** **Part #**

1.125 0.125 CT-S10

1.125 0.156 CT-S02

1.125 0.219 CT-S08

1.125 0.313 CT-S17

1.25 0.125 CT-S03

1.25 0.156 CT-S27

1.25 0.219 CT-S16

1.25 0.313 CT-S00

1.50 0.125 CT-S31

1.50 0.156 CT-S32

1.50 0.219 CT-S15

1.50 0.313 CT-S30

1.75 0.125 CT-S12

1.75 0.156 CT-S07

1.75 0.219 CT-S29

1.75 0.313 CT-S20

2.00 0.125 CT-S13

2.00 0.156 CT-S06

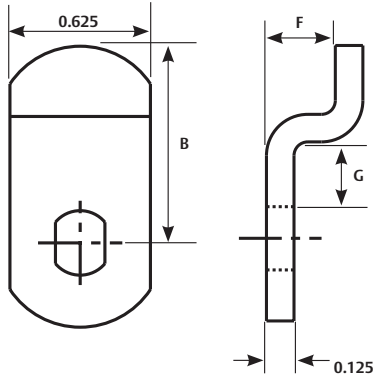
2.00 0.219 CT-S26

2.00 0.313 CT-S21

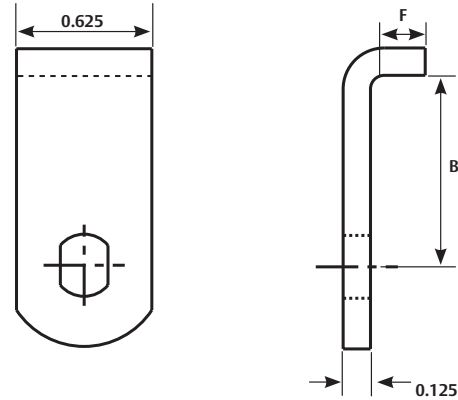
Table dimensions $\pm 1/32$ inch

Offset Cams – 90 Degree Offset

CT-G Series
Parallel, Perpendicular and 45° Angle
(Note type listed below)



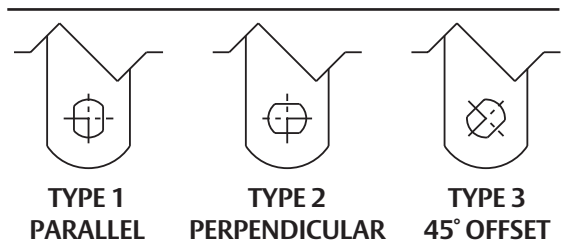
CT-K Series - 90° Bent Cam
Parallel, Perpendicular and 45° Angle
(Note type listed below)



B - Length	F - Offset	G - Bend	Type	Part #
0.750	1.000	0.250	1	CT-G02
0.850	0.670	0.400	1	CT-G05
0.875	0.312	0.438	1	CT-G09
0.875	0.312	0.438	2	CT-G51
0.875	0.500	0.400	1	CT-G07
1.125	0.451	0.437	2	CT-G55
1.125	0.451	0.500	1	CT-G11
1.250	0.542	0.356	3	CT-G98
1.250	0.546	0.500	1	CT-G03
1.250	0.546	0.500	3	CT-G99
1.375	0.546	0.750	1	CT-G04
1.500	0.500	0.562	1	CT-G06
1.500	0.500	0.562	2	CT-G56
1.500	0.546	0.750	1	CT-G01
1.500	0.546	0.750	2	CT-G53
1.500	0.562	0.562	1	CT-G08
1.625	0.451	0.437	2	CT-G57

B - Length	F - Offset	Type	Part #
0.437	0.594	1	CT-K13
0.470	0.250	1	CT-K12
0.700	0.420	1	CT-K02
0.750	0.375	3	CT-K15
0.750	0.650	1	CT-K05
0.875	0.250	1	CT-K10
0.900	0.250	1	CT-K14
0.937	0.405	1	CT-K01
1.279	0.276	1	CT-K07
1.312	0.578	1	CT-K08
1.312	0.578	3	CT-K09
1.312	0.578	2	CT-K11
1.500	0.594	1	CT-K00
1.562	0.250	2	CT-K06

G-Series and K-Series
CAM MOUNTING TYPES



Hardened Security Collars

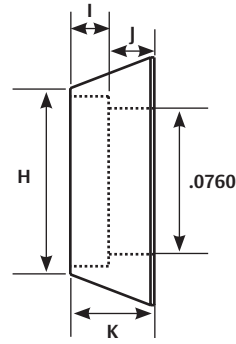
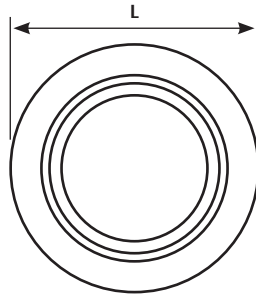
H = Head Diameter

I = Head Thickness

J = Offset

K = Collar Thickness

L = Collar Diameter

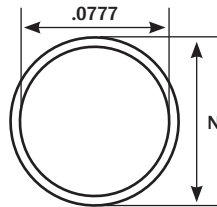


(H)	(I)	(J)	(K)	(L)	Part #
0.885	0.142	0.170	0.312	1.210	CP-070131
0.885	0.188	0.250	0.438	1.356	CP-070161
0.885	0.200	0.238	0.438	1.290	CP-070171
0.885	0.260	0.070	0.330	1.210	CP-070441
0.885	0.262	0.050	0.312	1.210	CP-070201
0.885	0.278	0.160	0.438	1.290	CP-070111
0.885	0.325	0.050	0.375	1.275	CP-070141
1.000	0.142	0.170	0.312	1.290	CP-070501
1.000	0.450	0.050	0.500	1.240	CP-070181
1.012	0.638	0.050	0.688	1.313	CP-070481

Spacer Rings

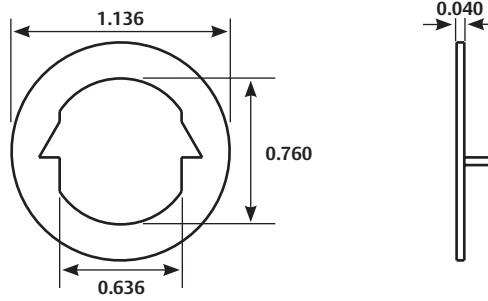
M = Spacer Thickness

N = Head Diameter



(N)	(M)	Part #	(N)	(M)	Part #
0.875	0.031	CP-160541	0.875	0.313	CP-160571
0.875	0.063	CP-160551	0.875	0.375	CP-160301
0.875	0.125	CP-160051	0.875	0.400	CP-160121
0.875	0.140	CP-160101	0.875	0.438	CP-160271
0.875	0.188	CP-160071	0.875	0.530	CP-160061
0.875	0.200	CP-160111	0.995	0.063	CP-160591
0.875	0.250	CP-160081	0.995	0.125	CP-160601
0.875	0.275	CP-160091	0.995	0.250	CP-160611

Double D Spur Washer

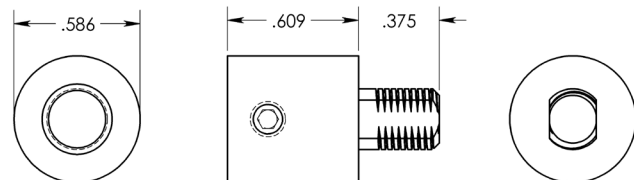


Used to provide double "D" mounting for cam lock applications on wood surfaces.
Requires a 3/4 inch predrilled mounting hole.

5/8 Inch Cam Lock Extension

Adds 5/8 inch length to standard cam locks.
Screw on attachment with set screw fastening.

Part #
96-0335



Extension Lock



Features:

- Medeco threaded extension locks utilize a modified Medeco cam lock with a special design to operate with a threaded extension for extreme applications.

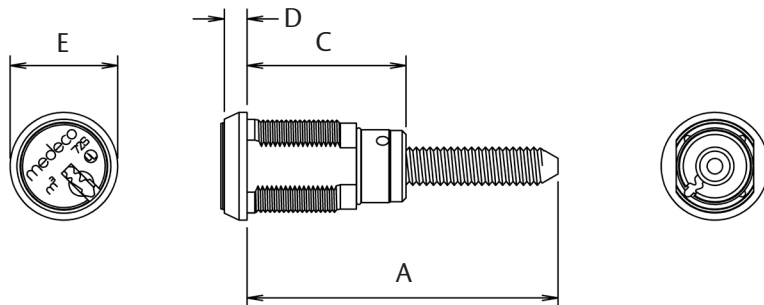
Mechanical Specifications:

- UL437 Listed
- Machined brass plug and outer shell
- Keyed alike or keyed different
- Master keyed with other cam lock style products
- Key retaining or two key pull
- Standard finish: brushed chrome
- Fits standard 3/4" standard cam lock hole prep

Keyways:

- Medeco Original
- Biaxial
- Medeco³

Part Number	Overall Length (A)	Body Length (C)	Head Thickness (D)	Head Diameter (E)	Number of Pins
63-0650	See Table	1.027 1	0.265 1/4	0.865 7/8	4
63-0750	See Table	1.278 1-1/4	0.183 3/16	0.865 7/8	5
63-0850	See Table	1.088 1-1/16	0.373 3/8	0.865 7/8	5



Threaded Extensions

Extension	Overall Length (A)	Lock Part Number		
		63 0650	63 0750	63 0850
M19	1.500 1-1/2	1.751 1-3/4	1.561 1-9/16	
M35	1.562 1-9/16	1.813 1-13/16	1.623 1-5/8	
M12	1.802 1-13/16	2.053 2-1/16	1.863 1-7/8	
M14	1.989 2	2.240 2-1/4	2.050 2-1/16	
M27	2.249 2-1/4	2.500 2-1/2	2.310 2-5/16	
M18	2.747 2-3/4	2.998 3	2.808 2-13/16	
M04	2.989 3	3.240 3-1/4	3.050 3-1/16	
M29	3.124 3-1/8	3.375 3-3/8	3.185 3-3/16	
M21	3.499 3-1/2	3.750 3-3/4	3.560 3-9/16	
M23	3.615 3-5/8	3.866 3-7/8	3.676 3-11/16	
M49	3.875 3-7/8	4.126 4-1/8	3.936 3-15/16	
M20	4.124 4-1/8	4.375 4-3/8	4.185 4-3/16	
M15	4.489 4-1/2	4.740 4-3/4	4.550 4-9/16	
M24	4.749 4-3/4	5.000 5	4.810 4-13/16	
M32	5.25 5-1/4	5.501 5-1/2	5.311 5-5/16	
M09	5.739 5-3/4	5.990 6	5.800 5-13/16	
M30	6.249 6-1/4	6.500 6-1/2	6.310 6-5/16	
M36	7.000 7	7.251 7-1/4	7.061 7-1/16	
M05	7.427 7-7/16	7.678 7-11/16	7.488 7 1/2	
M06	7.989 8	8.240 8-1/4	8.050 8-1/16	
M02	8.489 8-1/2	8.740 8-3/4	8.550 8-9/16	
M42	8.989 9	9.240 9-1/4	9.050 9-1/16	

Notes:

Lined writing area with horizontal rules



MEDECO U.S.: Medeco Engineered Security Solutions
3625 Alleghany Drive | P.O. Box 3075 | Salem, Virginia 24153-0330
Customer Service: 1-877-633-3261

MEDECO CANADA: 160 Four Valley Drive | Vaughan, ON L4K 4T9 CANADA
Customer Service: 1-888-633-3264

www.medeco.com/camlocks

ASSA ABLOY, the global leader in door opening solutions, dedicated to satisfying end-user needs for security, safety, and convenience.



facebook.com/medecolocks



twitter.com/medecolocks



youtube.com/medecolocks