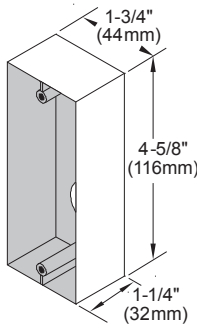
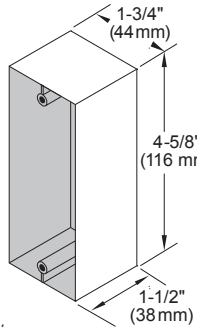
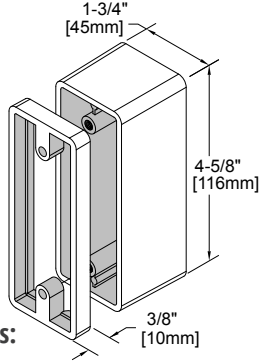


Surface and Flush Mounting Boxes

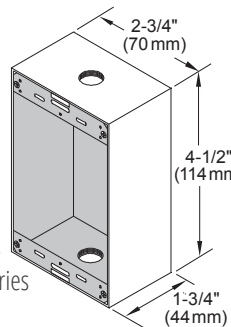
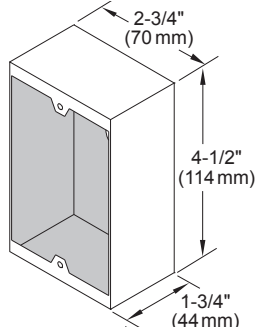
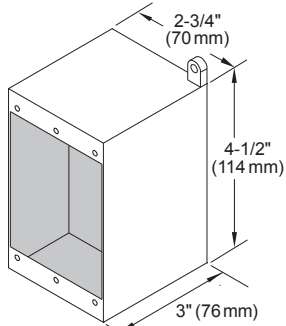
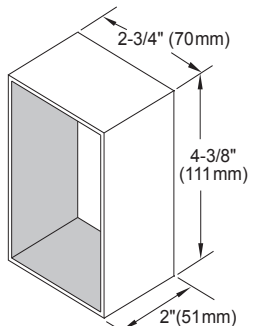
Features

- Industry's largest variety of mounting boxes, escutcheons, trim plates and sleeves.
- Flame and impact resistant polymer (ABS) models.
- Surface / flush mounting, indoor / outdoor and water tight applications.
- Heavy gauge stainless steel and aluminum models.

NARROW / JAMB MOUNTING BOXES

CM-23 Narrow / Jamb width	CM-23D Narrow / Jamb width, extra depth	CM-23DSER CM-23D with 3/8" spacer plate
<p>Type: Surface mount box</p> <p>Construction: Flame & impact resistant black polymer (ABS)</p> <p>Application: Indoor / outdoor, wired</p> <p>For Switch Series: CM-25, CM-250, CM-310</p> <p>Cover Plate: CM-23CP</p> 	<p>Type: Surface mount box</p> <p>Construction: Flame & impact resistant black polymer (ABS)</p> <p>Application: Indoor / outdoor, wired. Required for wireless.</p> <p>For Switch Series: CM-25, CM-170, CM-250, CM-310, CM-325N, CM-2200</p> 	<p>Type: Surface mount box</p> <p>Construction: Flame & impact resistant black polymer (ABS)</p> <p>Application: Indoor / outdoor, wired. Required for wireless.</p> <p>For Switch Series: CM-336</p> 

SINGLE GANG MOUNTING BOXES

CM-34AL Single gang, standard depth	CM-34BL Single gang, standard depth
<p>Type: Surface mount box, threaded conduit entry</p> <p>Construction: Heavy duty cast aluminum</p> <p>Application: Water tight, wired</p> <p>For Switch Series: CM-35, CM-180, CM-195, CM-280, CM-300, CM-324, CM-325, CM-336, CM-400, CM-4000, CM-5000, CM-700, CM-1100, CM-1200, supplied w/ CM-1000 Series</p> <p>Gasket: CM-120G</p> 	<p>Type: Surface mount box</p> <p>Construction: Double wall, black polymer (ABS)</p> <p>Application: Indoor, wired or wireless</p> <p>For Switch Series: CM-35, CM-180, CM-195, CM-280, CM-300, CM-324, CM-325, CM-336, CM-400, CM-700, CM-1200</p> <p>Gasket: CM-120G</p> <p>Cover Plate: CM-34CP</p> 
<p>CM-34D Single gang, extra depth</p> <p>Type: Surface mount box</p> <p>Construction: Heavy duty grey polymer</p> <p>Application: Indoor / outdoor, wired. Required for wireless</p> <p>For Switch Series: CM-30, CM-3000, CM-4085 / 5085 / 7085 / 8085</p> <p>Gasket: CM-120G</p> 	<p>CM-31 Single Gang</p> <p>Type: Sleeve for standard 2" x 4" surface electrical box</p> <p>Construction: Heavy gauge stainless steel</p> <p>Application: Adds brushed stainless steel finish to standard electrical box</p> <p>For Switch Series: CM-35, CM-180, CM-195, CM-300, CM-324, CM-325, CM-1200</p> 



SINGLE GANG MOUNTING BOXES

CM-CPC1 Single gang

Type:

Clear plastic protection cover

Construction:

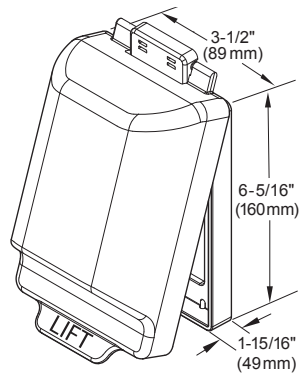
Molded polycarbonate

Application:

Indoor / outdoor

For Switch Series:

Any Camden single gang flush mounted Push/Exit Switch, Keypad/Key Switch



CM-RH-SG Single gang

Type: Flush mount rain hood

Construction:

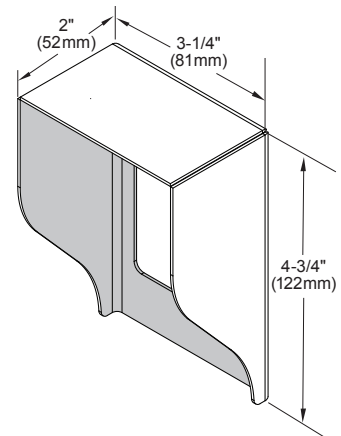
Heavy gauge stainless steel

Application:

Foam gasket between hood and mounting surface on irregular surfaces

For Switch Series:

Any Camden single gang flush mounted Push/Exit Switch, Keypad/Key Switch



DOUBLE GANG / SQUARE MOUNTING BOXES - SURFACE

CM-43LP Double gang, 2 pieces, shallow

Type: Surface mount box

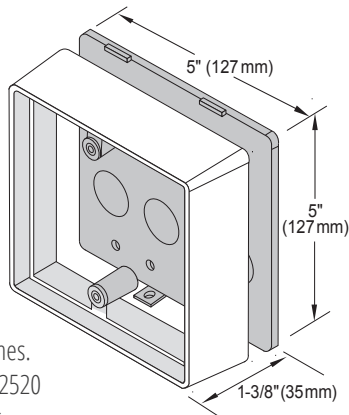
Construction: Provision for wireless, flame & impact resistant black polymer (ABS)

Application:

Indoor / outdoor

For Switch Series:

CM-41, CM-45, CM-46.
Add suffix 'A' for use with CM-324 / 325 / 330 Series double gang Hands Free Switches.
Add suffix 'B' for use with CM-2520 double gang vestibule switches



CM-43CBL / CBLA 5" Square, standard depth

Type: Surface mount box

Construction: Flame & impact resistant black polymer (ABS)

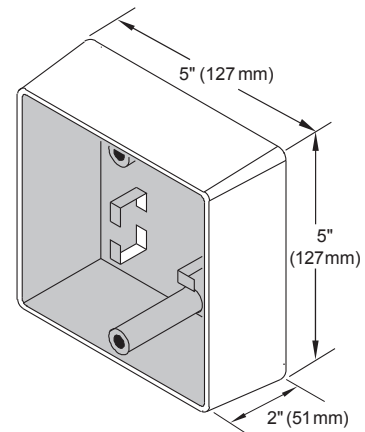
Application:

Indoor / outdoor, wired.
Required for wireless.

For Switch Series:

CM-41, CM-45, CM-46
CM-43CBLA: surface box for CM-324 / 325 / 336W switches

Cover Plate: CM-43CP



CM-53 5" Square, standard depth

Type:

Surface mount box

Construction:

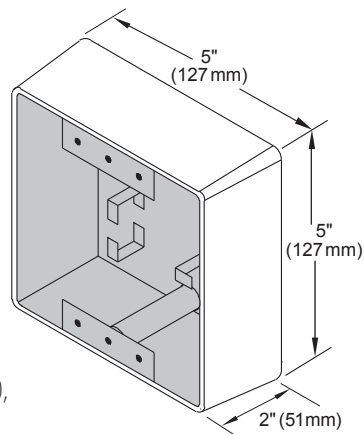
Flame & impact resistant black polymer (ABS)

Application:

Indoor / outdoor, for double gang switches and vestibule switches

For Switch Series:

CM-500, CM-2510, CM-2520, CM-3200, CM-3500



CM-54i 5-1/4" Square, standard surface depth

Type: AURA™: Illuminated surface box - CM-54i: Green/Red

Construction:

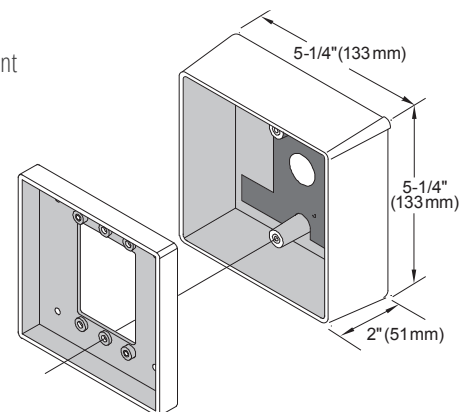
Flame & impact resistant black polymer (ABS)

Application:

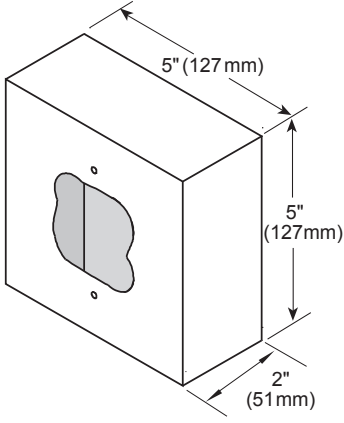
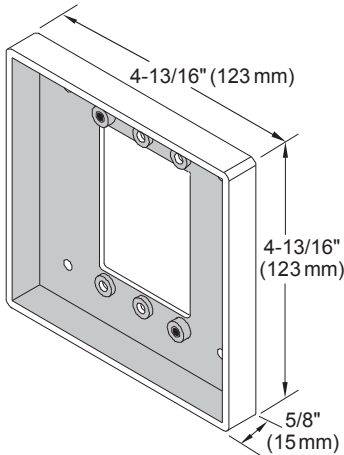
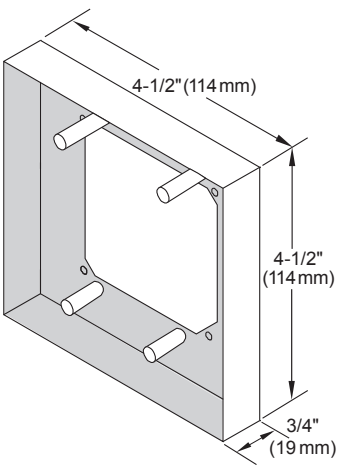
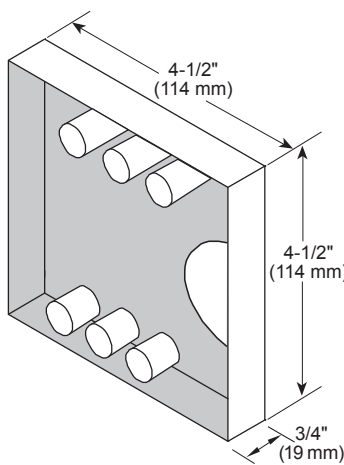
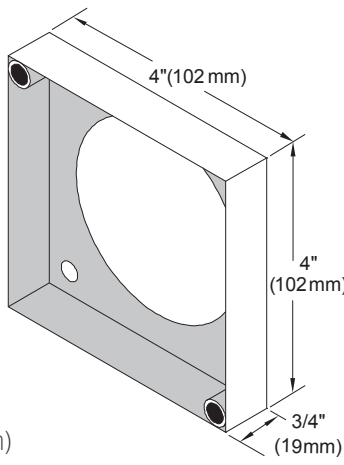
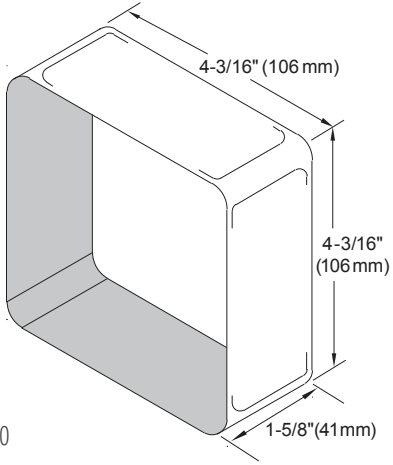
Surface 4-1/2" square push plate switch enclosure, room for wireless

For Switch Series:

CM-45, CM-46, SPDT models only



DOUBLE GANG / SQUARE MOUNTING BOXES - SURFACE

<p>CM-63CBL 5" Square, standard depth</p> <p>Type: Surface mount box</p> <p>Construction: Flame & impact resistant black polymer (ABS)</p> <p>Application: Indoor / outdoor, wired. Required for wireless.</p> <p>For Switch Series: CM-41, CM-60, CM-3200</p> 	<p>CM-540B Double gang, shallow</p> <p>Type: Semi-flush mount box</p> <p>Construction: Flame & impact resistant black polymer (ABS)</p> <p>Application: Indoor / outdoor, wired</p> <p>For Switch Series: CM-41, CM-45, CM-46</p> 
<p>CM-48AL Double gang, shallow</p> <p>Type: Surface mount box</p> <p>Construction: Anodized aluminum</p> <p>Application: Indoor / outdoor, wired</p> <p>For Switch Series: CM-41, CM-45, CM-46 (Requires CM-49C adaptor plate, sold separately)</p> 	<p>CM-44 Double gang, shallow</p> <p>Type: Offset surface mount box</p> <p>Construction: Stainless steel</p> <p>Application: For mounting 4-1/2" square switches on narrow jambs, indoor/outdoor, wired</p> <p>For Switch Series: CM-41, CM-45, CM-46</p> 
<p>CM-68AL/BZ Double gang, shallow</p> <p>Type: Surface mount box</p> <p>Construction: Anodized aluminum finish or CM-68BZ Anodized dark bronze finish</p> <p>Application: Indoor / outdoor, wired</p> <p>For Switch Series: CM-60 (Requires CM-49C adaptor plate, sold with switch)</p> 	<p>CM-67 Double gang</p> <p>Type: Sleeve for standard 4" x 4" surface electrical box</p> <p>Construction: Heavy gauge stainless steel</p> <p>Application: Adds brushed SS finish to standard electrical box</p> <p>For Switch Series: CM-41, CM-45, CM-46, CM-60</p> 



DOUBLE GANG / SQUARE MOUNTING BOXES - SURFACE

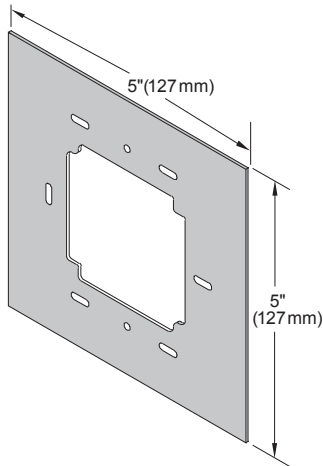
CM-440 Double gang

Type: 5" flush dress plate

Construction: Stainless steel

Application: For mounting 4-1/2" round switch on standard single and double gang electrical box

For Switch Series: CM-40



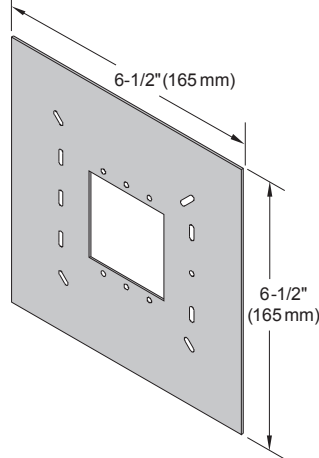
CM-660 Double gang

Type: 6-1/2" flush dress plate

Construction: Stainless steel

Application: For mounting switches on standard single, double gang and 4" square electrical boxes

For Switch Series: CM-45, CM-46, CM-60



CM-49C Double gang

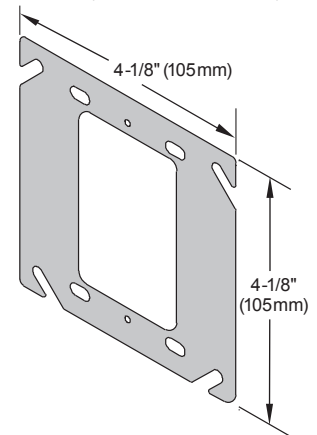
Type: Adapter plate

Construction: Galvanized steel

Application: For mounting CM-41, CM-45, CM-60 switches on double gang and 4" square mounting boxes

For Switch Series:

CM-45, CM-46 (included with CM-60)



DOUBLE GANG / SQUARE MOUNTING BOXES - FLUSH

CM-55i 6-1/2" Square, flush

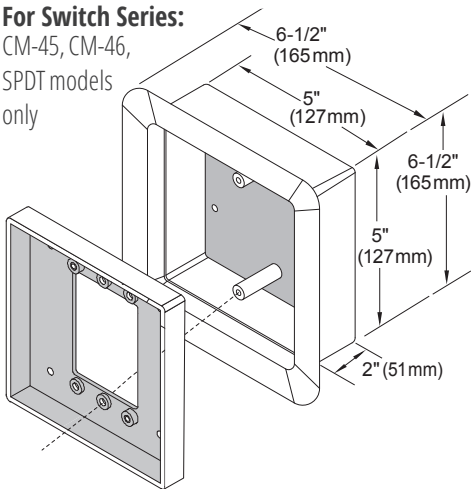
Type: AURA™: Illuminated flush box, CM-55i: Green/Red

Construction: Flame & impact resistant black polymer (ABS)

Application: Flush 4-1/2" square push plate switch enclosure, room for wireless

For Switch Series:

CM-45, CM-46, SPDT models only



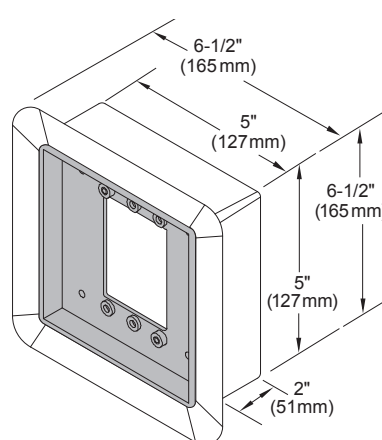
CM-55CBL 6-1/2" Square, flush

Type: Flush mount box, 2 pieces

Construction: Flame & impact resistant black polymer (ABS)

Application: Indoor / outdoor

For Switch Series: CM-45, CM-46, SPDT models only



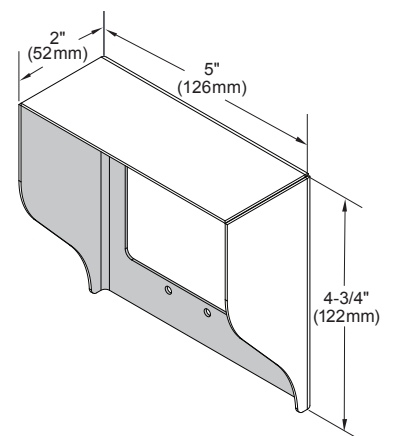
CM-RH-DG Double gang

Type: Flush mount rain hood

Construction: Heavy gauge stainless steel

Application: Foam gasket between hood and mounting surface on irregular surfaces

For Switch Series: Any Camden double gang flush mounted Push/Exit Switch, Keypad / Key Switch



4-1/2" ROUND MOUNTING ENCLOSURES - SURFACE

CM-47S 5" Round, standard depth

Type:

Surface mount box

Construction:

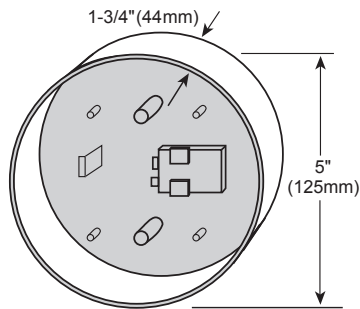
Flame & impact resistant black polymer (ABS)

Application:

Indoor / outdoor, wired / wireless

For Switch Series:

CM-40



CM-570B 4-11/16" Semi-flush, mounting box

Type:

Semi-flush mount box

Construction:

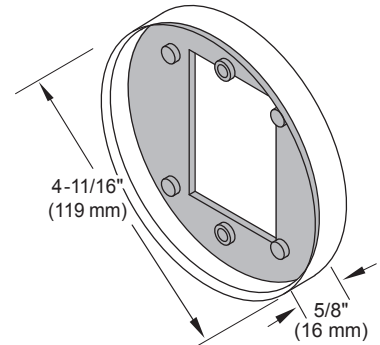
Flame & impact resistant, black polymer (ABS)

Application:

Indoor / outdoor, wired

For Switch Series:

CM-40



NEW

CM-47SER For 4-1/2" round switches, optional extension ring

Type: Surface mount box and optional extension ring

Construction: Flame & impact resistant, black polymer (ABS)

Application: Indoor / outdoor, wired, or wireless

- **CM-47S:** Surface Mount Box, for 4-1/2" push plate switches
Provision for Lazerpoint RF™ battery powered wireless transmitter

- **CM-47-ADP1:**

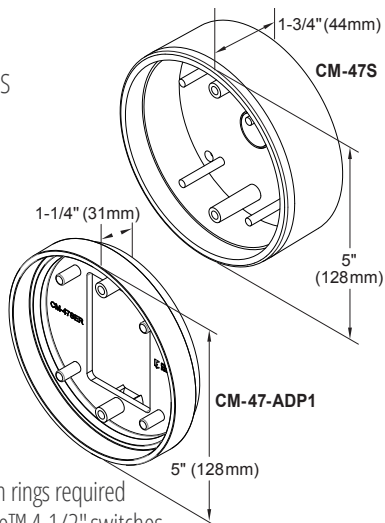
Retrofit extension ring and hardware for CM-47S mounting box. Required for Kinetic™ no-battery wireless switch

- **CM-47SER:**

Surface mount box and extension ring for 4-1/2" push plate switches

For Switch Series:

CM-40, CM-40K, CM-324, CM-325, CM-336, CM-331, CM-332, CM-333. Extension rings required for Kinetic™ and SureWave™ 4-1/2" switches



CM-49 8-3/4" Round, 1-13/16" depth

Type: 2 pieces surface / semi flush. Gasket and adapter plate included

Construction: Flame & impact resistant, black polymer (ABS)

Application: Indoor/outdoor, wired/wireless

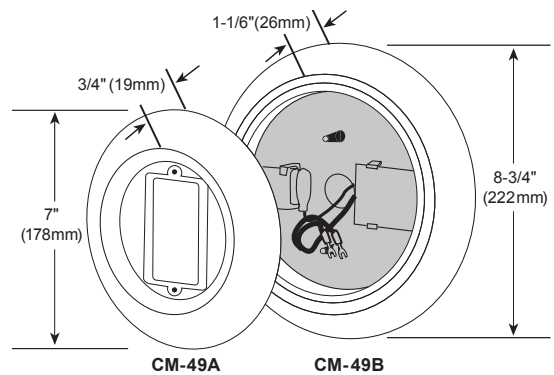
- **CM-49A:** Semi flush on single gang electrical box

- **CM-49B:** Used with CM-49A

- **CM-49C:** Adapter plate for double gang and 4" square box

- **CM-49G:** Gasket

For Switch Series: CM-40



CM-59S 7-3/4" Round, standard depth

Type:

Surface mount escutcheon

Construction:

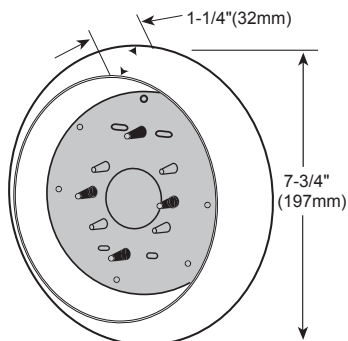
Heavy gauge stainless steel

Application:

Vandal resistant, Indoor / outdoor, wired

For Switch Series:

CM-40



4-1/2" ROUND MOUNTING ENCLOSURES - FLUSH

CM-57GR 6-5/8" Round, flush

Type: AURA™ Illuminated flush box

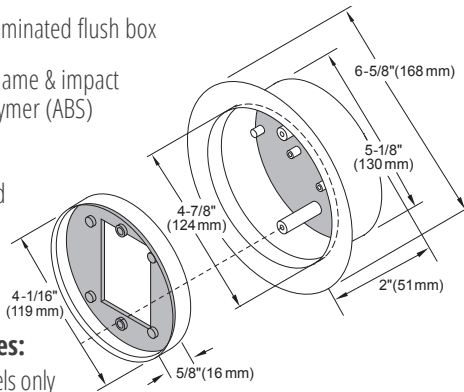
Construction: Flame & impact resistant black polymer (ABS)

Application:

Flush 4-1/2" round push plate switch enclosure, room for wireless

For Switch Series:

CM-40, SPDT models only



CM-57CBL 6-5/8" Round, flush

Type:

Flush mount box, 2 pieces

Construction:

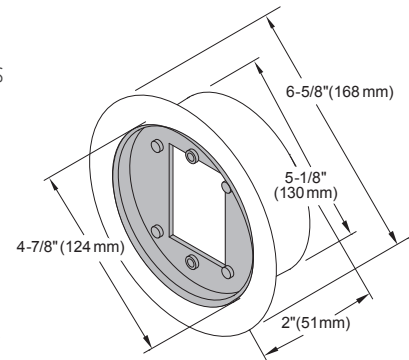
Flame & impact resistant black polymer (ABS)

Application:

Indoor / outdoor

For Switch Series:

CM-40, SPDT models only



6" ROUND MOUNTING ENCLOSURES - SURFACE

CM-69S 6-1/2" round, standard depth

Type: Surface mount box

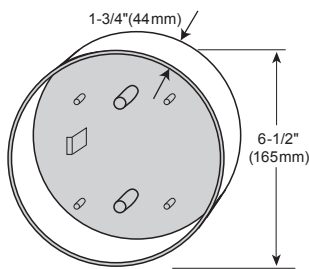
Construction:

Flame & impact resistant black polymer (ABS)

Application:

Indoor / outdoor, wired/wireless

For Switch Series: CM-60



CM-89S 9-5/8" round, standard depth

Type: Surface mount escutcheon

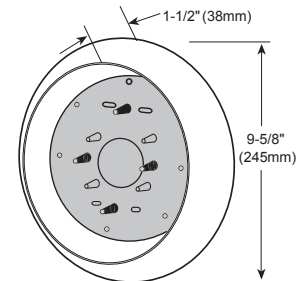
Construction:

Heavy gauge stainless steel

Application:

Vandal resistant, indoor/outdoor, wired

For Switch Series: CM-60



NEW

CM-69SER For 6" round switches, optional extension ring

Type: Surface mount box and optional extension ring

Construction: Flame & impact resistant black polymer (ABS)

Application: Indoor/outdoor, wired, or wireless, manual or touchless

- **CM-69S:** Surface Mount Box, for 4-1/2" push plate switches
Provision for Lazerpoint RF™ battery powered wireless transmitter

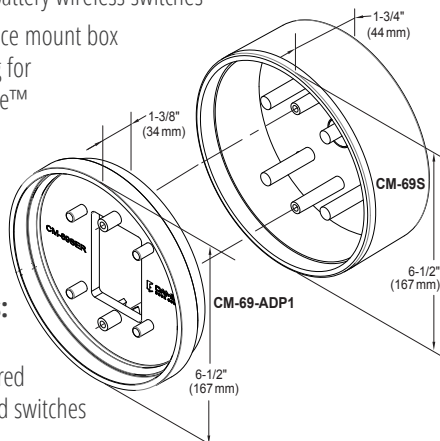
- **CM-69-ADP1:** Retrofit extension ring and hardware for CM-69S mounting box. Required for SureWave™ touchless switches and Kinetic™ no-battery wireless switches

- **CM-69SER:** Surface mount box and extension ring for 6" round SureWave™ touchless switches and Kinetic™ no-battery wireless switches

For Switch Series:

CM-60, CM-60K

Extension rings required for Kinetic™ 6" round switches



CM-79 9-5/8" round, 1-13/16" depth

Type: 2 pcs. surface and semi flush mount escutcheon, gasket and adapter plate included

Construction: Flame & impact resistant black polymer (ABS)

Application: Vandal resistant, indoor/outdoor

- **CM-79A:** Semi-flush mounting on single gang electrical box, wired

- **CM-79B:** Surface mount. Wired / wireless. Must be used with CM-79A

- **CM-79C:** Adapter plate to mount CM-79A on double gang and 4" square electrical box

- **CM-79G:** Gasket for CM-79A or CM-79B

For Switch Series: CM-60

