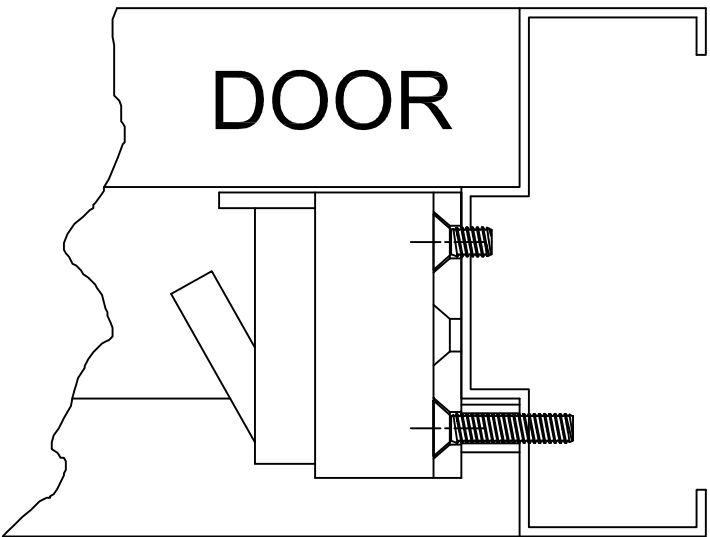
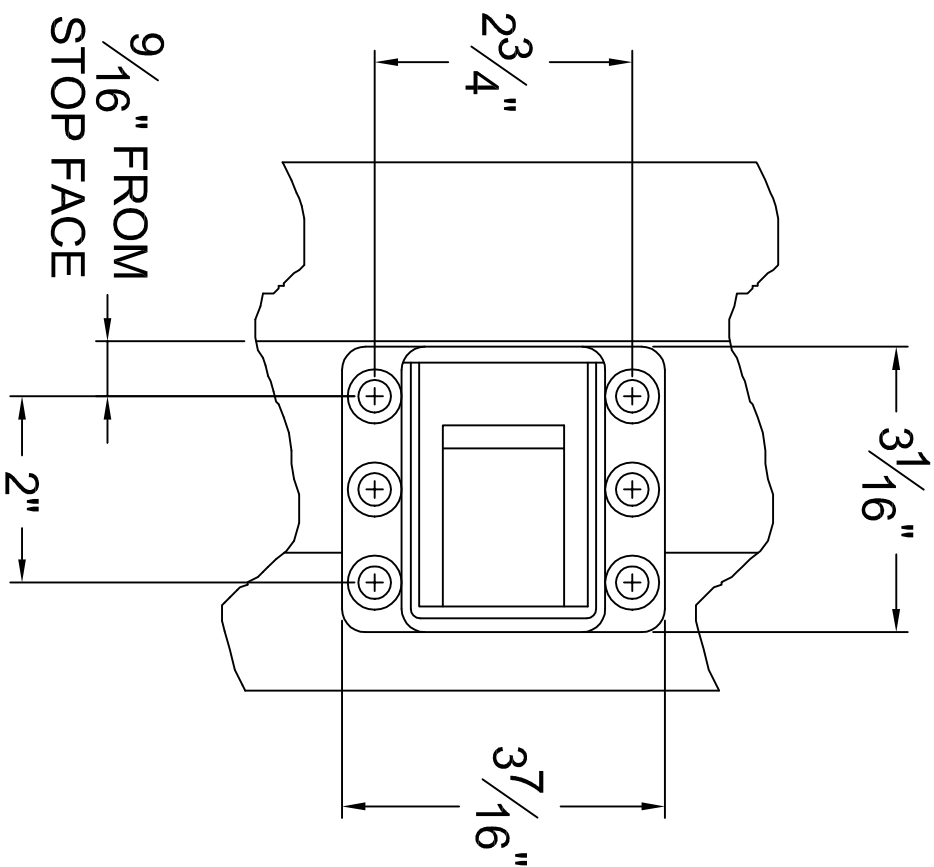


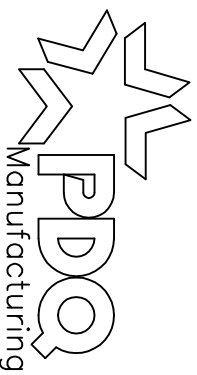
9200 Mullion Top Bracket



SIDE VIEW



FROM BOTTOM



PO Box 507
2754 Creek Hill Rd.
Leola, PA 17540
ph. (717) 656-4281
fax (717) 656-8749