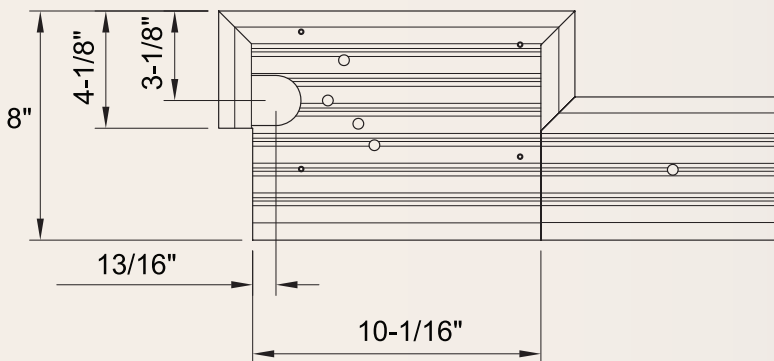


# CUSTOM FABRICATED THRESHOLDS AND FLOOR CLOSER COVERS

Welded Assemblies, Bulkhead Covers and Floor Closer Covers  
are Available for Special Applications.



## Welded Assemblies

- Various widths available
- Aluminum, Architectural Bronze, or Stainless Steel

## Bulkhead Covers

- Break Pressed Aluminum or Stainless Steel
- Welded Aluminum Bulkhead Assemblies

## Floor Closer Covers

- Type 1 or 4 for center hung applications
- Type 3 or 5 for offset hung applications
- Aluminum, Architectural Bronze, or Stainless Steel

Custom notching and drilling available  
Detailed drawings provided  
Contact us for a quote and lead time